

# FPM-7151W

## 15.6" WXGA Industrial Monitor with PCAP Touch Control, Direct VGA, and DVI Ports



### Features

- 15.6" WXGA TFT LED LCD with true-flat touchscreen
- 16:9 widescreen aspect ratio, increases viewing area by 40%
- Supports 10-point multi-touch control via USB interface in Windows 7/8/10 OS
- Slim design enables easy installation
- Supports various mount options: panel, wall, desktop, and VESA arm
- Touchscreen with reliable glass surface and PCAP touch control
- Robust system with SECC chassis and IP66-rated magnesium alloy front panel
- OSD control buttons on rear panel
- Lockable I/O connectors

### Introduction

The FPM-7151W is an industrial-grade, widescreen monitor with sleek, simple lines and a true-flat touchscreen. Equipped with PCAP 10-point multi-touch control and an IP66-rated front bezel, FPM-7151W is designed for intuitive operation in harsh industrial environments. Moreover, FPM-7151W supports a range of mount options to ensure easy, single-person installation.

### Specifications

#### General

- **OSD Controls** OSD control buttons on rear panel
- **Certification** BSMI, CCC, CE, FCC Class A, UL
- **Dimensions (W x H x D)** 419.7 x 269 x 47.7 mm (16.52 x 10.59 x 1.88 in)
- **Enclosure** Front panel: Die cast magnesium alloy  
Rear cover: SECC
- **Mount Options** Panel, wall, desktop, VESA (MIS,100,C)
- **Power Input** Phoenix Jack: 24 V<sub>DC</sub> input
- **Power Consumption** 20 W + 20%
- **Video Port** VGA & DVI-D
- **Weight (Net)** 5 kg (11 lb)

#### LCD Display

- **Display Type** WXGA TFT LED LCD
- **Display Size** 15.6"
- **Max. Resolution** 1366 x 768
- **Max. Color** 16.7M
- **Viewing Angle (H/V °)** 170/160
- **Luminance (cd/m<sup>2</sup>)** 300
- **Backlight Life** 50,000 hr
- **Contrast Ratio** 500:1

#### Touchscreen

- **Type** Projected capacitive touch
- **Interface** RS-232 and USB
- **Light Transmission** Above 75%
- **OS Support** Windows XP, Vista, 7, 8, 10, XPe and Linux
- **Multi Touch** 10 points, USB interface in Win 7/8/10, Linux 7H
- **Hardness** 7H

#### Environment

- **Operating Temperature** 0 ~ 55 °C (32 ~ 131 °F)
- **Storage Temperature** -20 ~ 60 °C (-4 ~ 140 °F)
- **Humidity (Storage)** 10 ~ 90% non-condensing
- **IP Rating** Front panel is IP66 compliant
- **Vibration** 5 ~ 500 Hz, 1 Grms (Operating, Random)

### Ordering Information

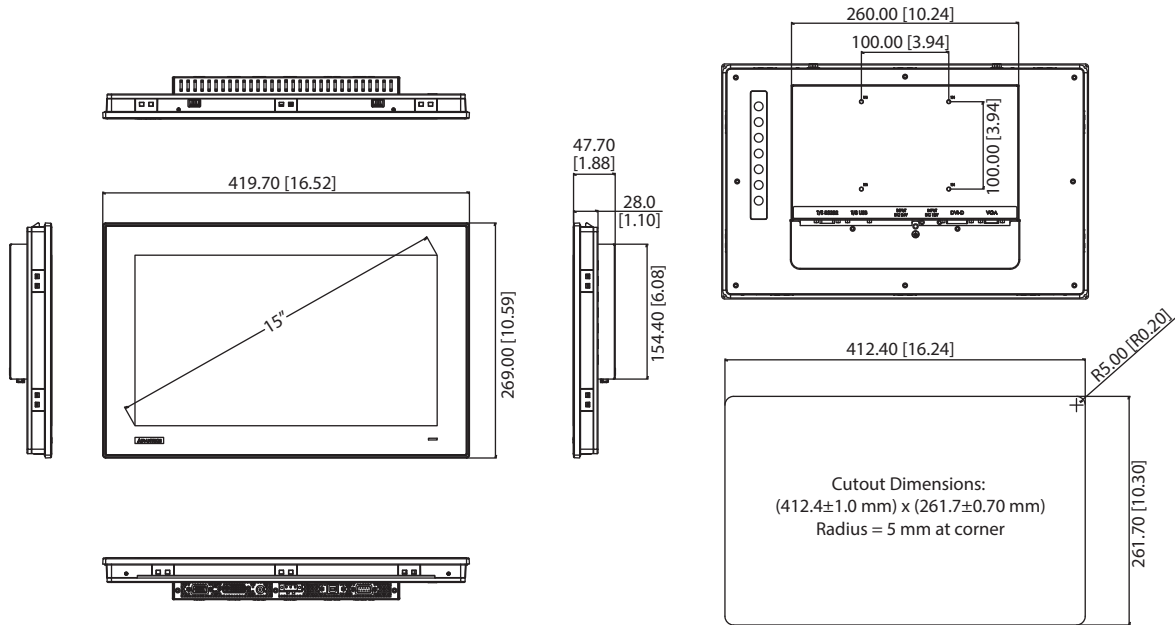
- **FPM-7151W-P3AE** 15.6" WXGA Ind Monitor w/PCT TS (VGA/DVI)

### Optional Accessories

- **1702002600** Power Cable US Plug 1.8 M
- **1702002605** Power Cable EU Plug 1.8 M
- **1702031801** Power Cable UK Plug 1.8 M
- **1700000596-11** Power Cable China/Australia Plug 1.8 M
- **FPM-1000T-SMKE** Desktop/Wall Mounting kit for FPM series
- **96PSA-A60W24T2** Adapter 100-240V 60W 24V 2.5A

## Dimensions

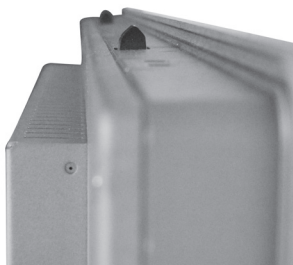
Unit: mm [inch]



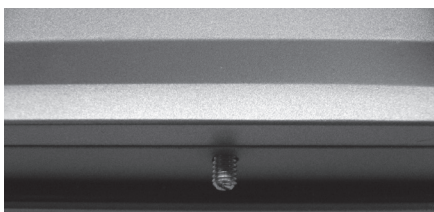
**Panel Cutout Dimensions: 412.40 x 261.70 mm (16.24 x 10.30 in)**

## Easy Installation

Snap hook in rear cover



Stopper screw in rear cover



## Rear View

