

Speed Controller with One-touch Fitting Elbow Type/Universal Type

Series AS

Minimizes installation time and cost

Reduces the mounting height and enables compact machinery design. Effective area is larger than the former model.

Tube swivels 360°

Universal type permits 360° piping swivel.

ø2 size added to applicable tubing sizes

- **Metric size** (Release button: White color)
ø2, ø3.2, ø4, ø6, ø8, ø10, ø12
- **Inch size** (Release button: Orange color)
ø1/8", ø5/32", ø3/16", ø1/4", ø5/16", ø3/8", ø1/2"

Maximum operating pressure 1 MPa max.

Applicable tubing materials

Nylon, soft nylon, and polyurethane tubing are applicable.

Retainer prevents accidental loss of needle.

Option

Hexagonal lock nut, Nickel plated option

Number of needle rotations has been increased (8 to 10 turns)

The increased number of needle rotations (8 to 10 turns) permits easy control at low speeds.

Model

Elbow type	Universal type	Port size	Applicable tubing O.D.												Applicable cylinder bore size (mm)			
			Metric size						Inch size									
			2	3.2	4	6	8	10	12	1/8"	5/32"	3/16"	1/4"	5/16"		3/8"	1/2"	
AS12□1F-M3	AS13□1F-M3	M3 x 0.5	● ⁽²⁾	●	●							●	●					2.5, 4, 6
AS12□1F-M5	AS13□1F-M5	M5 x 0.8	● ⁽²⁾	●	●	●						●	●	●	●			6, 10, 16, 20 ⁽¹⁾
AS12□1F-U10/32	AS13□1F-U10/32	10-32 UNF		●	●	●						●	●	●	●			6, 10, 16, 20
AS22□1F-01	AS23□1F-01	R 1/8		●	●	●	●	● ⁽²⁾				●	●	●	●			20, 25, 32
AS22□1F-02	AS23□1F-02	R 1/4			●	●	●	●				●	●	●	●			20, 25, 32, 40
AS32□1F-02	AS33□1F-02	R 1/4				●	●	●	●				●	●	●			40, 50, 63
AS32□1F-03	AS33□1F-03	R 3/8					●	●	●	●				●	●	●		40, 50, 63
AS42□1F-04	AS43□1F-04	R 1/2							●	●						●	●	63, 80, 100

Note 1) AS12□1F-M5-02 applicable cylinder bore sizes are 2.5, 4, 6.

Note 2) Elbow type only

Note 3) Meter-out and meter-in types can be visually differentiated by the lock nut. The lock nut on the meter-out type is electroless nickel plated, while the meter-in type is black zinc chromate plated.

Note 4) ● Marking is electroless nickel plated, provided as standard. (N specifications)

Specifications

Fluid	Air
Proof pressure	1.5 MPa (1.05 MPa ⁽¹⁾)
Max. operating pressure	1 MPa (0.7 MPa ⁽¹⁾)
Mini. operating pressure	0.1 MPa
Ambient and fluid temperature	-5 to 60°C (No freezing)
Number of needle rotations	10 turns (8 turns ⁽²⁾)
Applicable tubing material ⁽³⁾	Nylon, Soft nylon, Polyurethane ⁽⁴⁾
Option	With seal, Hexagon lock nut ⁽⁵⁾ , Electroless nickel plated ⁽⁶⁾

Note 1) In case of AS12□1F-M3-02, AS12□1F-M5-02

Note 2) In case of AS12□1F-M5 and AS12□1F-U10/32 types.

In case of AS13□1F-M5 and AS13□1F-U10/32

AS12□1F-M5-02: 10 turns.

Note 3) Use caution regarding the max. operating pressure when soft nylon or polyurethane tubing is used. (Refer to pages 371 and 372 for details.)

Note 4) In case of AS12□1F-M3-02 and AS12□1F-M5-02, polyurethane only.

Note 5) M3, M5, 10-32UNF type ports are not available with seals.

Note 6) Brass parts are all electroless nickel plated.

Flow Rate and Effective Area

Model	AS12□1F-M3 AS13□1F-M3 AS12□1F-M5-02	AS12□1F-M5 AS13□1F-M5	AS22□1F-01 AS23□1F-01	AS22□1F-02 AS23□1F-02	AS32□1F AS33□1F	AS42□1F AS43□1F						
	Tubing O.D.	Metric size ø2, ø3.2, ø4	ø3.2, ø4, ø6	ø3.2, ø4 ø6, ø8, ø10	ø4 ø6 ø8, ø10	ø6 ø8 ø10, ø12	ø10 ø12					
	Inch size ø1/8", ø5/32"	ø1/8", ø3/16" ø1/4", ø5/32"	ø1/8", ø3/16", ø1/4", ø5/32" ø5/16"	ø5/32" ø3/16" ø1/4", ø5/16", ø3/8"	ø1/4", ø5/16" ø3/8"	ø3/8" ø1/2"						
Controlled flow (Free flow)	Flow rate L/min (ANR)	20	100	180	230	390	460	660	790	920	1580	1710
	Effective area (mm ²)	0.3	1.5	2.7	3.5	4	6	7	10	12	14	24

Note 1) Flow rate values are measured at 0.5 MPa and 20°C.

Note 2) U10/32 has the same specification as M5.

Elbow type

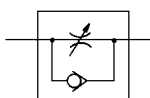
Applicable tubing O.D. ø2



Universal type



JIS Symbol



Flow Direction Symbols on Body

	Meter-out type	Meter-in type
Symbol		
JIS Symbol		

Caution

Be sure to read before handling.
Refer to front matters 58 and 59 for Safety Instructions and pages 412 to 414 for Flow Control Equipment Precautions.



Made to Order
(Refer to page 422 for details.)

How to Order

AS 2 2 0 1F - [] 01 - 06 S - []

Body size

1	M3, M5 standard
2	1/8, 1/4 standard
3	3/8 standard
4	1/2 standard

Type

2	Elbow
3	Universal

Control type

0	Meter-out
1	Meter-in

With One-touch fitting

Thread type

Nil	Metric thread (M3, M5)
	Unified thread (10-32 UNF)
N	R
	NPT

Made to Order
(Refer to page 422 for details.)

Option

Nil	None
S	With seal
K	Hexagonal lock nut
N	Electroless nickel plated

*1 If more than one option is required, write option part numbers in the order of "S", "K", "N".
*2 M3, M5, and U10/32 are not available with seals.

Applicable tubing O.D.

Metric size	Inch size
02	ø2
23	ø3.2 [*]
04	ø4
06	ø6
08	ø8
10	ø10
12	ø12
01	ø1/8"
03	ø5/32"
05	ø3/16"
07	ø1/4"
09	ø5/16"
11	ø3/8"
13	ø1/2"

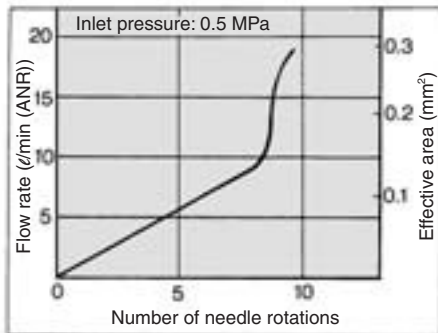
*Use ø1/8" tube.

Port size

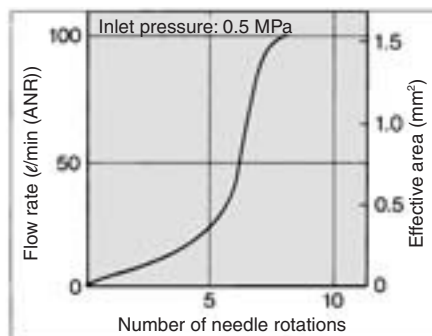
M3	M3 x 0.5
M5	M5 x 0.8
U10/32	10-32 UNF
01	1/8
02	1/4
03	3/8
04	1/2

Needle Valve/Flow Characteristics

**AS1201F-M3, AS1211F-M3
AS1301F-M3, AS1311F-M3
AS1201F-M5-02, AS1211F-M5-02**

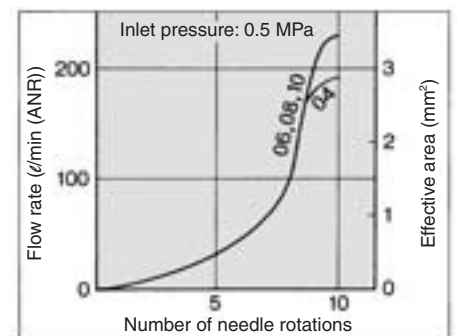


**AS1201F-M5, AS1211F-M5
AS1301F-M5, AS1311F-M5**

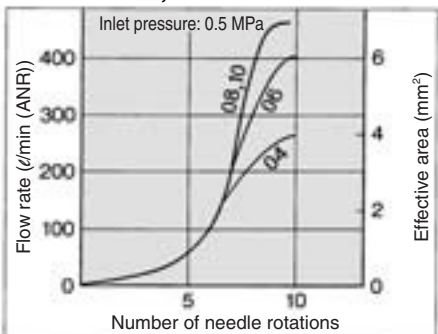


Note) "-U10/32" is the same as "M5".

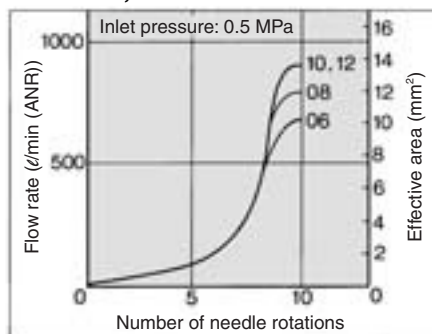
**AS2201F-01, AS2211F-01
AS2301F-01, AS2311F-01**



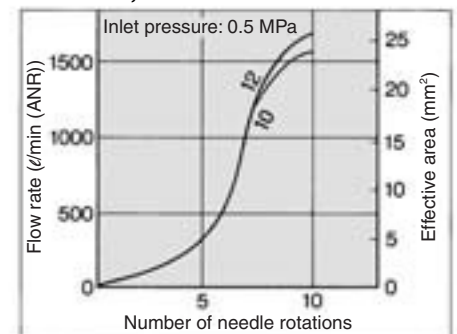
**AS2201F-02, AS2211F-02
AS2301F-02, AS2311F-02**



**AS3201F, AS3211F
AS3301F, AS3311F**



**AS4201F, AS4211F
AS4301F, AS4311F**

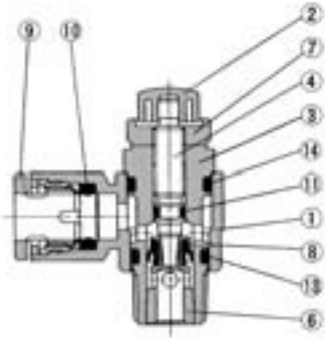


- AS
- ASP
- ASN
- AQ
- ASV
- AK
- VCHC
- ASS
- ASR
ASQ
- KE
- TMH

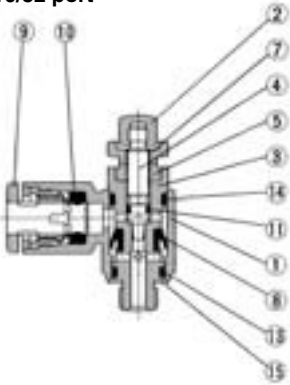
Series AS

Construction

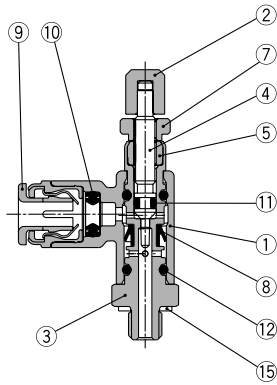
Elbow type Meter-out type



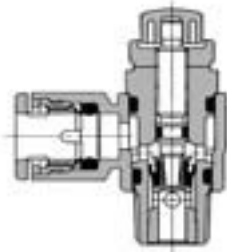
M3 port M5 port U10/32 port



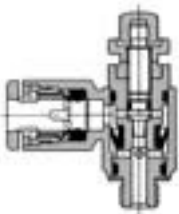
ø2 tubing type



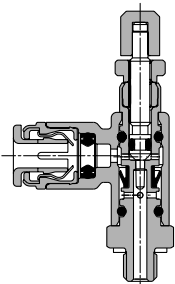
Meter-in type



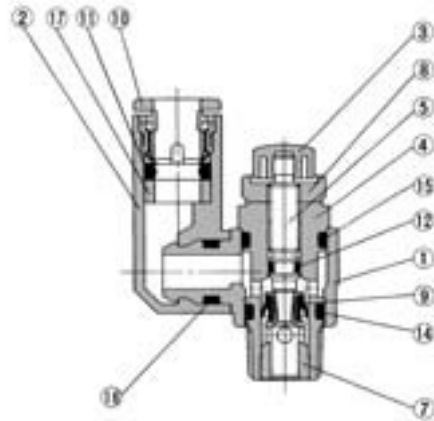
M3 port M5 port U10/32 port



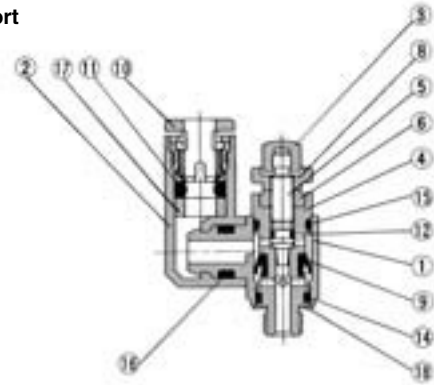
ø2 tubing type



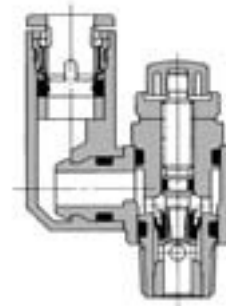
Universal type Meter-out type



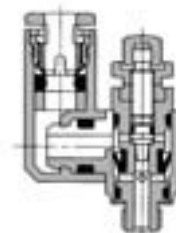
M3 port M5 port U10/32 port



Meter-in type



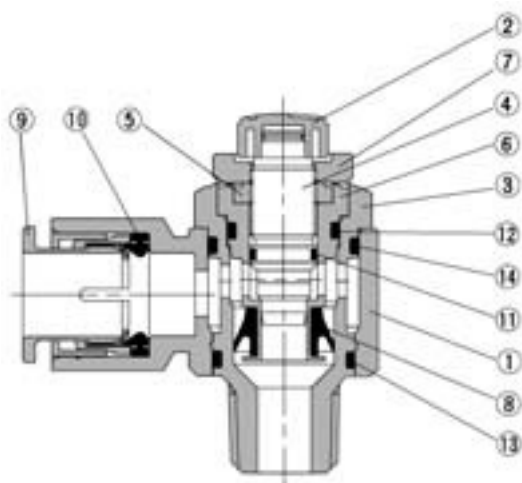
M3 port M5 port U10/32 port



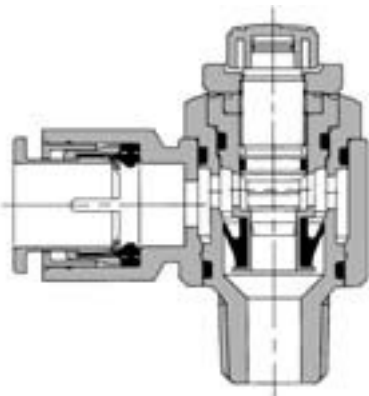
Construction

Elbow type

Meter-out type AS3201F-02



Meter-in type AS3211F-02



Component Parts

No.	Description	Material	Note
1	Body A	PBT	
2	Handle	PBT ⁽¹⁾	
3	Body B	Brass ⁽²⁾	Electroless nickel plated
4	Needle	Brass	Electroless nickel plated
5	Needle guide	Brass	Electroless nickel plated
6	Seat ring	Brass	⁽³⁾
7	Lock nut	Brass ⁽⁴⁾	Electroless nickel plated ⁽⁵⁾
8	U-packing	HNBR	
9	Cassette	—	
10	Seal	NBR	
11	O-ring	NBR	
12	O-ring	NBR	
13	O-ring	NBR	
14	O-ring	NBR	
15	Gasket	NBR, Stainless steel	

Note 1) AS12□1F-M3-02 and AS12□1F-M5-02 are made of electroless nickel plated brass.

Note 2) AS12□1F-M3 is made of stainless steel.

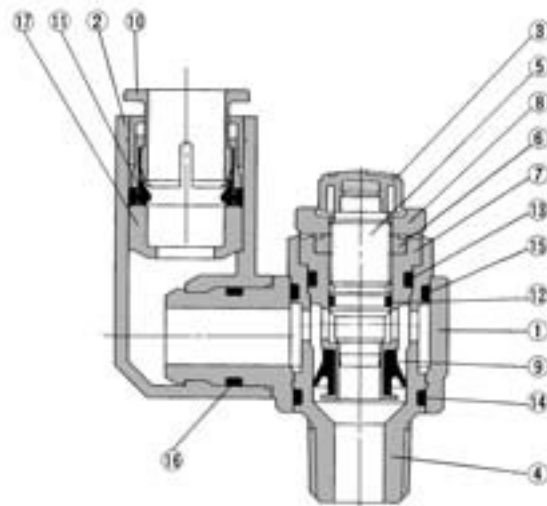
Note 3) AS22□1F, AS32□1F-02: Electroless nickel plated.

Note 4) AS2□□1F type is made of steel.

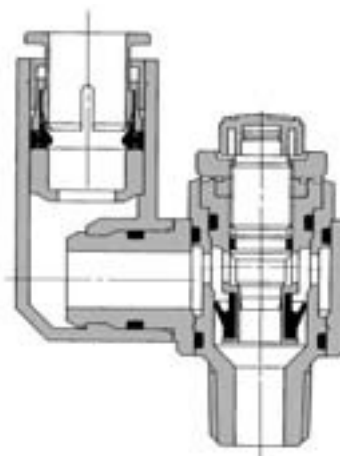
Note 5) Meter-in type is black zinc chromate plated.

Universal type

Meter-out type AS3301F-02



Meter-in type AS3311F-02



Component Parts

No.	Description	Material	Note
1	Body A	PBT	
2	Elbow body	PBT	
3	Handle	PBT	
4	Body B	Brass ⁽¹⁾	Electroless nickel plated
5	Needle	Brass	Electroless nickel plated
6	Needle guide	Brass	Electroless nickel plated
7	Seat ring	Brass	⁽²⁾
8	Lock nut	Brass ⁽³⁾	Electroless nickel plated ⁽⁴⁾
9	U seal	HNBR	
10	Cassette	—	
11	Seal	NBR	
12	O-ring	NBR	
13	O-ring	NBR	
14	O-ring	NBR	
15	O-ring	NBR	
16	O-ring	NBR	
17	Spacer	—	
18	Gasket	NBR, Stainless steel	

Note 1) AS13□1F-M3 is made of stainless steel.

Note 2) AS23□1F, AS33□1F-02: Electroless nickel plated.

Note 3) AS2□□1F type is made of steel.

Note 4) Meter-in type is black zinc chromate plated.

AS

ASP

ASN

AQ

ASV

AK

VCHC

ASS

ASR
ASQ

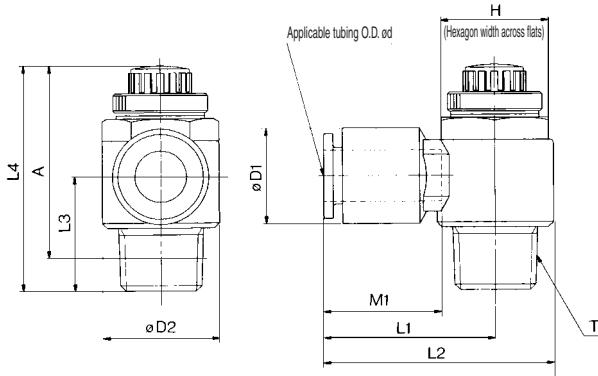
KE

TMH

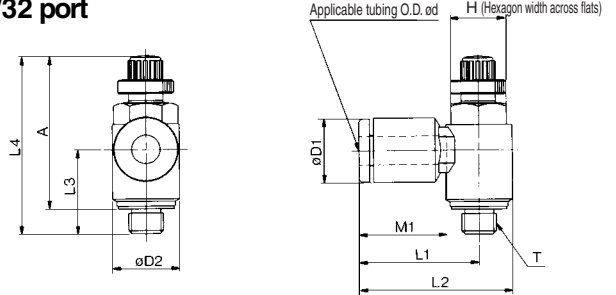
Series AS



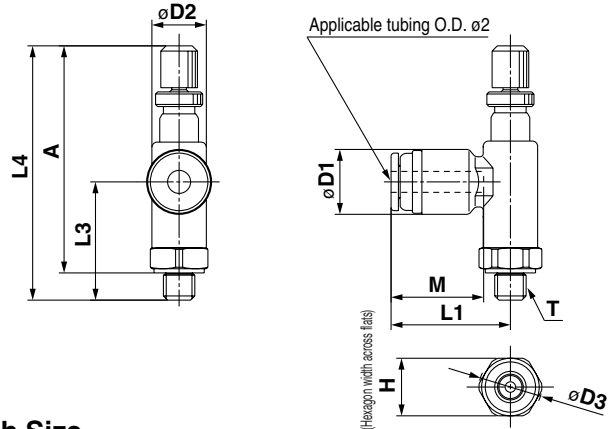
Elbow Type



M3 port M5 port U10/32 port



ø2 tubing type AS12□1F-M3-02 AS12□1F-M5-02



Metric Size

Model	Applicable tubing O.D. ød	T	H (1)	D1	D2	D3	L1	L2	L3	L4 (3)		A (2)		M1	Mass (g)
										Max.	Min.	Max.	Min.		
AS12□1F-M3-02	2	M3 x 0.5	5.5	6	5.2	6	11.4	—	11	26.8	24.3	24.3	21.8	8.8	2.4
AS12□1F-M5-02		M5 x 0.8	7							7.5	27.3				
AS12□1F-M3-23	3.2	M3 x 0.5	5.5	8.4	7.2	—	16.1	19.7	10.5	26.6	24.1	24	21.5	12.7	4
AS12□1F-M3-04			4												
AS12□1F-M5-23	3.2	M5 x 0.8	8.4	—	—	—	17.3	22.1	—	—	—	—	—	12.7	7
AS12□1F-U10/32-23															
AS12□1F-M5-04	4	M5 x 0.8	9.3	9.6	—	—	17.3	22.1	—	28.6	25.8	25	22.2	—	7
AS12□1F-U10/32-04															
AS12□1F-M5-06	6	M5 x 0.8	11.6	—	—	—	18.1	22.9	11.7	—	—	—	—	13.5	—
AS12□1F-U10/32-06															
AS22□1F-01-23	3.2	1/8	12	11.6	14.2	—	20.4	27.5	—	—	—	—	—	12.7	16
AS22□1F-01-04	4														
AS22□1F-01-06	6	12	15.2	—	—	—	20.4	27.5	13.4	35.2	30.2	32.1	27.1	13.5	17
AS22□1F-01-08	8														
AS22□1F-01-10	10	18.5	32.1	39.2	14.1	—	—	—	—	—	—	—	—	21	21
AS22□1F-02-04	4	1/4	17	12.8	18.5	—	25.2	34.4	17.7	39.9	34.9	34.4	29.4	16	32
AS22□1F-02-06	6														
AS22□1F-02-08	8	15.2	23	—	—	—	27.8	39.3	—	—	—	—	—	17	34
AS22□1F-02-10	10														
AS32□1F-02-06	6	3/8	19	12.8	23	—	27.8	39.3	—	—	—	—	—	17	60
AS32□1F-02-08	8														
AS32□1F-02-10	10	18.5	23	—	—	—	31.8	43.3	21.3	48.3	43.3	42.8	37.8	21	67
AS32□1F-02-12	12														
AS32□1F-02-12	12	20.9	19	—	—	—	32.8	44.3	—	—	—	—	—	22	69
AS32□1F-03-06	6														
AS32□1F-03-08	8	15.2	23	—	—	—	29.5	41	19.8	45.4	40.4	40.2	35.2	18.5	57
AS32□1F-03-10	10														
AS32□1F-03-12	12	20.9	19	—	—	—	32.8	44.3	—	—	—	—	—	22	61
AS42□1F-04-10	10														
AS42□1F-04-12	12	34.6	48.9	24.5	56.7	49.2	49.6	42.1	—	—	—	—	21	100	
AS42□1F-04-12	12	22	101												

Note 1) () are the dimensions of NPT thread.

Note 2) Reference thread dimensions after installation.

Note 3) Reference dimensions

Inch Size

Model	Applicable tubing O.D. ød	T	H (1)	D1	D2	L1	L2	L3	L4 (3)		A (2)		M1	Mass (g)
									Max.	Min.	Max.	Min.		
AS12□1F-M3-01	1/8"	M3 x 0.5	5.5	8.4	7.2	16.1	19.7	10.5	26.6	24.1	24	21.5	12.7	4
AS12□1F-M3-03	5/32"													
AS12□1F-M5-01	1/8"	M5 x 0.8	8	8.4	9.6	17.3	22.1	12.3	28.6	25.8	25	22.2	12.7	7
AS12□1F-U10/32-01	1/8"													
AS12□1F-M5-03	5/32"	M5 x 0.8	8	9.3	9.6	17.3	22.1	12.3	28.6	25.8	25	22.2	12.7	7
AS12□1F-U10/32-03	5/32"													
AS12□1F-M5-05	3/16"	M5 x 0.8	8	11.4	9.6	21.3	26.1	11.7	28.6	25.8	25	22.2	16.5	7
AS12□1F-U10/32-05	3/16"													
AS12□1F-M5-07	1/4"	M5 x 0.8	12	18.3	23.1	18.3	23.1	11.7	28.6	25.8	25	22.2	13.5	7
AS12□1F-U10/32-07	1/4"													
AS22□1F-01-01	1/8"	1/8	12	9.3	14.2	20.4	27.5	13.4	35.2	30.2	32.1	27.1	12.7	17
AS22□1F-01-03	5/32"													
AS22□1F-01-05	3/16"	12	15.2	11.4	14.2	23.1	30.2	13.4	35.2	30.2	32.1	27.1	16.5	17
AS22□1F-01-07	1/4"													
AS22□1F-01-09	5/16"	15.2	25.3	32.4	14.1	—	—	—	—	—	—	—	21	21
AS22□1F-02-03	5/32"	1/4	17	10.4	17.5	25.2	34.4	17.7	39.9	34.9	34.4	29.4	16	32
AS22□1F-02-05	3/16"													
AS22□1F-02-07	1/4"	15.2	23	13.2	18.5	25.2	34.5	19.5	39.9	34.9	34.4	29.4	18.5	34
AS22□1F-02-09	5/16"													
AS22□1F-02-11	3/8"	15.2	23	17.9	19.5	27.2	36.4	19.5	39.9	34.9	34.4	29.4	21	36
AS22□1F-02-11	3/8"													
AS32□1F-02-07	1/4"	13.2	23	27.8	39.3	27.8	39.3	—	—	—	—	—	17	60
AS32□1F-02-09	5/16"													
AS32□1F-02-11	3/8"	17.9	19	31.8	43.3	31.8	43.3	—	—	—	—	—	18.5	63
AS32□1F-02-11	3/8"													
AS32□1F-03-07	1/4"	13.2	23	27.8	39.3	27.8	39.3	—	—	—	—	—	17	55
AS32□1F-03-09	5/16"													
AS32□1F-03-11	3/8"	17.9	19	31.8	43.3	31.8	43.3	—	—	—	—	—	21	59
AS32□1F-03-11	3/8"													
AS42□1F-04-11	3/8"	1/2	24	17.9	28.6	33.6	47.9	24.5	56.7	49.2	49.6	42.1	21	100
AS42□1F-04-13	1/2"													

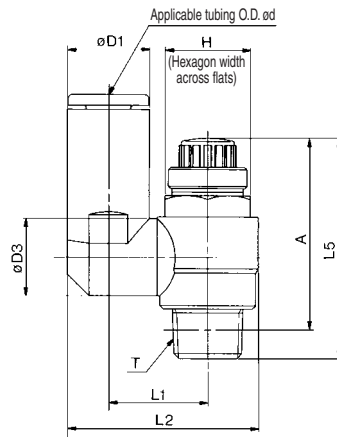
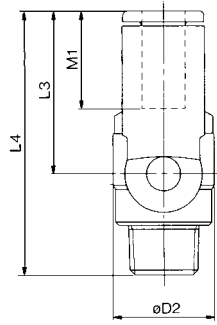
Note 1) () are the dimensions of NPT thread.

Note 2) Reference thread dimensions after installation.

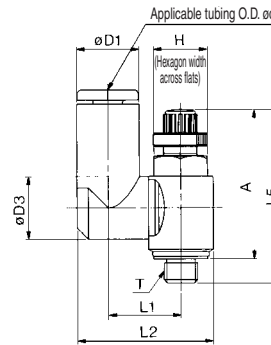
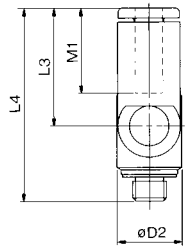
Note 3) Reference dimensions



Universal Type



M3 port
M5 port
U10/32 port



Metric Size

Model	Applicable tubing O.D. ϕ d	T	H ⁽¹⁾	D1	D2	D3	L1	L2	L3	L4	L5 ⁽³⁾		A ⁽²⁾		M1	Mass (g)
											Max.	Min.	Max.	Min.		
AS13□1F-M3-23	3.2	M3 x 0.5	5.5	8.4	7.2	7.2	10.1	17.9	17.6	28.3	26.6	24.1	24	21.5	12.7	4
AS13□1F-M3-04	4			9.3				18.3	17.9	28.6						
AS13□1F-M5-23	3.2	M5 x 0.8	8	8.4	9.6	9.3	10.8	19.8	17.5	28.7	28.6	25.8	25	22.2	12.7	7
AS13□1F-U10/32-23				10-32UNF				20.3		21.4						
AS13□1F-M5-04	4	M5 x 0.8	8	9.3	9.6	9.3	10.8	20.3	17.5	28.7	28.6	25.8	25	22.2	12.7	7
AS13□1F-U10/32-04	4	10-32UNF	8	9.3	9.6	9.3	10.8	20.3	17.5	28.7	28.6	25.8	25	22.2	12.7	7
AS13□1F-M5-06	6	M5 x 0.8	8	11.6	9.6	9.3	10.8	20.3	17.5	28.7	28.6	25.8	25	22.2	13.5	10
AS13□1F-U10/32-06	6	10-32UNF	8	11.6	9.6	9.3	10.8	20.3	17.5	28.7	28.6	25.8	25	22.2	13.5	10
AS23□1F-01-23	3.2	1/8	12 (12.7)	8.4	14.2	9.3	13.1	24.4	17.5	30.9	35.2	30.2	32.1	27.1	12.7	17
AS23□1F-01-04	4			9.3				13.1		24.9						
AS23□1F-01-06	6	1/8	12 (12.7)	11.6	14.2	10.9	14	26.9	22.9	36.3	35.2	30.2	32.1	27.1	13.5	18
AS23□1F-01-08	8	1/8	12 (12.7)	15.2	14.2	12.9	16.2	30.9	28.2	40.8	35.2	30.2	32.1	27.1	18.5	21
AS23□1F-02-04	4	1/4	17 (17.5)	10.4	18.5	10.9	16.2	30.6	21.9	39.6	39.9	34.9	34.4	29.4	16	32
AS23□1F-02-06	6			12.8				12.9		18.4						
AS23□1F-02-08	8	1/4	17 (17.5)	15.2	18.5	12.9	16.2	35.2	28.2	45.1	39.9	34.9	34.4	29.4	18.5	36
AS23□1F-02-10	10	1/4	17 (17.5)	18.5	18.5	12.9	16.2	37.7	31	47.9	39.9	34.9	34.4	29.4	21	40
AS33□1F-02-06	6	1/4	17 (17.5)	12.8	23	12.9	20.6	38.5	25.2	46.5	48.3	43.3	42.8	37.8	17	60
AS33□1F-02-08	8			15.2				12.9		20.6						
AS33□1F-02-10	10	1/4	17 (17.5)	18.5	23	12.9	20.6	43.7	32.6	53.9	48.3	43.3	42.8	37.8	21	67
AS33□1F-02-12	12	1/4	17 (17.5)	20.9	23	12.9	20.6	44.9	34.4	55.7	48.3	43.3	42.8	37.8	22	69
AS33□1F-03-06	6	3/8	19	12.8	23	12.9	20.6	38.5	25.2	45	45.4	40.4	40	35	17	56
AS33□1F-03-08	8			15.2				12.9		20.6						
AS33□1F-03-10	10	3/8	19	18.5	23	12.9	20.6	43.7	32.6	52.4	45.4	40.4	40	35	21	63
AS33□1F-03-12	12	3/8	19	20.9	23	12.9	20.6	44.9	34.4	54.2	45.4	40.4	40	35	22	65
AS43□1F-04-10	10	1/2	24 (23.8)	18.5	28.6	16.2	25.8	49.4	32.6	57.1	56.7	49.2	49.6	42.1	21	104
AS43□1F-04-12	12			21.7				19.4		28.6						

Note 1) () are the dimensions of NPT thread
Note 2) Reference thread dimensions after installation.
Note 3) Reference dimensions

Inch Size

Model	Applicable tubing O.D. ϕ d	T	H ⁽¹⁾	D1	D2	D3	L1	L2	L3	L4	L5 ⁽³⁾		A ⁽²⁾		M1	Mass (g)
											Max.	Min.	Max.	Min.		
AS13□1F-M3-01	1/8"	M3 x 0.5	5.5	8.4	7.2	7.2	10.1	17.9	17.6	28.3	26.6	24.1	24	21.5	12.7	4
AS13□1F-M3-03	5/32"			9.3				18.3	17.9	28.6						
AS13□1F-M5-01	1/8"	M5 x 0.8	8	8.4	9.6	9.3	10.8	19.8	17.5	28.7	28.6	25.8	25	22.2	12.7	7
AS13□1F-U10/32-01	1/8"			10-32UNF				20.3		21.4						
AS13□1F-M5-03	5/32"	M5 x 0.8	8	9.3	9.6	9.3	10.8	20.3	17.5	28.7	28.6	25.8	25	22.2	12.7	7
AS13□1F-U10/32-03	5/32"	10-32UNF	8	9.3	9.6	9.3	10.8	20.3	17.5	28.7	28.6	25.8	25	22.2	12.7	7
AS13□1F-M5-05	3/16"	M5 x 0.8	8	11.4	9.6	9.3	10.8	21.3	23.3	34.5	28.6	25.8	25	22.2	16.5	10
AS13□1F-U10/32-05	3/16"			10-32UNF				21.6	20.7	31.9						
AS13□1F-M5-07	1/4"	M5 x 0.8	12 (12.7)	12	10.9	16.2	30.6	21.6	20.7	31.9	39.9	34.9	34.4	29.4	13.7	10
AS13□1F-U10/32-07	1/4"			10-32UNF				21.6	20.7	31.9						
AS23□1F-01-01	1/8"	1/8	12 (12.7)	8.4	14.2	9.3	13.1	24.4	17.5	30.9	35.2	30.2	32.1	27.1	12.7	17
AS23□1F-01-03	5/32"			9.3				13.1		24.9						
AS23□1F-01-05	3/16"	1/8	12 (12.7)	11.6	14.2	10.9	14	26.8	23.9	37.3	35.2	30.2	32.1	27.1	16.5	21
AS23□1F-01-07	1/4"	1/8	12 (12.7)	13.2	14.2	12.9	16.2	29.9	25.6	38.2	35.2	30.2	32.1	27.1	17	19
AS23□1F-01-09	5/16"	1/8	12 (12.7)	15.2	14.2	12.9	16.2	30.9	28.2	40.8	35.2	30.2	32.1	27.1	18.5	21
AS23□1F-02-03	5/32"	1/4	17 (17.5)	10.4	18.5	10.9	16.2	30.6	21.9	39.6	39.9	34.9	34.4	29.4	16	32
AS23□1F-02-05	3/16"			11.6				10.9		16.2						
AS23□1F-02-07	1/4"	1/4	17 (17.5)	13.2	18.5	12.9	16.2	34.2	25.6	45.1	39.9	34.9	34.4	29.4	17	36
AS23□1F-02-09	5/16"	1/4	17 (17.5)	15.2	18.5	12.9	16.2	35.2	28.2	47.9	39.9	34.9	34.4	29.4	18.5	39
AS23□1F-02-11	3/8"	1/4	17 (17.5)	18.5	18.5	12.9	16.2	38.7	31	46.5	39.9	34.9	34.4	29.4	21	40
AS33□1F-02-07	1/4"	3/8	19	13.2	23	12.9	20.6	38.7	25.6	46.9	48.3	43.3	42.8	37.8	17	60
AS33□1F-02-09	5/16"			15.2				12.9		20.6						
AS33□1F-02-11	3/8"	1/4	19	18.5	23	12.9	20.6	43.7	32.6	53.9	48.3	43.3	42.8	37.8	21	69
AS33□1F-03-07	1/4"	3/8	19	13.2	23	12.9	20.6	38.7	25.6	45.4	45.4	40.4	40.2	35.2	17	56
AS33□1F-03-09	5/16"			15.2				12.9		20.6						
AS33□1F-03-11	3/8"	1/2	24 (23.8)	18.5	28.6	16.2	25.8	49.4	32.6	57.1	56.7	49.2	49.6	42.1	21	104
AS43□1F-04-13	1/2"	1/2	24 (23.8)	21.7	28.6	19.4	26.8	52	36.3	60.8	56.7	49.2	49.6	42.1	22	106

Note 1) () are the dimensions of NPT thread
Note 2) Reference thread dimensions after installation.
Note 3) Reference dimensions

- AS
- ASP
- ASN
- AQ
- ASV
- AK
- VCHC
- ASS
- ASR
- ASQ
- KE
- TMH



Please contact SMC for detailed dimensions, specifications, and delivery.

1 Lubricant: Vaseline X12

Ex.) AS2201F-01-04S-X12

2 Grease-free (Seal: Fluorine Coating) + Throttle Valve (Without Check Valve) X21

Ex.) AS2201F-01-04S-X21

Note 1) Not particle-free

Note 2) Throttle valve is only compatible with the part no. of the meter-out type.

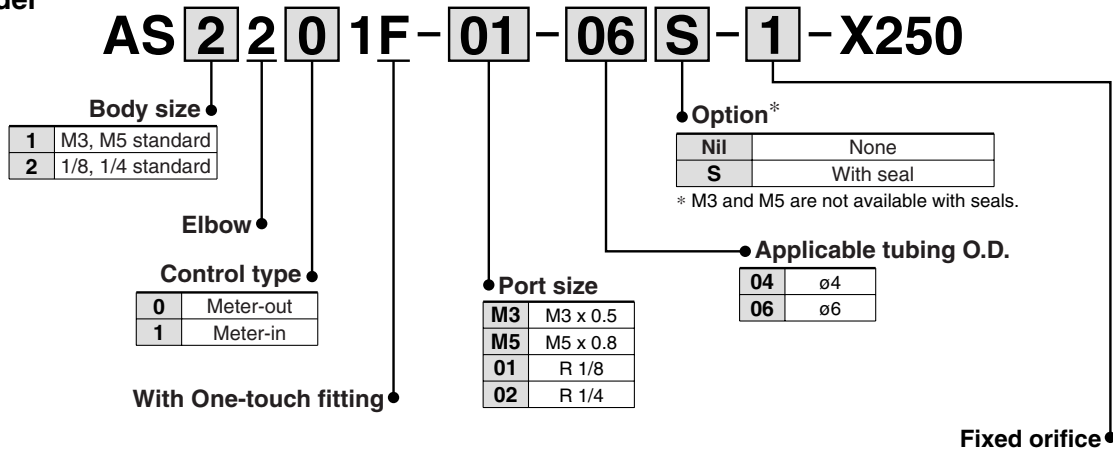
3 Throttle Valve (Without Check Valve) X214

Ex.) AS2201F-01-04S-X214

Note) Throttle valve is only compatible with the part no. of the meter-out type.

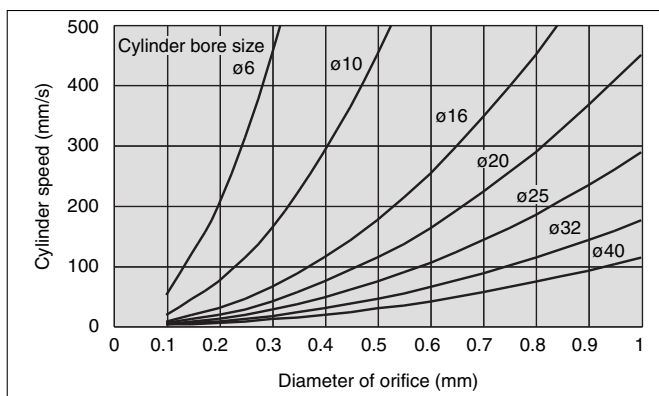
4 Fixed Throttle (No needle function) X250

How to Order



Symbol	Fixed orifice	Applicable model			
		AS12□1F-M3-04	AS12□1F-M5-04 AS12□1F-M5-06	AS22□1F-01-04 AS22□1F-01-06	AS22□1F-02-06
1	ø0.1	●	●	●	●
2	ø0.2	●	●	●	●
3	ø0.3	●	●	●	●
4	ø0.4	●	●	●	●
5	ø0.5	●	●	●	●
6	ø0.6	●	●	●	●
7	ø0.7	●	●	●	●
8	ø0.8	●	●	●	●
9	ø0.9	●	●	●	●
10	ø1.0	●	●	●	●

The graph below shows the relationship between orifices for each cylinder bore and cylinder speed. Please refer to it during selection. The cylinder speeds on the graph are theoretical values. Actual values may differ depending on the piping conditions or sliding friction, so please use this graph as a guideline only.



Speed Controller with One-touch Fittings In-line Type Series AS

Minimizes installation time and cost

Reduce the mounting height and enables compact machinery design. Effective area is larger than the former model.

ø2 size added to applicable tubing sizes

- **Metric size** (Release button: White color)
ø2, ø3.2, ø4, ø6, ø8, ø10, ø12
- **Inch size** (Release button: Orange color)
ø1/8", ø5/32", ø3/16", ø1/4", ø5/16", ø3/8", ø1/2"

Maximum operating pressure 1 MPa max.

Applicable tubing materials

Nylon, soft nylon, and polyurethane tubing are applicable.

Retainer prevents accidental loss of needle.

Option

**Hexagonal lock nut,
Nickel plated option**

Number of needle rotations has been increased (8 to 10 turns)

The increased number of needle rotations (8 to 10 turns) permits easy control at low speeds.

In-line type



Applicable tubing O.D. ø2



Made to Order
(Refer to page 431 for details.)

Flow Direction Symbols on Body



Model

Model	Applicable tubing O.D.												Applicable cylinder bore size (mm)		
	Metric size						Inch size								
	2	3.2	4	6	8	10	12	1/8"	5/32"	3/16"	1/4"	5/16"		3/8"	1/2"
AS1001F	●	●	●	●				●	●	●	●				6, 10, 16, 20 ⁽¹⁾
AS2001F			●	●					●	●	●				20, 25, 32
AS2051F				●	●					●	●	●			20, 25, 32, 40
AS3001F				●	●	●	●				●	●	●		40, 50, 63
AS4001F						●	●						●	●	63, 80, 100

Note 1) AS1001F-02 applicable cylinder bore sizes are 2.5, 4, 6.

Note 2) ●Marking is electroless nickel plated, provided as standard. (N specifications)

Specifications

Fluid	Air
Proof pressure	1.5 MPa (1.05 MPa ⁽¹⁾)
Max. operating pressure	1 MPa (0.7 MPa ⁽¹⁾)
Min. operating pressure	0.1 MPa
Ambient and fluid temperature	-5 to 60°C (No freezing)
Number of needle rotations	10 turns (8 turns ⁽²⁾)
Applicable tubing material ⁽³⁾	Nylon, Soft nylon, Polyurethane ⁽⁴⁾
Option	Hexagonal lock nut, Electroless nickel plated ⁽⁵⁾

Note 1) In case of AS1001F-02

Note 2) In case of AS1001F type. AS1001F-02: 10 turns.

Note 3) Use caution regarding the max. operating pressure when soft nylon or polyurethane tubing is used. (Refer to pages 371 and 372 for details.)

Note 4) In case of AS1001F-02, polyurethane only.

Note 5) Brass parts are all electroless nickel plated.

Flow Rate and Effective Area

Model		AS1001F	AS2001F	AS2051F	AS3001F	AS4001F
Tubing O.D.	Metric size	ø2, ø3.2, ø4, ø6	ø4, ø6	ø6, ø8	ø6, ø8, ø10, ø12	ø10, ø12
	Inch size	—, ø1/8", ø5/32", ø3/16", ø1/4"	ø5/32", ø3/16", ø1/4"	ø3/16", ø1/4", ø5/16"	ø1/4", ø5/16", ø3/8"	ø3/8", ø1/2"
Controlled flow (Free flow)	Air flow l/min (ANR)	20, 100	130, 230	290, 460	420, 660, 920	1050, 1390
	Effective area (mm ²)	0.3, 1.5	2, 3.5	4.5, 7	6.5, 10, 14	16, 21

Note) Flow rate values are measured at 0.5 MPa and 20°C.

How to Order

AS 400 1F - 12 - -

Body size

100	M5 standard
200	1/8 standard
205	1/4 standard
300	3/8 standard
400	1/2 standard

With One-touch fittings

Option*	
Nil	None
K	Hexagonal lock nut
N	Electroless nickel plated

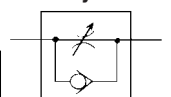
* If more than one option is required, write option part numbers in the order of "K", "N".

Applicable tubing O.D.

Metric size	Inch size
02	ø2
23	ø3.2*
04	ø4
06	ø6
08	ø8
10	ø10
12	ø12
01	ø1/8"
03	ø5/32"
05	ø3/16"
07	ø1/4"
09	ø5/16"
11	ø3/8"
13	ø1/2"

* Use ø1/8" tube.

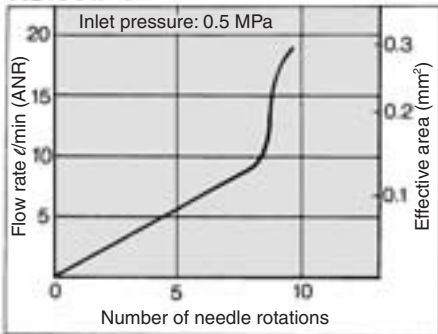
JIS Symbol



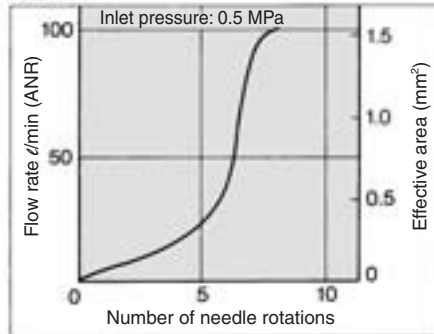
Made to Order
Refer to page 431 for details.

Needle Valve/Flow Characteristics

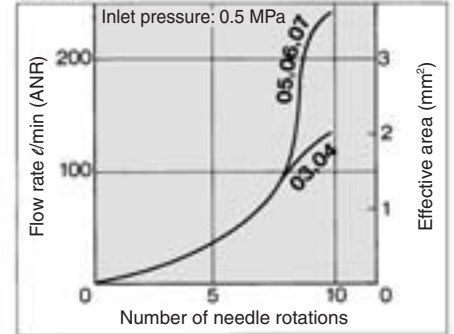
AS1001F-02



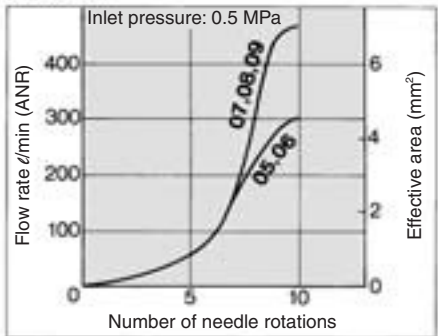
AS1001F



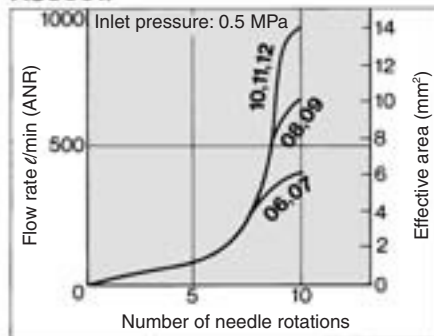
AS2001F



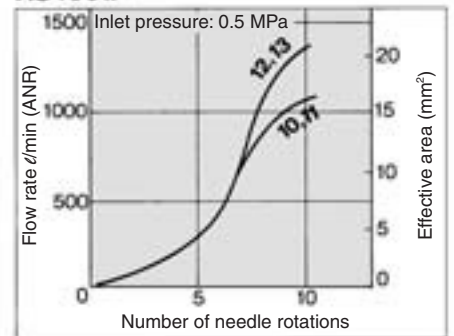
AS2051F



AS3001F



AS4001F



Caution

Be sure to read before handling.
Refer to front matters 58 and 59 for Safety Instructions and pages 412 to 414 for Flow Control Equipment Precautions.

Made to Order



Lubricant: Vaseline

X12

Ex.) AS2001F-04-X12

Grease-free (Seal: Fluorine Coating) +
Throttle Valve (Without Check Valve)

X21

Ex.) AS2001F-04-X21

Note) Not particle-free

Throttle Valve (Without Check Valve)

X214

Ex.) AS2001F-04-X214

AS

ASP

ASN

AQ

ASV

AK

VCHC

ASS

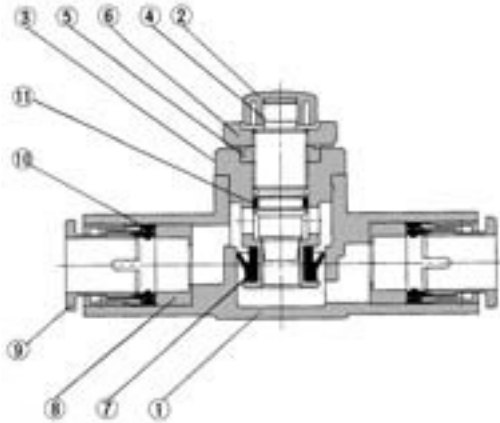
ASR
ASQ

KE

TMH

Series AS

Construction

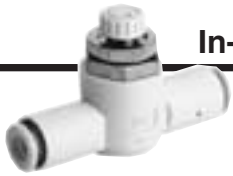


Component Parts

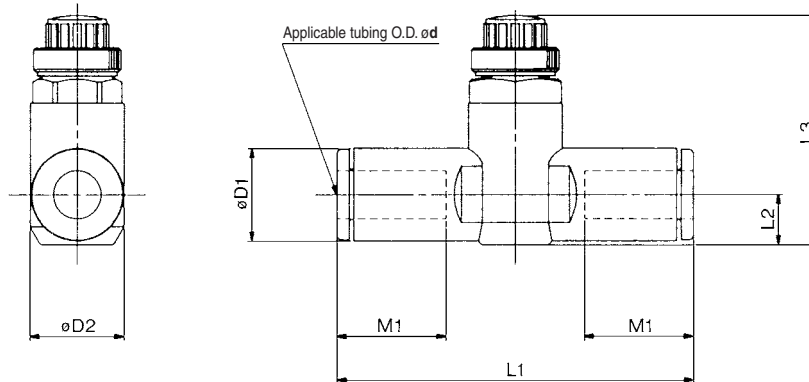
No.	Description	Material	Note
1	Body A	PBT	
2	Handle	PBT ⁽¹⁾	
3	Body B	Brass	Electroless nickel plated
4	Needle	Brass	Electroless nickel plated
5	Needle guide	Brass	Electroless nickel plated
6	Lock nut	Brass ⁽²⁾	Electroless nickel plated
7	U seal	HNBR	
8	Spacer	—	
9	Cassette	—	
10	Packing	NBR	
11	O-ring	NBR	

Note 1) AS1001F-02 is made of electroless nickel plated brass.

Note 2) AS□□1F type is made of steel.



In-line Type



Metric Size

Model	Applicable tubing O.D. ød	D1	D2	L1	L2	L3 ⁽¹⁾		M1	Mass (g)		
						Max.	Min.				
AS1001F-02	2	6	6	25.4	3.4	20.9	18.4	8.8	3		
AS1001F-23	3.2	8.4	10	38.0	4.5	23.5	20.7	12.7	6		
AS1001F-04	4	9.3		39.2	5.2	24.2	21.4		7		
AS1001F-06	6	11.6		40.7	6.2	25.2	22.4	13.5	8		
AS2001F-04	4	9.3	11.8	40.7	5.2	32.6	27.6	12.7	12		
AS2001F-06	6	11.6		44.8	6.3	33.7	28.7		13.5	13	
AS2051F-06	6	12.8	14.8	53.2	6.7	35.2	30.2	17	22		
AS2051F-08	8	15.2		59.8	8.1	36.5	31.5		18	25	
AS3001F-06	6	12.8	19.8	59	7.4	38.3	33.3	17	36		
AS3001F-08	8	15.2		64.4	8.2	39.1	34.1		18	40	
AS3001F-10	10	18.5		71.6	9.8	40.6	35.6		21	44	
AS3001F-12	12	20.9	26.5	76	11	41.8	36.8	22	48		
AS4001F-10	10	18.5		11.3	77.7	11.3	51.1		43.6	21	85
AS4001F-12	12	20.9			82.1	11.3	52.1		44.6	22	89

Note 1) Reference dimensions

Inch Size

Model	Applicable tubing O.D. ød	D1	D2	L1	L2	L3 ⁽¹⁾		M1	Mass (g)	
						Max.	Min.			
AS1001F-01	1/8"	8.4	10	38	4.5	23.5	20.7	12.7	6	
AS1001F-03	5/32"	9.3		39.2	5.2	24.2	21.4		7	
AS1001F-05	3/16"	11.4	10	48.7	6.2	25.2	22.4	13.7	16.5	
AS1001F-07	1/4"	12		40.7					9	
AS2001F-03	5/32"	9.3	11.8	40.7	5.2	32.6	27.6	12.7	12	
AS2001F-05	3/16"	11.4		50	6.2	33.6	28.6		16.5	18
AS2001F-07	1/4"	13.2		52.2	7.1	34.5	29.5		17	16
AS2051F-05	3/16"	11.4	14.8	52.2	6.2	34.6	29.6	16.5	24	
AS2051F-07	1/4"	13.2		54.4	7.1	35.5	30.5		17	22
AS2051F-09	5/16"	15.2		59.8	8.1	36.5	31.5		18	25
AS3001F-07	1/4"	13.2	19.8	59	7.4	38.3	33.3	17	36	
AS3001F-09	5/16"	15.2		64.4	8.2	39.1	34.1		18	40
AS3001F-11	3/8"	17.9		70.8	9.5	40.3	35.3		21	52
AS4001F-11	3/8"	17.9	26.5	76.9	10.3	51	43.5	21	93	
AS4001F-13	1/2"	21.7		83.1	11.6	52.4	44.9		22	106

Note 1) Reference dimensions

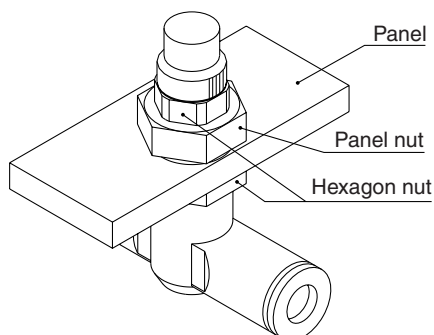
Speed Controller with One-touch Fittings In-line Type/Panel Mount Type

Series AS□□□1F-3

Panel mount thickness:
3.5 mm at the maximum

Easy installation and removal

Installation of hexagon nuts on panel nuts up and down in two locations enables user to mount or remove it depending upon the situation.



Model

Model	Applicable tubing O.D.											Applicable cylinder bore size (mm)			
	Metric size					Inch size									
	3.2	4	6	8	10	12	1/8"	5/32"	3/16"	1/4"	5/16"		3/8"	1/2"	
AS1001F	●	●	●				●	●	●	●					6, 10, 16, 20
AS2001F		●	●					●	●	●					20, 25, 32
AS2051F			●	●					●	●	●				20, 25, 32, 40
AS3001F			●	●	●	●				●	●	●			40, 50, 63
AS4001F					●	●						●	●		63, 80, 100

Specifications

Fluid	Air
Proof pressure	1.5 MPa
Max. operating pressure	1 MPa
Min. operating pressure	0.1 MPa
Ambient and fluid temperature	-5 to 60°C (No freezing)
Number of needle rotations	10 turns (8 turns ⁽¹⁾)
Applicable tubing material ⁽²⁾	Nylon, Soft nylon, Polyurethane

Note 1) In the case of AS1001F type

Note 2) Use caution regarding the max. operating pressure when soft nylon or polyurethane tubing is used. (Refer to pages 371 and 372 for details.)

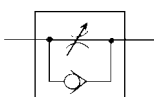
Note 3) Brass parts are all electroless nickel plated.

Flow Rate and Effective Area

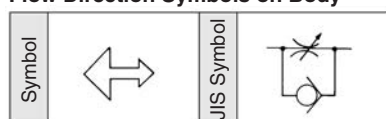
Model	AS1001F	AS2001F	AS2051F	AS3001F	AS4001F						
Tubing O.D.	Metric size	ø3.2, ø4, ø6	ø4	ø6	ø6	ø8	ø6	ø8	ø10, ø12	ø10	ø12
	Inch size	ø1/8", ø5/32", ø3/16", ø1/4"	ø5/32"	ø3/16", ø1/4"	ø3/16"	ø1/4", ø5/16"	ø1/4"	ø5/16"	ø3/8"	ø3/8"	ø1/2"
Controlled flow (Free flow)	Flow rate (l/min)(ANR)	100	130	230	290	460	420	660	920	1050	1390
	Effective area (mm ²)	1.5	2	3.5	4.5	7	6.5	10	14	16	21

Note) Flow rate values are measured at 0.5 MPa and 20°C.

JIS Symbol



Flow Direction Symbols on Body



Made to Order
(Refer to page 435 for details.)

How to Order

AS **200** 1 F - **06** - **3** -

Body size

100	M5 standard
200	1/8 standard
205	1/4 standard
300	3/8 standard
400	1/2 standard

With One-touch fittings

Panel mount type

Applicable tubing O.D.

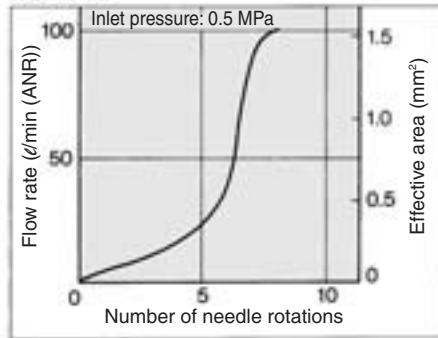
Metric size	Inch size
23	ø3.2*
04	ø4
06	ø6
08	ø8
10	ø10
12	ø12
01	ø1/8"
03	ø5/32"
05	ø3/16"
07	ø1/4"
09	ø5/16"
11	ø3/8"
13	ø1/2"

* Use ø1/8" tube.

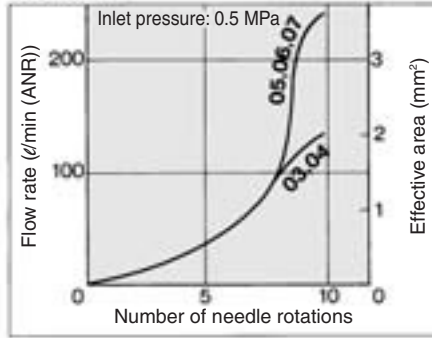
Made to Order
Refer to page 435 for details.

Needle Valve/Flow Characteristics

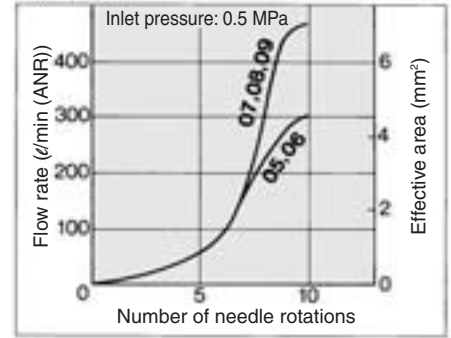
AS1001F



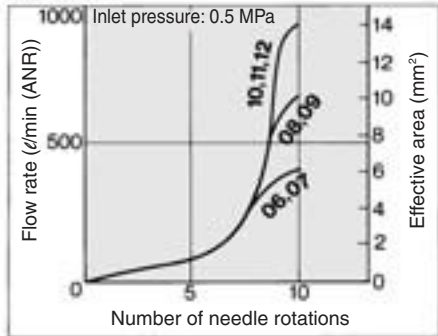
AS2001F



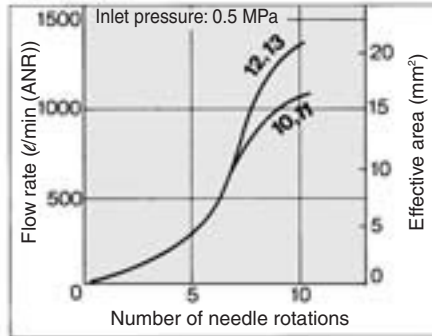
AS2051F



AS3001F



AS4001F



⚠ Caution

Be sure to read before handling.
Refer to front matters 58 and 59 for Safety Instructions and pages 412 to 414 for Flow Control Equipment Precautions.

Made to Order



Lubricant: Vaseline

X12

Ex.) AS2001F-04-3-X12

Grease-free (Seal: Fluorine Coating) + Throttle Valve (Without Check Valve)

X21

Ex.) AS2001F-04-3-X21

Note) Not particle-free

Throttle Valve (Without Check Valve)

X214

Ex.) AS2001F-04-3-X214

AS

ASP

ASN

AQ

ASV

AK

VCHC

ASS

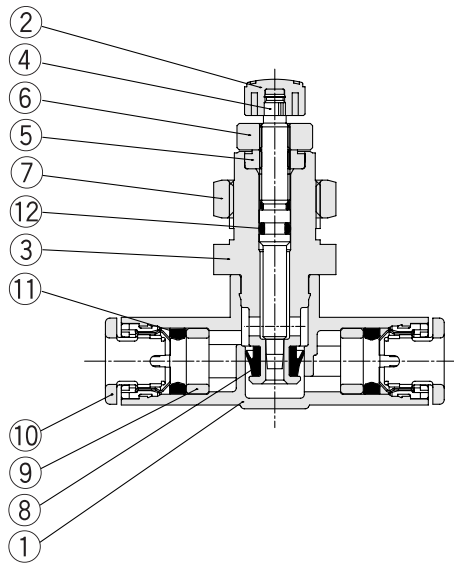
ASR
ASQ

KE

TMH

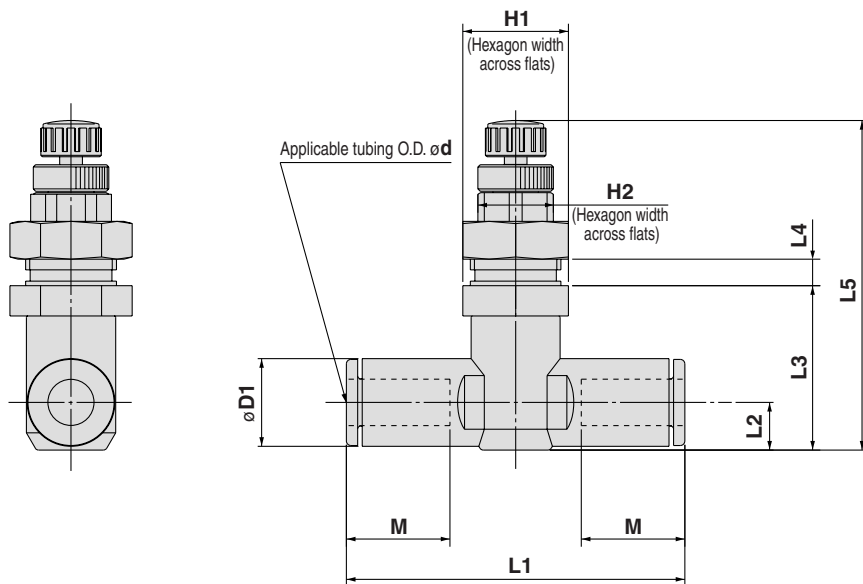
Series AS□□□1F-3

Construction



No.	Description	Material	Note
1	Body A	PBT	
2	Handle	PBT	
3	Body B	Brass	Electroless nickel plated
4	Needle	Brass	Electroless nickel plated
5	Needle guide	Brass	Electroless nickel plated
6	Lock nut	Brass	Electroless nickel plated
7	Panel nut	Brass	Electroless nickel plated
8	U seal	HNBR	
9	Spacer	—	
10	Cassette	—	
11	Packing	NBR	
12	O-ring	NBR	

Dimensions



Metric Size

Model	d	D1	H1	H2	L1	L2	L3	L4	L5 ⁽¹⁾		M	Panel-out dimensions	Mass (g)
									Max.	Min.			
AS1001F-23-3	3.2	8.4	12	8	38	4.5	16.8	3.5	37.6	34.4	12.7	10.5	18
AS1001F-04-3	4	9.3			39.2	5.2	17.4		38.2	35			19
AS1001F-06-3	6	11.6	14	10	40.7	6.2	18.5	3.5	39.3	36.1	13.5	12.5	20
AS2001F-04-3	4	9.3			40.7	5.2	20.7		48	42.5			28
AS2001F-06-3	6	11.6	17	13	44.8	6.3	21.8	3.5	49.1	43.6	13.5	15.5	29
AS2051F-06-3	6	12.8			53.2	6.7	25.7		54.8	48.1			49
AS2051F-08-3	8	15.2	21	16	59.8	8.1	27	3.5	60.1	54.7	17	18.5	54
AS3001F-06-3	6	12.8			64.4	8.2	32.1		60.9	55.5			88
AS3001F-08-3	8	15.2	27	21	71.6	9.8	33.7	3.5	62.5	57.1	21	24.5	99
AS3001F-12-3	12	20.9			76	11	34.9		63.7	58.3			100
AS4001F-10-3	10	18.5	27	21	77.7	11.3	35	3.5	69.3	61	21	24.5	167
AS4001F-12-3	12	20.9			82.1	36	70.3		62	22			171

Note 1) Reference dimensions

Inch Size

Model	d	D1	H1	H2	L1	L2	L3	L4	L5 ⁽¹⁾		M	Panel-out dimensions	Mass (g)
									Max.	Min.			
AS1001F-01-3	1/8"	8.4	12	8	38	4.5	16.8	3.5	37.6	34.4	12.7	10.5	18
AS1001F-03-3	5/32"	9.3			39.2	5.2	17.4		38.2	35			19
AS1001F-05-3	3/16"	11.4	14	10	48.7	6.2	18.5	3.5	39.3	36.1	13.5	12.5	24
AS1001F-07-3	1/4"	12			40.7				13.7	21			
AS2001F-03-3	5/32"	9.3	17	13	40.7	5.2	20.7	3.5	48	42.5	12.7	15.5	28
AS2001F-05-3	3/16"	11.4			50	6.2	21.6		48.9	43.4			34
AS2001F-07-3	1/4"	13.2	21	16	52.2	7.1	22.5	3.5	49.8	44.3	17	24.5	37
AS2051F-05-3	3/16"	11.4			52.2	6.2	25.2		53	47.6			47
AS2051F-07-3	1/4"	13.2	27	21	54.4	7.1	26	3.5	53.8	48.4	17	24.5	49
AS2051F-09-3	5/16"	15.2			59.8	8.1	27		54.8	49.4			54
AS3001F-07-3	1/4"	13.2	27	21	59	7.4	31.3	3.5	60.1	54.7	17	24.5	84
AS3001F-09-3	5/16"	15.2			64.4	8.2	32.1		60.9	55.5			88
AS3001F-11-3	3/8"	17.2	27	21	70.8	9.5	33.3	3.5	62.1	56.7	21	24.5	95
AS4001F-11-3	3/8"	17.9			76.9	10.3	34.9		69.2	60.9			175
AS4001F-13-3	1/2"	21.7	83.1	11.6	36.3	70.6	62.3	22	188				

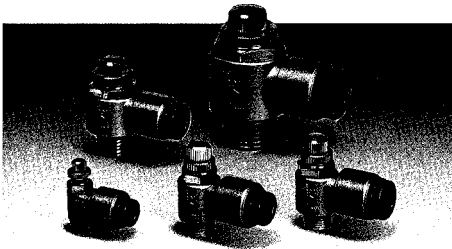
Note 1) Reference dimensions

Speed Controller with One-touch Fitting Elbow Type (Metal Body)

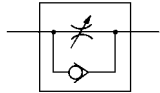
Series AS

Speed controller with One-touch fittings for metal body specifications

- Uses flame resistant resin as standard. (UL standard V-0)



JIS Symbol



Made to Order
(Refer to page 428 for details.)

Model

Model	Port size	Applicable tubing O.D.					Applicable cylinder bore size (mm)
		4	6	8	10	12	
AS12□1-M5	M5 x 0.8	☉	☉				6, 10, 16, 20
AS22□1-01	R 1/8		☉	☉			20, 25, 32
AS22□1-02	R 1/4		☉	☉			20, 25, 32, 40
AS32□1-03	R 3/8			●	●		40, 50, 63
AS42□1-04	R 1/2				●	●	63, 80, 100

Note) ☉ marking is electroless nickel plated, provided as standard. (N specifications)

Specifications

Fluid	Air
Proof pressure	1.5 MPa
Max. operating pressure	1 MPa
Min. operating pressure	0.1 MPa
Ambient and fluid temperature	- 5 to 60°C (No freezing)
Number of needle rotations	10 turns (8 turns ⁽¹⁾)
Applicable tubing material	Nylon, Soft nylon, Polyurethane
Option	Hexagon lock nut, Electroless nickel plated ⁽²⁾

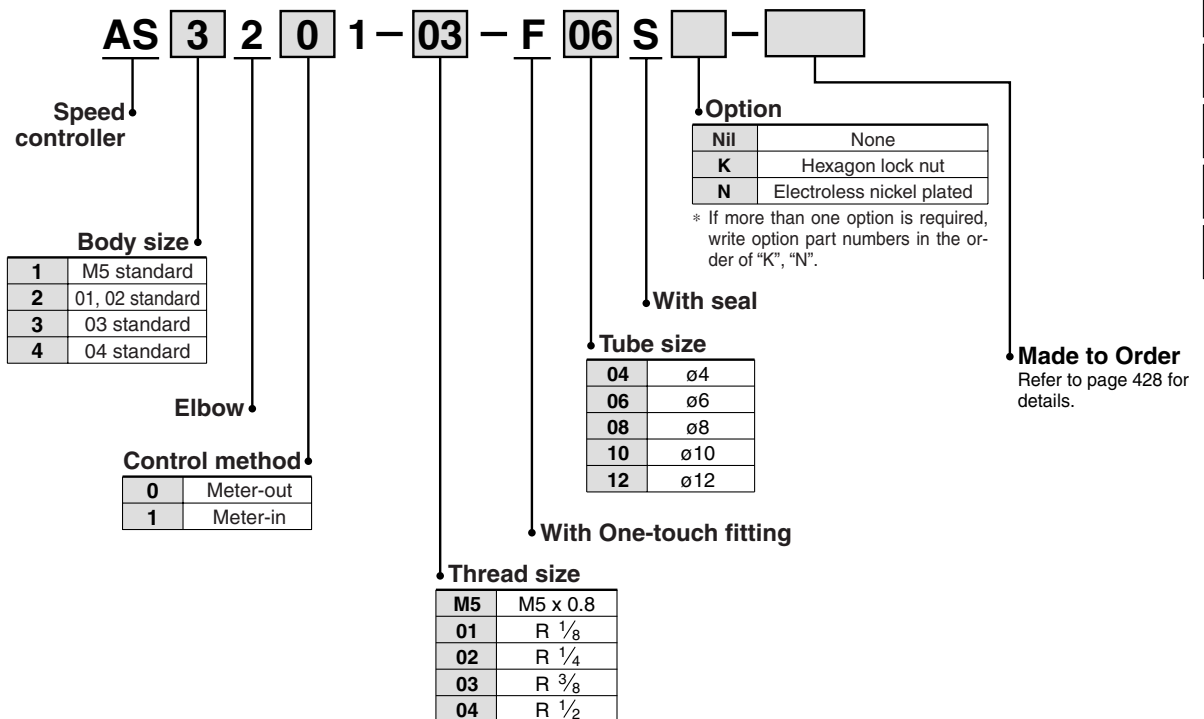
Meter-out and meter-in types can be visually differentiated by the lock nut.

The lock nut on the meter-out type is electroless nickel plated while the meter-in type is black zinc chromate plated.

Note 1) M5 size

Note 2) Brass parts are all electroless nickel plated.

How to Order

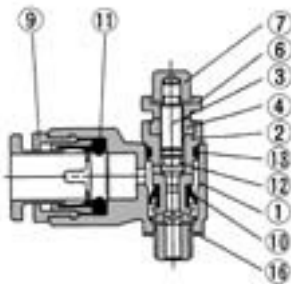


Note 1) M5 size: S (with seal) is not necessary.

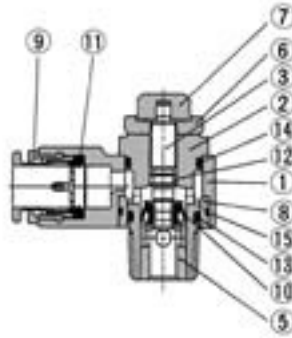
Series AS

Construction

AS1201-M5



AS2201/3201/4201



Component Parts

No.	Description	Material	Note
1	Body A	Zinc alloy	Chromate plated
2	Body B	Brass	Electroless nickel plated
3	Needle	Brass	Electroless nickel plated
4	Needle guide	Brass	Electroless nickel plated only with M5
5	Seat ring	Brass	(1)
6	Lock nut	Brass (2)	Electroless nickel plated (3)
7	Handle	Brass	Electroless nickel plated
8	Bushing	PBT	
9	Cassette	PBT/Stainless steel	
10	U-packing	HNBR	
11	Seal	NBR	
12	O-ring	NBR	
13	O-ring	NBR	
14	O-ring	NBR	
15	O-ring	NBR	
16	Gasket	NBR/Stainless steel	M5 port only

Note 1) "AS22□1": Electroless nickel plated

Note 2) "AS22□1": Steel

Note 3) Meter-in type: Black zinc chromated

Made to Order



1 Lubricant: Vaseline

X12

Ex.) AS1201-M5-F04-X12

2 Grease-free (Seal: Fluorine Coating) + Throttle Valve (Without Check Valve)

X21

Ex.) AS1201-M5-F04-X21

Note 1) Not particle-free

Note 2) Throttle valve is only compatible with the part no. of the meter-out type.

3 Throttle Valve (Without Check Valve)

X214

Ex.) AS1201-M5-F04-X214

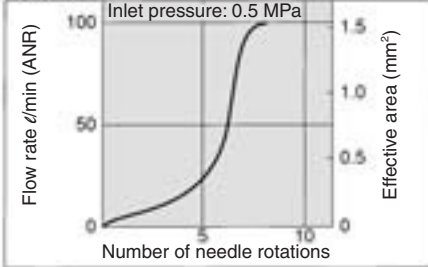
Note) Throttle valve is only compatible with the part no. of the meter-out type.

Flow Rate and Effective Area

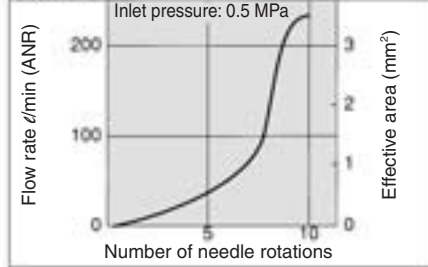
Model		AS12□1-M5	AS22□1-01	AS22□1-02		AS32□1-03		AS42□1-04	
Tubing O.D.		ø4, ø6	ø6, ø8	ø6	ø8	ø8	ø10	ø10	ø12
Controlled (Free) flow	Flow rate (ℓ/min (ANR))	100	230	390	460	790	920	1580	1710
	Effective area (mm ²)	1.5	3.5	6	7	12	14	24	26

Needle Valve/Flow Characteristics

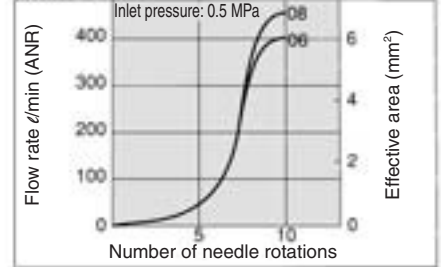
AS12□1



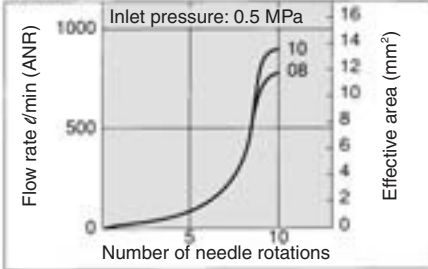
AS22□1-01



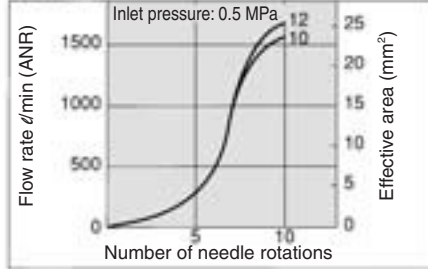
AS22□1-02



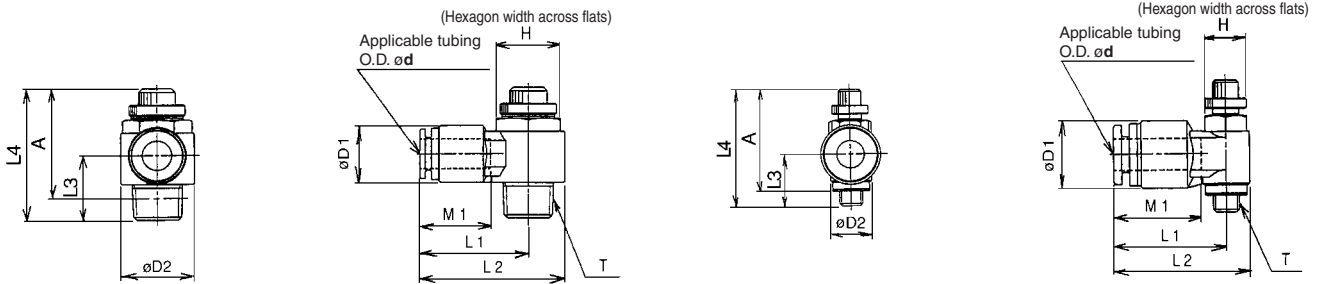
AS32□1



AS42□1



Dimensions



Model	Applicable tubing O.D. ød	T	H	D1	D2	L1	L2	L3	L4 ⁽¹⁾		A ⁽²⁾		M1	Mass (g)
									Max.	Min.	Max.	Min.		
AS12□1-M5-F04	4	M5 x 0.8	8	13	9	21	25.5	11.2	28.3	25.5	25	22.2	16	13
AS12□1-M5-F06	6					21.5	26						17	13
AS22□1-01-F06S	6	R 1/8	12	15.5	14.6	26.6	33.9	13.8	35.5	30.5	32.4	27.4	17	34
AS22□1-01-F08S	8												18.5	31
AS22□1-02-F06S	6	R 1/4	17	15.5	19.5	28.7	38.5	17.2	40.3	35.3	34.8	29.8	17	56
AS22□1-02-F08S	8												18.5	52
AS32□1-03-F08S	8	R 3/8	19	18.2	24.3	32.7	44.9	19	45.8	40.8	40.6	35.6	18.5	93
AS32□1-03-F10S	10					33.3	45.5						21	88
AS42□1-04-F10S	10	R 1/2	24	22.3	28.5	36.1	50.4	24.6	54.7	49.7	47.4	42.4	21	154
AS42□1-04-F12S	12												22	146

Note 1) Reference dimensions

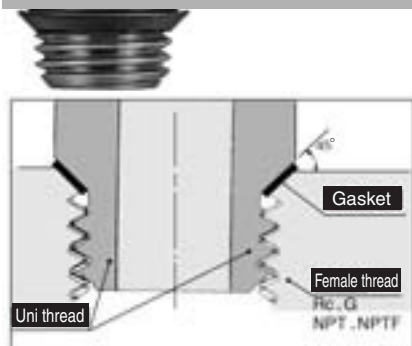
Note 2) Reference dimensions of thread M5, R after installation.

⚠ Caution

Be sure to read before handling.
Refer to front matters 58 and 59 for Safety Instructions and pages 412 to 414 for Flow Control Equipment Precautions.

Speed Controller with Uni One-touch Fitting Series AS

New-stand male threads for piping that reduces the screw-in time by 1/3.



Shape of Uni thread ridge

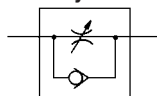
Use of the chamfered surface of the female thread as the seat surface and adoption of gaskets made by laminating NBR on both surfaces of stainless steel plates achieve secure sealing regardless of the difference of diameters due to the female thread type, deviations due to the tolerance, or the size of the chamfered corner.
(Any standard chamfered female thread can be used.)

A ridge shape has been created as a Uni thread for common applications for Rc, G, NPT and NPTF.

The male thread for piping drastically cuts piping man-hours.



JIS Symbol



Flow Direction Symbols on Body

	Meter-out type	Meter-in type
Symbol		
JIS Symbol		

Model

Model		Connection thread Uni thread	Applicable tubing O.D.													
Elbow type	Universal type		Metric size						Inch size							
			3.2	4	6	8	10	12	1/8"	5/32"	3/16"	1/4"	5/16"	3/8"	1/2"	
AS22□IF-U01	AS23□IF-U01	1/8"	○	○	○	○	○	○	○	○	○	○	○	○	○	○
AS22□IF-U02	AS23□IF-U02	1/4"		●	●	●	●	●				●	●	●	●	●
AS32□IF-U02	AS33□IF-U02	1/4"			○	○	○	○					○	○	●	
AS32□IF-U03	AS33□IF-U03	3/8"			●	●	●	●					●	●	●	
AS42□IF-U04	AS43□IF-U04	1/2"						●	●						●	●

Note 1) * Elbow type only

Note 2) □ indicates the control type ("0" for meter-out and "1" for meter-in).

Note 3) Meter-out and meter-in types can be visually differentiated by the lock nut.

The lock nut on the meter-out type is electroless nickel plated, while that on the meter-in type is black zinc chromate plated.

Note 4) Models marked with "○" are nickel plated as standard.

Specifications

Fluid	Air
Max. operating pressure	1 MPa
Min. operating pressure	0.1 MPa
Proof pressure	1.5 MPa
Ambient and fluid temperature	-5 to 60°C (No freezing)
Number of needle rotations	10 turns
Applicable tubing material ⁽¹⁾	Nylon, Soft-nylon, Polyurethane
Mounting thread	Uni-thread
Thread seal	Gasket
Option	Hexagon lock nut, Electroless nickel plated ⁽²⁾

Note 1) Use caution regarding the max. operating pressure when soft nylon or polyurethane tubing is used. (Refer to pages 371 and 372 for details.)

Note 2) Brass parts are all electroless nickel plated.

Flow Rate and Effective Area

Model		AS22□IF-U01 AS23□IF-U02		AS22□IF-U02 AS23□IF-U02		AS32□IF AS33□IF			AS42□IF-U04 AS43□IF-U04		
Tubing O.D.	Metric size	ø3.2, ø4	ø6, ø8, ø4	ø4	ø6	ø8, ø10	ø6	ø8	ø10, ø12	ø10	ø12
	Inch size	1/8", 5/32"	3/16", 1/4", 5/16"	5/32"	3/16"	1/4", 5/16", 3/8"	1/4"	5/16"	3/8"	3/8"	1/2"
Controlled flow (Free flow)	Flow rate (ℓ /min (ANR))	180	230	260	390	460	660	790	920	1580	1710
	Effective area (mm ²)	2.7	3.7	4	6	7	10	12	14	24	26

Note 1) Flow rate values are measured at 0.5 MPa and 20°C.

Note 2) □ indicates the control type ("0" for meter-out and "1" for meter-in).

AS

ASP

ASN

AQ

ASV

AK

VCHC

ASS

ASR

ASQ

KE

TMH

How to Order

AS 2 2 1 1F - U02 - 06

Body size

2	1/8, 1/4 standard
3	3/8 standard
4	1/2 standard

Type

2	Elbow
3	Universal

Control type

0	Meter-out
1	Meter-in

Made to Order

X260	Antistatic type
------	-----------------

Refer to page 450 for details.

Option*

Nil	None
K	Hexagonal lock nut
N	Electroless nickel plated

* If more than one option is required, write option part numbers in the order of "K", "N".

Applicable tubing O.D.

Metric size		Inch size	
23	ø3.2*	01	1/8"
04	ø4	03	5/32"
06	ø6	05	3/16"
08	ø8	07	1/4"
10	ø10	09	5/16"
12	ø12	11	3/8"
		13	1/2"

* Use ø1/8" tube.

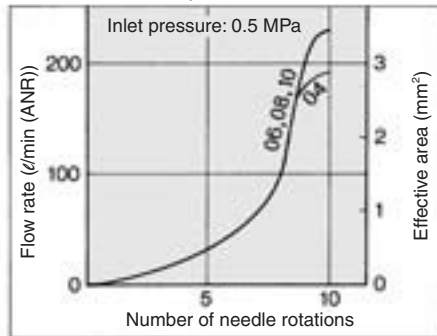
With One-touch fitting

Bore size

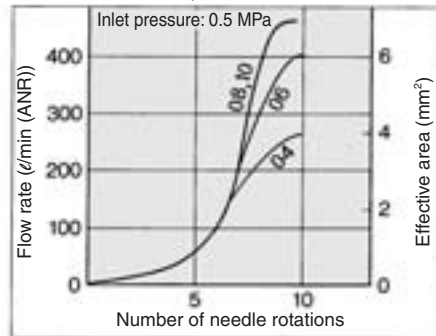
U01	Uni 1/8
U02	Uni 1/4
U03	Uni 3/8
U04	Uni 1/2

Needle Valve/Flow Characteristics

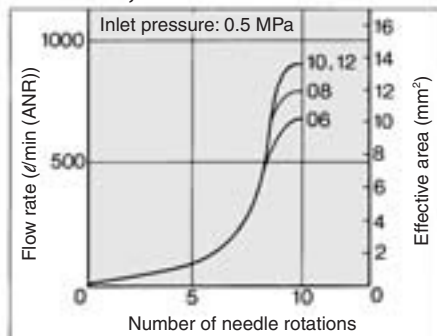
AS2201F-U01, AS2211F-U01
AS2301F-U01, AS2311F-U01



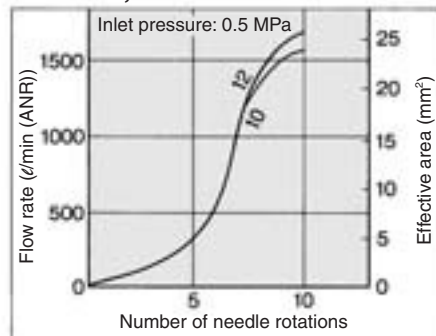
AS2201F-U02, AS2211F-U02
AS2301F-U02, AS2311F-U02



AS3201F, AS3211F
AS3301F, AS3311F

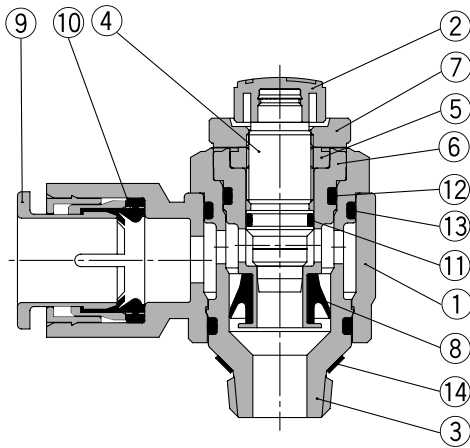


AS4201F, AS4211F
AS4301F, AS4311F

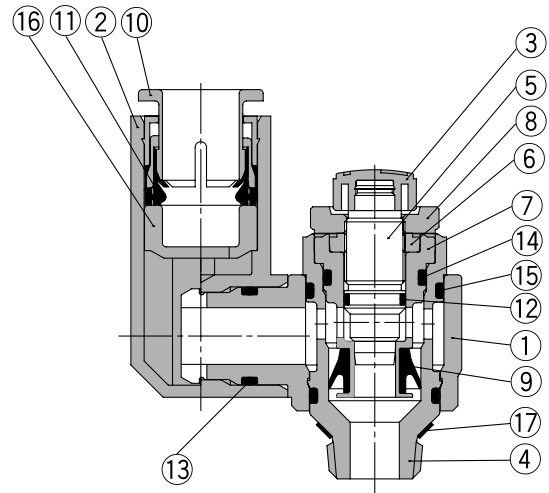


Construction/Component Parts

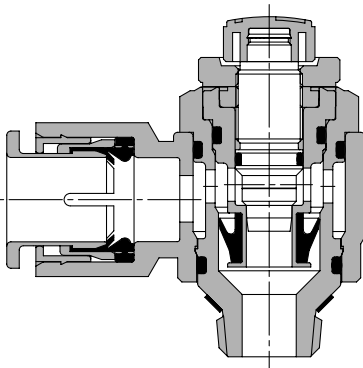
Elbow type Meter-out type



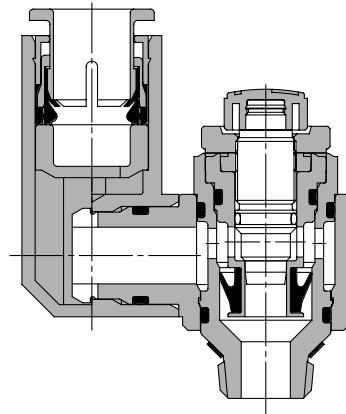
Universal type Meter-out type



Meter-in type



Meter-in type



Component Parts: Elbow Type

No.	Description	Material	Note
1	Body A	PBT	
2	Handle	PBT	
3	Body B	Brass	Electroless nickel plated
4	Needle	Brass	Electroless nickel plated
5	Needle guide	Brass	Electroless nickel plated
6	Seat ring	Brass	⁽¹⁾
7	Lock nut	Brass ⁽²⁾	Electroless nickel plated ⁽³⁾
8	U seal	HNBR	
9	Cassette	—	
10	Seal	NBR	
11	O-ring	NBR	
12	O-ring	NBR	
13	O-ring	NBR	
14	Gasket	NBR, Stainless steel	

Note 1) Only AS22□1F-U01 and AS32□1F-U02 are electroless nickel plated.

Note 2) AS22□1F type is made of steel.

Note 3) Meter-in type is black zinc chromate plated.

Component Parts: Universal Type

No.	Description	Material	Note
1	Body A	PBT	
2	Elbow body	PBT	
3	Handle	PBT	
4	Body B	Brass	Electroless nickel plated
5	Needle	Brass	Electroless nickel plated
6	Needle guide	Brass	Electroless nickel plated
7	Seat ring	Brass	⁽¹⁾
8	Lock nut	Brass ⁽²⁾	Electroless nickel plated ⁽³⁾
9	U seal	HNBR	
10	Cassette	—	
11	Seal	NBR	
12	O-ring	NBR	
13	O-ring	NBR	
14	O-ring	NBR	
15	O-ring	NBR	
16	Spacer	—	
17	Gasket	NBR, Stainless steel	

Note 1) Only AS22□1F-U01 and AS32□1F-U02 are electroless nickel plated.

Note 2) AS22□1F type is made of steel.

Note 3) Meter-in type is black zinc chromate plated.

AS

ASP

ASN

AQ

ASV

AK

VCHC

ASS

ASR

ASQ

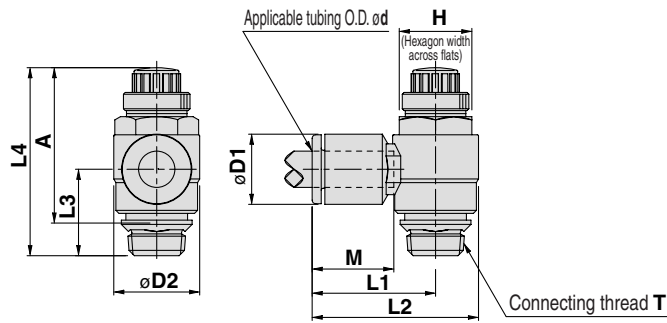
KE

TMH

Series AS



Elbow Type/Metric Size



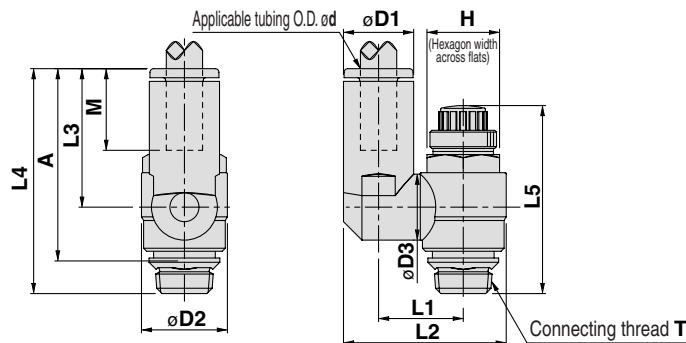
Model	Applicable tubing O.D. ød	T Uni thread	H	øD1	øD2	L1	L2	L3	L4 (1)		A (2)		M	Mass (g)
									Max.	Min.	Max.	Min.		
AS22□1F-U01-23	3.2	1/8	12	7.8	14.2	20.8	27.9	14.3	36.1	31.1	30.5	25.5	14.5	17
AS22□1F-U01-04	4			8.9		21.1	28.2							17
AS22□1F-U01-06	6			11.0		22.5	29.6							17
AS22□1F-U01-08	8			15.2		25.3	32.4							19
AS22□1F-U01-10	10			18.5		33.1	40.2							21.0
AS22□1F-U02-04	4	1/4	17	8.9	18.5	23.3	32.5	17.2	39.4	34.4	32.0	26.6	14.5	32
AS22□1F-U02-06	6			11.0		23.9	33.1							32
AS22□1F-U02-08	8			15.2		27.2	36.4							34
AS22□1F-U02-10	10			18.5		35.3	44.5							36
AS32□1F-U02-06	6	1/4	19	11.0	23.0	26.4	37.9	20.3	45.9	40.9	38.1	33.1	15.5	53
AS32□1F-U02-08	8			15.2		29.5	41.0							55
AS32□1F-U02-10	10			18.5		31.8	43.3							57
AS32□1F-U02-12	12			20.9		32.8	44.3							59
AS32□1F-U03-06	6	3/8	19	11.0	23.0	26.4	37.9	19.4	45.0	40.0	37.6	32.6	15.5	53
AS32□1F-U03-08	8			15.2		29.5	41.0							55
AS32□1F-U03-10	10			18.5		31.8	43.3							57
AS32□1F-U03-12	12			20.9		32.8	44.3							59
AS42□1F-U04-10	10			1/2		24	18.5							28.6
AS42□1F-U04-12	12	20.9	34.6		48.9		22.0	95						

Note 1) Reference dimensions

Note 2) Reference dimensions of Uni thread after installation.



Universal Type/Metric Size



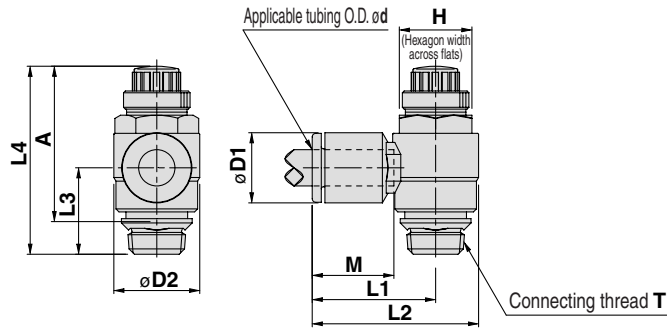
Model	Applicable tubing O.D. ød	T Uni thread	H	øD1	øD2	øD3	L1	L2	L3	L4	L5 (1)		A (2)		M	Mass (g)		
											Max.	Min.	Max.	Min.				
AS23□1F-U01-23	3.2	1/8	12	7.8	14.2	9.3	13.4	24.8	18.9	33.2	36.1	31.1	30.5	25.5	14.5	17		
AS23□1F-U01-04	4			8.9												21.1	28.2	17
AS23□1F-U01-06	6			11.0												22.5	29.6	18
AS23□1F-U01-08	8			15.2												25.3	32.4	21
AS23□1F-U02-04	4			1/4												17	8.9	18.5
AS23□1F-U02-06	6	11.0	10.9		16.7	31.4	20.6	37.8	33									
AS23□1F-U02-08	8	15.2	12.9		18.3	35.2	24.4	40.8	36									
AS23□1F-U02-10	10	18.5	19.6		38.1	26.8	43.2	40										
AS33□1F-U02-06	6	1/4	19	11.0	23.0	10.9	18.9	35.9	20.6	42.5	45.9	40.9	38.1	33.1	15.5	54		
AS33□1F-U02-08	8			15.2		12.9	20.6	39.7	24.4	43.7						57		
AS33□1F-U02-10	10			18.5		16.2	22.5	43.3	28.3	48.6						61		
AS33□1F-U02-12	12			20.9		23.5	45.5	29.3	49.6	63								
AS33□1F-U03-06	6	3/8	19	11.0	23.0	10.9	18.9	35.9	20.6	41.6	45.0	40.0	37.6	32.6	15.5	54		
AS33□1F-U03-08	8			15.2		12.9	20.6	39.7	24.4	42.8						57		
AS33□1F-U03-10	10			18.5		16.2	22.5	43.3	28.3	47.7						61		
AS33□1F-U03-12	12			20.9		23.5	45.5	29.3	48.7	63								
AS43□1F-U04-10	10			1/2		24	18.5	28.6	16.2	25.3						48.9	28.3	50.7
AS43□1F-U04-12	12	20.9	19.4		26.8		51.6		30.8	53.2	22.0	100						

Note 1) Reference dimensions

Note 2) Reference dimensions of Uni thread after installation.



Elbow Type/Inch Size



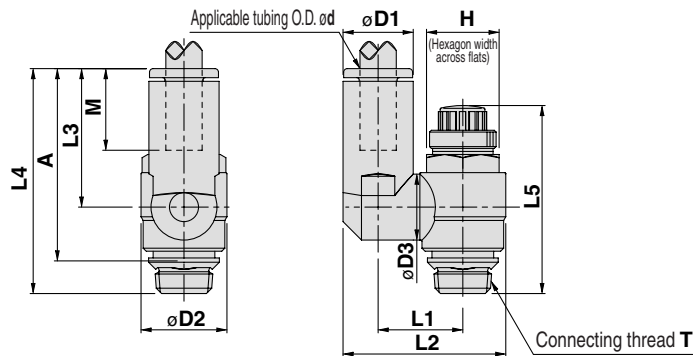
Model	Applicable tubing O.D. ød	T Uni thread	H	øD1	øD2	L1	L2	L3	L4 (1)		A (2)		M	Mass (g)
									Max.	Min.	Max.	Min.		
AS22□1F-U01-01	1/8"	1/8	12	7.8	14.2	20.8	27.9	14.3	36.1	31.1	30.5	25.5	14.5	17
AS22□1F-U01-03	5/32"			8.9		21.1	28.2							17
AS22□1F-U01-05	3/16"			11.4		23.1	30.2							16.5
AS22□1F-U01-07	1/4"			13.2		23.9	31.0							17.0
AS22□1F-U01-09	5/16"			15.2		25.3	32.4							18.5
AS22□1F-U02-03	5/32"	1/4	17	8.9	18.5	23.3	32.5	17.2	39.4	34.4	32.0	26.6	14.5	32
AS22□1F-U02-05	3/16"			11.4		24.9	34.2							16.5
AS22□1F-U02-07	1/4"			13.2		25.2	34.5							17.0
AS22□1F-U02-09	5/16"			15.2		27.2	36.4							18.5
AS22□1F-U02-11	3/8"			17.9		35.3	44.5							21.0
AS32□1F-U02-07	1/4"	1/4	19	13.2	23.0	27.8	39.3	20.3	45.9	40.9	38.1	33.1	17.0	54
AS32□1F-U02-09	5/16"			15.2		29.5	41.0							18.5
AS32□1F-U02-11	3/8"			17.9		31.8	43.3							21.0
AS32□1F-U03-07	1/4"	3/8	19	13.2	23.0	27.8	39.3	19.4	45.0	40.0	37.6	32.6	17.0	54
AS32□1F-U03-09	5/16"			15.2		29.5	41.0							18.5
AS32□1F-U03-11	3/8"			17.9		31.8	43.3							21.0
AS42□1F-U04-11	3/8"	1/2	24	17.9	18.6	33.6	47.9	22.4	54.6	47.1	44.5	37.0	21.0	94
AS42□1F-U04-13	1/2"			21.4		35.2	49.5							22.0

Note 1) Reference dimensions

Note 2) Reference dimensions of Uni thread after installation.



Universal Type/Inch Size



Model	Applicable tubing O.D. ød	T Uni thread	H	øD1	øD2	øD3	L1	L2	L3	L4	L5 (1)		A (2)		M	Mass (g)
											Max.	Min.	Max.	Min.		
AS23□1F-U01-01	1/8"	1/8	12	7.8	14.2	9.3	13.4	24.8	18.9	33.2	36.1	31.1	30.5	25.5	14.5	17
AS23□1F-U01-03	5/32"			8.9												17
AS23□1F-U01-05	3/16"			11.4												16.5
AS23□1F-U01-07	1/4"			13.2												17.0
AS23□1F-U01-09	5/16"			15.2												18.5
AS23□1F-U02-03	5/32"	1/4	17	8.9	18.5	9.3	15.6	29.2	18.9	36.1	39.4	34.4	32.0	26.6	14.5	32
AS23□1F-U02-05	3/16"			11.4												16.5
AS23□1F-U02-07	1/4"			13.2												17.0
AS23□1F-U02-09	5/16"			15.2												18.5
AS23□1F-U02-11	3/8"			17.9												21.0
AS33□1F-U02-07	1/4"	1/4	19	13.2	23.0	11.4	19.6	37.7	22.3	44.2	45.9	40.9	38.1	33.1	17.0	56
AS33□1F-U02-09	5/16"			15.2												20.6
AS33□1F-U02-11	3/8"			17.9												22.5
AS33□1F-U03-07	1/4"	3/8	19	13.2	23.0	11.4	19.6	37.7	22.3	43.3	45.0	40.0	37.6	32.6	17.0	56
AS33□1F-U03-09	5/16"			15.2												20.6
AS33□1F-U03-11	3/8"			17.9												22.5
AS43□1F-U04-11	3/8"	1/2	24	17.9	28.6	16.2	25.3	48.6	28.3	50.7	54.6	47.1	44.5	37.0	21.1	97
AS43□1F-U04-13	1/2"			21.7												19.4

Note 1) Reference dimensions

Note 2) Reference dimensions of Uni thread after installation.

- AS
- ASP
- ASN
- AQ
- ASV
- AK
- VCHC
- ASS
- ASR
- ASQ
- KE
- TMH



Please contact SMC for detailed dimensions, specifications, and delivery.

Antistatic Type

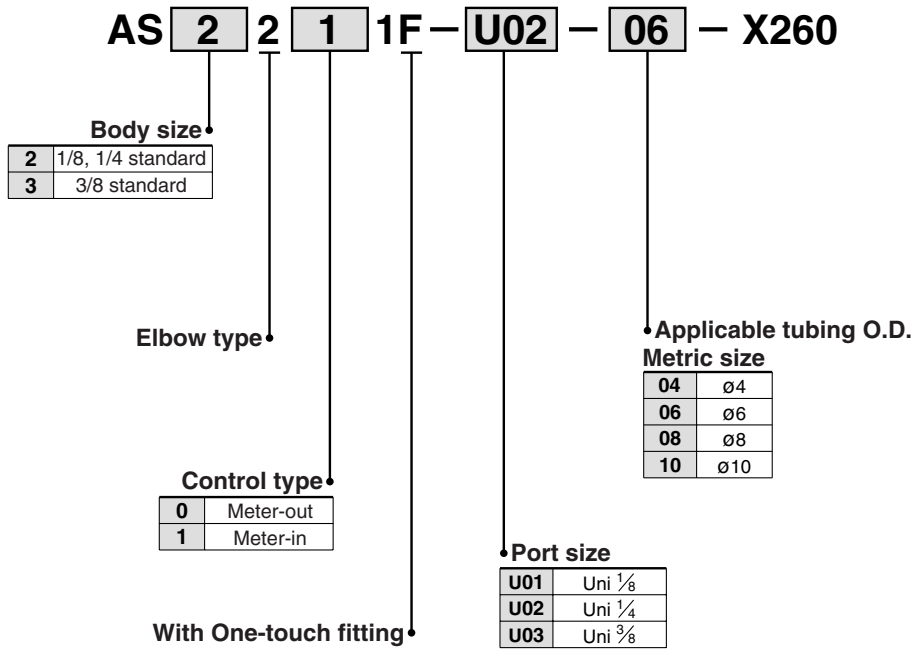
X260

Model

Model	Applicable tubing O.D.			
	Metric size			
	4	6	8	10
AS22□1F-U01	●	●	●	●
AS22□1F-U02	●	●	●	●
AS32□1F-U03		●	●	

Note 1) Electroless nickel plated

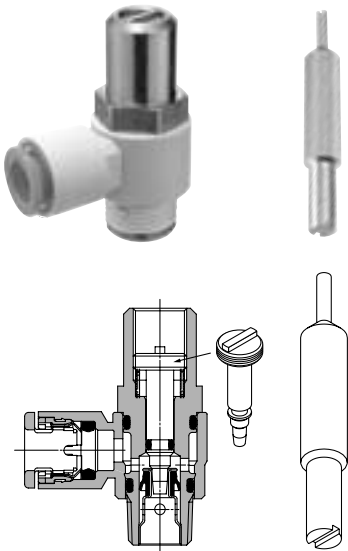
How to Order



Tamper Proof Speed Controller with One-touch Fitting Elbow Type/Universal Type

Series AS□□□1F-T

Able to adjust flow by a special tool
Prevention of an unnecessary manual operation



Special tool
Part number: AS-T-1

Elbow type



Universal type



Model

Elbow type	Universal type	Port size	Applicable tubing O.D.														Applicable cylinder bore size (mm)	
			Metric size							Inch size								
			3.2	4	6	8	10	12	1/8"	5/32"	3/16"	1/4"	5/16"	3/8"	1/2"			
AS12□1F-M5	AS13□1F-M5	M5 x 0.8	●	●	●													6, 10, 16, 20
AS22□1F-01	AS23□1F-01	R 1/8	●	●	●	●	●	●										20, 25, 32
AS22□1F-02	AS23□1F-02	R 1/4		●	●	●	●											20, 25, 32, 40
AS32□1F-02	AS33□1F-02	R 1/4			●	●	●	●										40, 50, 63
AS32□1F-03	AS33□1F-03	R 3/8			●	●	●	●										40, 50, 63
AS42□1F-04	AS43□1F-04	R 1/2						●	●									63, 80, 100
AS12□1F-U10/32	AS13□1F-U10/32	10-32 UNF								●	●	●	●					6, 10, 16, 20
AS22□1F-N01	AS23□1F-N01	NPT 1/8								●	●	●	●	●				20, 25, 32
AS22□1F-N02	AS23□1F-N02	NPT 1/4									●	●	●	●	●			20, 25, 32, 40
AS32□1F-N02	AS33□1F-N02	NPT 1/4										●	●	●				40, 50, 63
AS32□1F-N03	AS33□1F-N03	NPT 3/8											●	●	●			40, 50, 63
AS42□1F-N04	AS43□1F-N04	NPT 1/2														●	●	63, 80, 100

Note 1) * Elbow type only

Note 2) Meter-out and meter-in types can be visually differentiated by the flow direction symbol on the resin body.

Specifications

Fluid	Air
Proof pressure	1.5 MPa
Max. operating pressure	1 MPa
Min. operating pressure	0.1 MPa
Ambient and fluid temperature	-5 to 60°C (No freezing)
Number of needle rotations	10 turns (8 turns ⁽¹⁾)
Applicable tubing material ⁽²⁾	Nylon, Soft nylon, Polyurethane

Note 1) In the case of AS12□1F-M5 and AS12□1F-U10/32 types
AS13□1F-M5, AS13□1F-U10/32

Note 2) Use caution regarding the max. operating pressure when soft nylon or polyurethane tubing is used.
(Refer to pages 371 and 372 for details.)

Note 3) Brass parts are all electroless nickel plated, provided as standard.

How to Order

AS 2 2 1 1 F - 01 - 06 S T -

Body size	
1	M5 standard
2	1/8, 1/4 standard
3	3/8 standard
4	1/2 standard

Type	
2	Elbow
3	Universal

Control	
0	Meter-out
1	Meter-in

With One-touch fitting

Port size	
M5	M5 x 0.8
01	R 1/8
02	R 1/4
03	R 3/8
04	R 1/2
U10/32	10-32 UNF
N01	NPT 1/8
N02	NPT 1/4
N03	NPT 3/8
N04	NPT 1/2

Tamper proof
Speed Controller requires a special tool for flow adjustment. Order separately with part number, AS-T-1.

With seal
Note) In case that connecting port is either M5 or 10-32 UNF thread, it is not available with seal. With gasket is provided as standard.

Applicable tubing O.D.			
Metric size		Inch size	
23	ø3.2*	01	ø1/8"
04	ø4	03	ø5/32"
06	ø6	05	ø3/16"
08	ø8	07	ø1/4"
10	ø10	09	ø5/16"
12	ø12	11	ø3/8"
		13	ø1/2"

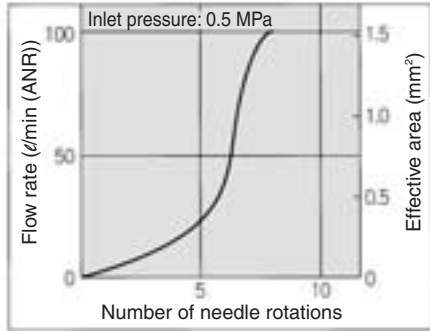
Made to Order
Refer to page 535 for details.

* Use ø1/8" tube.

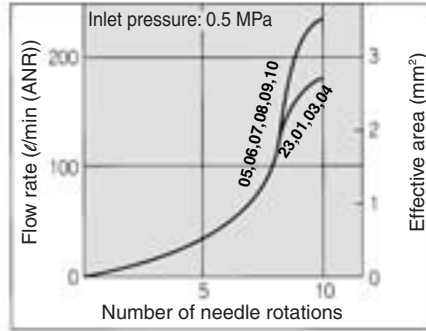
Made to Order
(Refer to page 535 for details.)

Needle Valve/Flow Characteristics

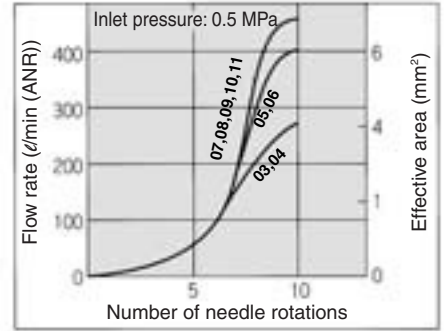
AS12□1F
AS13□1F



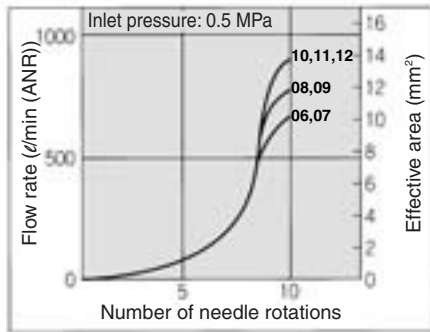
AS22□1F-□01
AS23□1F-□01



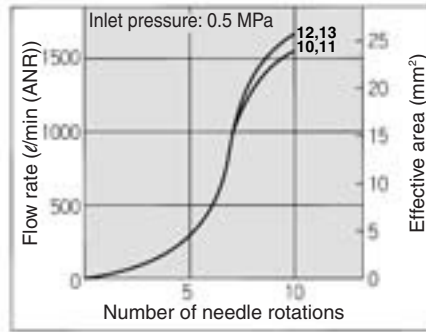
AS22□1F-□02
AS23□1F-□02



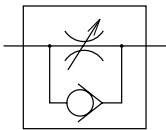
AS32□1F
AS33□1F



AS42□1F
AS43□1F



JIS Symbol



Flow Direction Symbols on Body

	Meter-out type	Meter-in type
Symbol		
JIS Symbol		

Caution

Be sure to read before handling.
Refer to front matters 58 and 59 for
Safety Instructions and pages 412 to 414
for Flow Control Equipment Precautions.

Flow Rate and Effective Area

Model		AS12□1F AS13□1F	AS22□1F-□01 AS23□1F-□01	AS22□1F-□02 AS23□1F-□02	AS32□1F AS33□1F	AS42□1F AS43□1F					
Tubing O.D.	Metric size	ø3.2, ø4, ø6	ø3.2, ø4, ø6, ø8, ø10	ø4, ø6, ø8, ø10	ø6, ø8, ø10, ø12	ø10, ø12					
	Inch size	ø1/8", ø5/32", ø3/16", ø1/4"	ø1/8", ø5/32", ø3/16", ø1/4", ø5/16"	ø5/32", ø3/16", ø1/4", ø5/16", ø3/8"	ø1/4", ø5/16", ø3/8"	ø3/8", ø1/2"					
Controlled flow (Free flow)	Flow rate (l/min (ANR))	100	180	230	260 390	460	660 790	920	1580	1710	
	Effective area (mm²)	1.5	2.7	3.5	4	6	7	10	12	14	24

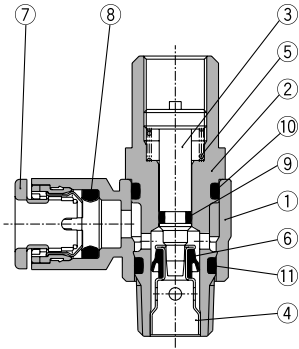
Note) Flow rate values are at a pressure of 0.5 MPa and a temperature of 20°C.

- AS
- ASP
- ASN
- AQ
- ASV
- AK
- VCHC
- ASS
- ASR
- ASQ
- KE
- TMH

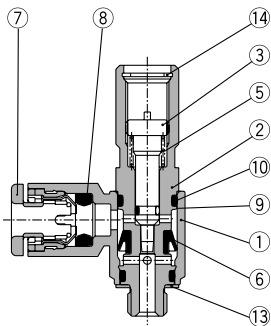
Series AS□□□1F-T

Construction

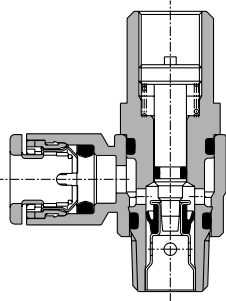
Elbow type
Meter-out type



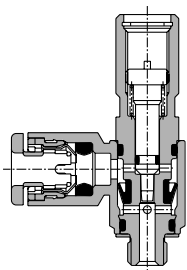
M5 type
U10/32 type



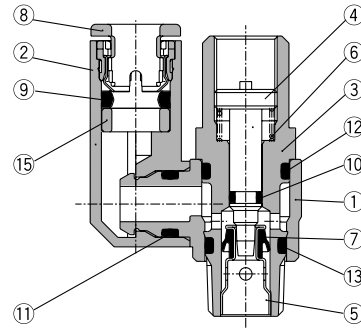
Meter-in type



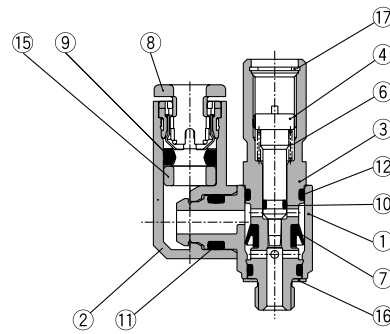
M5 type
U10/32 type



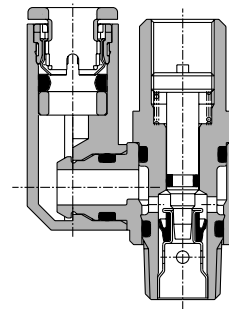
Universal type
Meter-out type



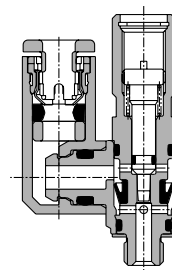
M5 type
U10/32 type



Meter-in type



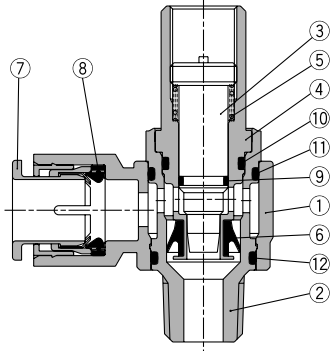
M5 type
U10/32 type



Construction

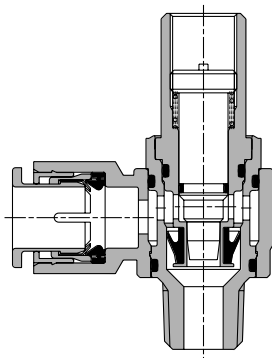
Elbow type Meter-out type

AS3201F-02



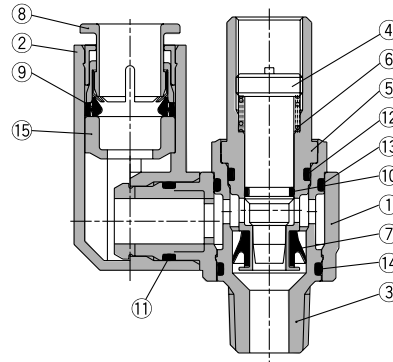
Meter-in type

AS3211F-02



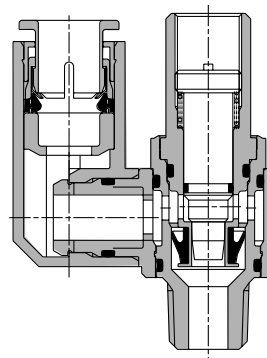
Universal type Meter-out type

AS3301F-02



Meter-in type

AS3311F-02



Component Parts

No.	Description	Material	Note
1	Body A	PBT	
2	Body B	Brass	Electroless nickel plated
3	Needle	Brass	Electroless nickel plated
4	Seat ring	Brass	Electroless nickel plated
5	Spring	Steel wire	
6	U seal	HNBR	
7	Cassette	—	
8	Seal	NBR	
9	O-ring	NBR	
10	O-ring	NBR	
11	O-ring	NBR	
12	O-ring	NBR	
13	Gasket	NBR, Stainless steel	
14	Retaining ring for hole type C	Tool steel	

Component Parts

No.	Description	Material	Note
1	Body A	PBT	
2	Elbow body	PBT	
3	Body B	Brass	Electroless nickel plated
4	Needle	Brass	Electroless nickel plated
5	Seat ring	Brass	Electroless nickel plated
6	Spring	Steel wire	
7	U seal	HNBR	
8	Cassette	—	
9	Seal	NBR	
10	O-ring	NBR	
11	O-ring	NBR	
12	O-ring	NBR	
13	O-ring	NBR	
14	O-ring	NBR	
15	Spacer	—	
16	Gasket	NBR, Stainless steel	
17	Retaining ring for hole type C	Tool steel	

AS

ASP

ASN

AQ

ASV

AK

VCHC

ASS

ASR

ASQ

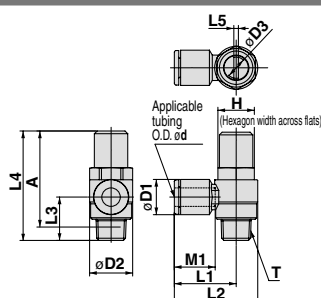
KE

TMH

Series AS□□□1F-T

Construction

Elbow type



Metric Size

Model	d	T	H	D1	D2	D3	L1	L2	L3	L4	L5	A*	M1	Mass (g)										
AS12□1F-M5-23T	3.2	M5 x 0.8	8	8.4	9.6	4.5	17.3	22.1	12.3	31	0.7	27.4	12.7	10										
AS12□1F-M5-04T	4			9.3									13.5											
AS12□1F-M5-06T	6			11.6									13.5											
AS22□1F-01-23ST	3.2	R 1/8	12	8.4	14.2	7	20.4	27.5	13.4	34.7	1.5	31.6	12.7	20										
AS22□1F-01-04ST	4			9.3									13.5											
AS22□1F-01-06ST	6			11.6									13.5											
AS22□1F-01-08ST	8			15.2									13.5											
AS22□1F-01-10ST	10			18.5									13.5											
AS22□1F-02-04ST	4			10.4									18.5		7	25.2	34.4	17.7	40.2	1.5	34.7	16	40	
AS22□1F-02-06ST	6			12.8																		17		17
AS22□1F-02-08ST	8	15.2	17	17																				
AS22□1F-02-10ST	10	18.5	17	17	21	44																		
AS32□1F-02-06ST	6	R 1/4	19	12.8	23	9.5	27.8	39.3	21.3	54.8	1.5	49.3	17	73										
AS32□1F-02-08ST	8			15.2									17		17									
AS32□1F-02-10ST	10			18.5									17		17									
AS32□1F-02-12ST	12			20.9									17		17	22	82							
AS32□1F-03-06ST	6			12.8									23		9.5	27.8	39.3	19.8	52.6	1.5	47.4	17	77	
AS32□1F-03-08ST	8			15.2																		17		17
AS32□1F-03-10ST	10			18.5																		17		17
AS32□1F-03-12ST	12	20.9	17	17	22	83																		
AS42□1F-04-10ST	10	R 1/2	24	18.5	28.6	12	33.6	47.9	24.5	62.9	1.5	55.8	21	141										
AS42□1F-04-12ST	12			20.9									22		142									

* Reference dimensions of M5 x 0.8, R threads after installation.

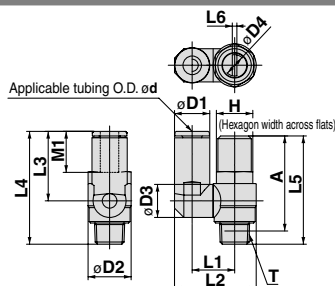
Inch Size

Model	d	T	H	D1	D2	D3	L1	L2	L3	L4	L5	A*	M1	Mass (g)							
AS12□1F-U10/32-01T	1/8"	10-32 UNF	8	8.4	9.6	4.5	17.3	22.1	12.3	31	0.7	27.4	12.7	10							
AS12□1F-U10/32-03T	5/32"			9.3									13.5								
AS12□1F-U10/32-05T	3/16"			11.4									13.5								
AS12□1F-U10/32-07T	1/4"			12									13.5								
AS22□1F-N01-01ST	1/8"	NPT 1/8	12.7	8.4	14.2	7	20.4	27.5	13.4	34.7	1.5	31.6	12.7	20							
AS22□1F-N01-03ST	5/32"			9.3									13.5								
AS22□1F-N01-05ST	3/16"			13.2									13.5								
AS22□1F-N01-07ST	1/4"			13.2									13.5								
AS22□1F-N01-09ST	5/16"			15.2									13.5								
AS22□1F-N02-03ST	5/32"			10.4									17.7		25.2	34.4	40.2	1.5	34.7	16	40
AS22□1F-N02-05ST	3/16"			12.8																17	
AS22□1F-N02-07ST	1/4"	15.2	17	17	21	44															
AS22□1F-N02-09ST	5/16"	15.2	17.5	18.5	7	25.2	34.5	17.7	40.2	1.5	34.7	18.5	42								
AS22□1F-N02-11ST	3/8"	18.5										18.5		18.5	21	44					
AS32□1F-N02-07ST	1/4"	13.2										17		17	17	73					
AS32□1F-N02-09ST	5/16"	NPT 1/4	19	15.2	23	9.5	29.5	41	21.3	54.8	1.5	49.3	18.5	76							
AS32□1F-N02-11ST	3/8"			17.9									17		17	21	80				
AS32□1F-N03-09ST	1/4"			13.2									17		17	17	77				
AS32□1F-N03-09ST	5/16"	NPT 3/8	19	15.2	23	9.5	29.5	41	19.8	52.6	1.5	47.4	18.5	79							
AS32□1F-N03-11ST	3/8"			17.9									17		17	21	81				
AS42□1F-N04-11ST	3/8"	NPT 1/2	23.8	17.9	28.6	12	33.6	47.9	24.5	62.9	1.5	55.8	21	141							
AS42□1F-N04-13ST	1/2"			21.7									22		142						

* Reference dimensions of 10-32 UNF and NPT threads after installation.

Dimensions

Universal type



Metric Size

Model	d	T	H	D1	D2	D3	D4	L1	L2	L3	L4	L5	L6	A*	M1	Mass (g)												
AS13□1F-M5-23T	3.2	M5 x 0.8	8	8.4	9.6	9.3	4.5	10.8	19.8	17.5	28.7	31	0.7	27.4	12.7	10												
AS13□1F-M5-04T	4			9.3											13.5													
AS13□1F-M5-06T	6			11.6											13.5													
AS23□1F-01-23ST	3.2	R 1/8	12	8.4	14.2	9.3	13.1	24.4	17.5	30.9	34.7	1.5	31.6	12.7	21													
AS23□1F-01-04ST	4			9.3										13.5														
AS23□1F-01-06ST	6			11.6										13.5														
AS23□1F-01-08ST	8			15.2										13.5														
AS23□1F-02-04ST	4			10.4										18.5		7	16.2	30.6	21.9	39.6	40.2	1.5	34.7	16	40			
AS23□1F-02-06ST	6			12.8																				17		17	41	
AS23□1F-02-08ST	8			15.2																				17		17	44	
AS23□1F-02-10ST	10	18.5	17	17	21	48																						
AS23□1F-02-12ST	12	20.9	17	17	22	82																						
AS33□1F-03-06ST	6	R 1/4	19	12.8	12.9	9.5	20.6	38.5	25.2	46.5	54.8	1.5	49.3	17	73													
AS33□1F-03-08ST	8			15.2										17		17	18.5	76										
AS33□1F-03-10ST	10			18.5										17		17	21	80										
AS33□1F-03-12ST	12			20.9										17		17	22	82										
AS33□1F-03-06ST	6			12.8										23		9.5	20.6	38.5	25.2	45	52.6	1.5	47.4	17	78			
AS33□1F-03-08ST	8			15.2																				17		17	18.5	81
AS33□1F-03-10ST	10			18.5																				17		17	21	85
AS33□1F-03-12ST	12	20.9	17	17	22	87																						
AS43□1F-04-10ST	10	R 1/2	24	18.5	28.6	12	25.8	49.4	32.6	57.1	62.9	1.5	55.8	21	145													
AS43□1F-04-12ST	12			20.9										22		147												

* Reference dimensions of M5 x 0.8, R threads after installation.

Inch Size

Model	d	T	H	D1	D2	D3	D4	L1	L2	L3	L4	L5	L6	A*	M1	Mass (g)						
AS13□1F-U10/32-01T	1/8"	10-32 UNF	8	8.4	9.6	9.3	4.5	10.8	19.8	17.5	28.7	31	0.7	27.4	12.7	10						
AS13□1F-U10/32-03T	5/32"			9.3											13.5							
AS13□1F-U10/32-05T	3/16"			11.4											13.5							
AS13□1F-U10/32-07T	1/4"			12											13.5							
AS23□1F-N01-01ST	1/8"	NPT 1/8	12.7	8.4	14.2	9.3	13.1	24.4	17.5	30.9	34.7	1.5	31.6	12.7	21							
AS23□1F-N01-03ST	5/32"			9.3										13.5								
AS23□1F-N01-05ST	3/16"			13.2										13.5								
AS23□1F-N01-07ST	1/4"			13.2										13.5								
AS23□1F-N01-09ST	5/16"			15.2										13.5								
AS23□1F-N02-03ST	5/32"			10.4										17.7		25.2	34.4	40.2	1.5	34.7	16	40
AS23□1F-N02-05ST	3/16"			11.4																	17	
AS23□1F-N02-07ST	1/4"	13.2	17	17	44																	
AS23□1F-N02-09ST	5/16"	NPT 1/4	17.5	13.2	19	7	14	26.8	23.9	37.3	34.7	1.5	31.6	18.5	23							
AS23□1F-N02-11ST	3/8"													17.9		17	17	21	80			
AS33□1F-N02-07ST	1/4"	NPT 3/8	19	13.2	23	9.5	20.6	38.7	25.6	46.9	54.8	1.5	49.3	17	73							
AS33□1F-N02-09ST	5/16"			15.2										17		17	18.5	76				
AS33□1F-N02-11ST	3/8"			17.9										17		17	21	81				
AS33□1F-N03-09ST	1/4"	NPT 1/2	23.8	13.2	29	12	20.6	38.7	25.6	45.4	52.6	1.5	47.4	17	78							
AS33□1F-N03-11ST	3/8"			17.9										17		17	21	81				
AS43□1F-N04-11ST	3/8"	NPT 1/2	23.8	17.9	29	12	25.8	49.4	32.6	57.1	62.9	1.5	55.8	21	145							
AS43□1F-N04-13ST	1/2"			21.7										22		147						

* Reference dimensions of 10-32 UNF and NPT threads after installation.

Series AS□□□1F-T

Made to Order Specifications

Please contact SMC for detailed dimensions, specifications and delivery.



Lubricant: Vaseline

X12

Ex.) AS1201F-M5-23T-X12

Grease-free (Seal: Fluorine coated) +
Throttle Valve (Without Check Valve)

X21

Ex.) AS1201F-M5-23T-X21

Note 1) Not particle-free

Note 2) Throttle valve is only compatible with the part no. of the meter-out type.

Throttle Valve (Without Check Valve)

X214

Ex.) AS1201F-M5-23T-X214

Note) Throttle valve is only compatible with the product no. of the meter-out type.

AS

ASP

ASN

AQ

ASV

AK

VCHC

ASS

ASR
ASQ

KE

TMH

Tamper Proof Speed Controller with One-touch Fittings In-line Type

Series AS□□□1F-T

Model



Model	Applicable tubing O.D.													Applicable cylinder bore size (mm)
	Metric size						Inch size							
	3.2	4	6	8	10	12	1/8"	5/32"	3/16"	1/4"	5/16"	3/8"	1/2"	
AS1001F	●	●	●				●	●	●	●				6, 10, 16, 20
AS2001F		●	●					●	●	●				20, 25, 32
AS2051F			●	●					●	●	●			20, 25, 32, 40
AS3001F			●	●	●	●				●	●	●		40, 50, 63
AS4001F					●	●						●	●	63, 80, 100

Specifications

Fluid	Air
Proof pressure	1.5 MPa
Max. operating pressure	1 MPa
Min. operating pressure	0.1 MPa
Ambient and fluid temperature	-5 to 60°C (No freezing)
Number of needle rotations	10 turns (8 turns (1))
Applicable tubing material (2)	Nylon, Soft nylon, Polyurethane

Note 1) In the case of AS1001F type

Note 2) Use caution regarding the max. operating pressure when soft nylon or polyurethane tubing is used. (Refer to pages 371 and 372 for details.)

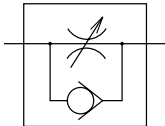
Note 3) Brass parts are all electroless nickel plated.

Flow Rate and Effective Area

Model		AS1001F	AS2001F	AS2051F	AS3001F	AS4001F					
Tubing O.D.	Metric size	ø3.2, ø4, ø6	ø4	ø6	ø6	ø8	ø6	ø8	ø10, ø12	ø10	ø12
	Inch size	ø1/8", ø5/32" ø3/16", ø1/4"	ø5/32"	ø3/16", ø1/4"	ø3/16"	ø1/4", ø5/16"	ø1/4"	ø5/16"	ø3/8"	ø3/8"	ø1/2"
Controlled flow (Free flow)	Flow rate (l/min (ANR))	100	130	230	290	460	420	660	920	1050	1390
	Effective area (mm ²)	1.5	2	3.5	4.5	7	6.5	10	14	16	21

Note) Flow rate values are measured at 0.5 MPa and 20°C.

JIS Symbol



Flow Direction Symbols on Body



Made to Order
(Refer to page 538 for details.)

Caution

Be sure to read before handling.
Refer to front matters 58 and 59 for
Safety Instructions and pages 412 to 414
for Flow Control Equipment Precautions.

How to Order

AS **200** 1F - **06** T - **□**

Body size

100	M5 standard
200	1/8 standard
205	1/4 standard
300	3/8 standard
400	1/2 standard

With One-touch fittings

Tamper proof
Note) Speed controller requires a special tool for flow adjustment. Order separately with part number, AS-T-1.

Applicable tubing O.D.

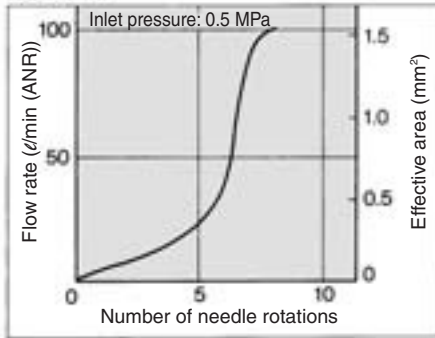
Metric size	Inch size
23	ø3.2 *
04	ø4
06	ø6
08	ø8
10	ø10
12	ø12
01	ø1/8"
03	ø5/32"
05	ø3/16"
07	ø1/4"
09	ø5/16"
11	ø3/8"
13	ø1/2"

* Use ø1/8" tube.

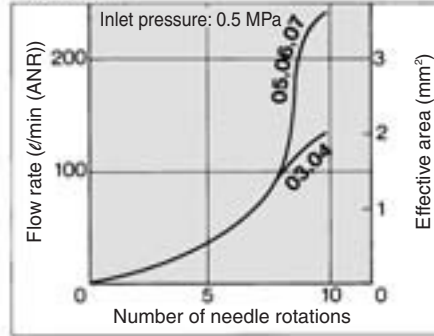
Made to Order
Refer to page 538 for details.

Needle Valve/Flow Characteristics

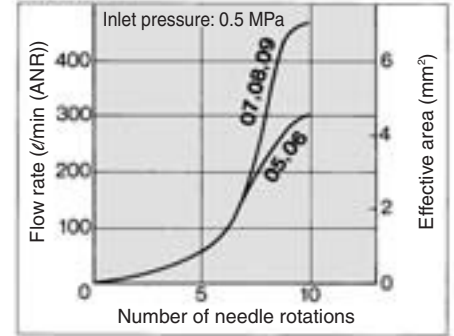
AS1001F



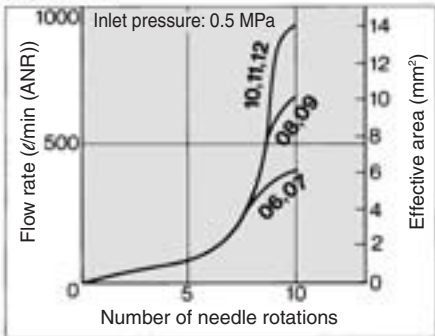
AS2001F



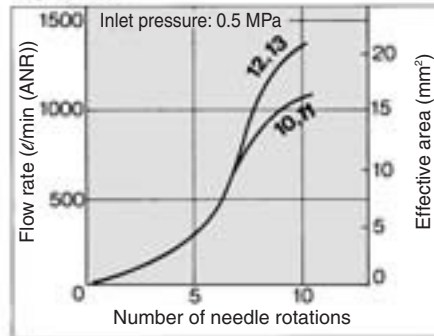
AS2051F



AS3001F

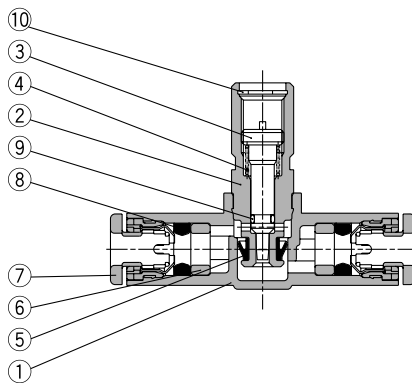


AS4001F

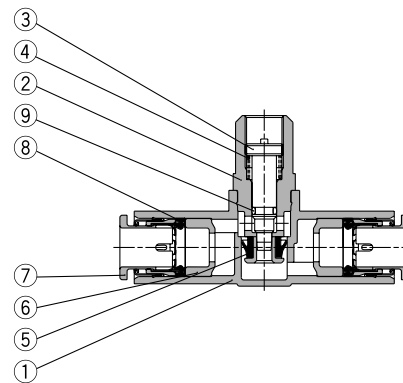


Construction

AS1001F



AS2001F to AS4001F



Component Parts

No.	Description	Material	Note
1	Body A	PBT	
2	Body B	Brass	Electroless nickel plated
3	Needle	Brass	Electroless nickel plated
4	Spring	Steel wire	
5	U seal	HNBR	
6	Spacer	—	
7	Cassette	—	
8	Seal	NBR	
9	O-ring	NBR	
10	Retaining ring for hole type C	Tool steel	

AS

ASP

ASN

AQ

ASV

AK

VCHC

ASS

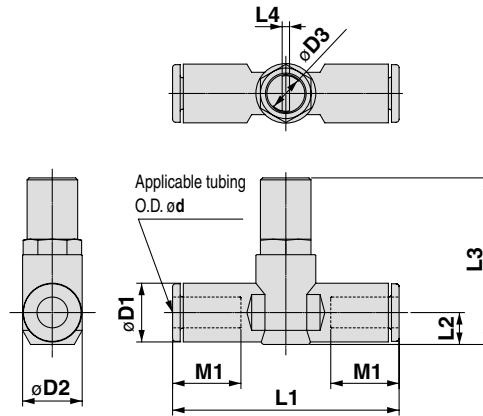
ASR
ASQ

KE

TMH

Series AS□□□1F-T

Dimensions



Metric Size

Model	d	D1	D2	D3	L1	L2	L3	L4	M1	Mass (g)
AS1001F-23T	3.2	8.4	10	4.5	38	4.5	26	0.7	12.7	8
AS1001F-04T	4	9.3			39.2	5.2	26.6		13.5	9
AS1001F-06T	6	11.6			40.7	6.2	27.7		13.5	10
AS2001F-04T	4	9.3	11.8	7	40.7	5.2	31.9	1.5	12.7	15
AS2001F-06T	6	11.6			44.8	6.3	33		13.5	16
AS2051F-06T	6	12.8	14.8	7	53.2	6.7	35.2	1.5	17	33
AS2051F-08T	8	15.2			59.8	8.1	36.5		18	36
AS3001F-06T	6	12.8	19.8	9.5	59	7.4	45	1.5	17	56
AS3001F-08T	8	15.2			64.4	8.2	45.8		18	60
AS3001F-10T	10	18.5			71.6	9.8	47.3		21	64
AS3001F-12T	12	20.9			76	11	48.5		22	68
AS4001F-10T	10	18.5	26.5	12	77.7	11.3	55.4	1.5	21	121
AS4001F-12T	12	20.9			82.1		56.4		22	125

Inch Size

Model	d	D1	D2	D3	L1	L2	L3	L4	M1	Mass (g)
AS1001F-01T	1/8"	8.4	10	4.5	38	4.5	26	0.7	12.7	8
AS1001F-03T	5/32"	9.3			39.2	5.2	26.6		13.5	9
AS1001F-05T	3/16"	11.4			48.7	6.2	27.7		13.5	14
AS1001F-07T	1/4"	12	11.8	7	40.7	5.2	31.9	1.5	12.7	15
AS2001F-03T	5/32"	9.3			40.7	5.2	31.9		12.7	15
AS2001F-05T	3/16"	11.4	11.8	7	50	6.2	32.8	1.5	16.5	21
AS2001F-07T	1/4"	13.2			52.2	7.1	33.7		17	19
AS2051F-05T	3/16"	11.4	14.8	7	52.2	6.2	34.9	1.5	16.5	35
AS2051F-07T	1/4"	13.2			54.4	7.1	35.7		17	33
AS2051F-09T	5/16"	15.2	19.8	9.5	59.8	8.1	36.7	1.5	18	36
AS3001F-07T	1/4"	13.2			59	7.4	45.2		17	56
AS3001F-09T	5/16"	15.2	19.8	9.5	64.4	8.2	46	1.5	18	60
AS3001F-11T	3/8"	17.9			70.8	9.5	47.2		21	72
AS4001F-11T	3/8"	17.9	26.5	12	76.9	10.3	55.5	1.5	21	129
AS4001F-13T	1/2"	21.7			83.1	11.6	56.9		22	142

Made to Order



Lubricant: Vaseline

X12

Ex.) AS1001F-23T-X12

Grease-free (Seal: Fluorine coated) +
Throttle Valve (Without Check Valve)

X21

Ex.) AS1001F-23T-X21

Note 1) Not particle-free

Throttle Valve (Without Check Valve)

X214

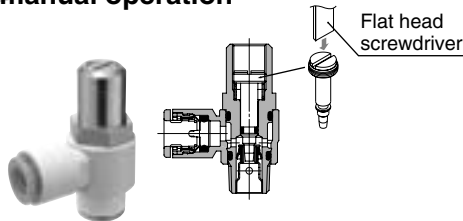
Ex.) AS1001F-23T-X214

Speed Controller Adjustable by Flat Head Screwdriver with One-touch Fitting Elbow Type/Universal Type

Series AS□□□1F-D

Flow adjustable
by flat head screwdriver

Prevention of an unnecessary
manual operation



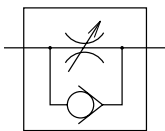
Elbow type



Universal type



JIS Symbol



Flow Direction Symbols on Body

	Meter-out type	Meter-in type
Symbol		
JIS Symbol		

Made to Order
(Refer to page 513 for details.)

Model

Elbow type	Universal type	Port size	Applicable tubing O.D.														Applicable cylinder bore size (mm)	
			Metric size							Inch size								
			3.2	4	6	8	10	12	1/8"	5/32"	3/16"	1/4"	5/16"	3/8"	1/2"			
AS12□1F-M5	AS13□1F-M5	M5 x 0.8	●	●	●													6, 10, 16, 20
AS22□1F-01	AS23□1F-01	R 1/8	●	●	●	●	●*											20, 25, 32
AS22□1F-02	AS23□1F-02	R 1/4		●	●	●	●											20, 25, 32, 40
AS32□1F-02	AS33□1F-02	R 1/4			●	●	●	●										40, 50, 63
AS32□1F-03	AS33□1F-03	R 3/8			●	●	●	●										40, 50, 63
AS42□1F-04	AS43□1F-04	R 1/2					●	●										63, 80, 100
AS12□1F-U10/32	AS13□1F-U10/32	10-32 UNF							●	●	●	●						6, 10, 16, 20
AS22□1F-N01	AS23□1F-N01	NPT 1/8							●	●	●	●	●					20, 25, 32
AS22□1F-N02	AS23□1F-N02	NPT 1/4								●	●	●	●	●				20, 25, 32, 40
AS32□1F-N02	AS33□1F-N02	NPT 1/4									●	●	●	●				40, 50, 63
AS32□1F-N03	AS33□1F-N03	NPT 3/8										●	●	●				40, 50, 63
AS42□1F-N04	AS43□1F-N04	NPT 1/2												●	●			63, 80, 100

Note 1) * Elbow type only

Note 2) Meter-out and meter-in types can be visually differentiated by the flow direction symbol on the resin body.

Specifications

Fluid	Air
Proof pressure	1.5 MPa
Max. operating pressure	1 MPa
Min. operating pressure	0.1 MPa
Ambient and fluid temperature	-5 to 60°C (No freezing)
Number of needle rotations	10 turns (8 turns ⁽¹⁾)
Applicable tubing material ⁽²⁾	Nylon, Soft nylon, Polyurethane

Note 1) In the case of AS12□1F-M5 and AS12□1F-U10/32 types

In the case of AS13□1F-M5 and AS13□1F-U10/32 types

Note 2) Use caution regarding the max. operating pressure when soft nylon or polyurethane tubing is used. (Refer to pages 371 and 372 for details.)

Note 3) Brass parts are all electroless nickel plated, provided as standard.

Flow Rate and Effective Area

Model	AS12□1F AS13□1F	AS22□1F-□01 AS23□1F-□01	AS22□1F-□02 AS23□1F-□02	AS32□1F AS33□1F	AS42□1F AS43□1F							
	Tubing O.D.	Metric size ø3.2, ø4, ø6	ø3.2, ø4, ø6, ø8, ø10	ø4, ø6, ø8, ø10	ø6, ø8, ø10, ø12	ø10, ø12						
	Inch size ø1/8", ø5/32" ø3/16", ø1/4"	ø1/8", ø3/16", ø1/4", ø5/32", ø5/16"	ø5/32", ø3/16", ø1/4", ø5/16", ø3/8"	ø1/4", ø5/16", ø3/8"	ø3/8", ø1/2"							
Controlled flow (Free flow)	Flow rate (l/min (ANR))	100	180	230	260	390	460	660	790	920	1580	1710
	Effective area (mm ²)	1.5	2.7	3.5	4	6	7	10	12	14	24	26

Note) Flow rate values are measured at 0.5 MPa and 20°C.

How to Order

AS 2 2 1 1 F - 01 - 06 S D -

Body size

1	M5 standard
2	1/8, 1/4 standard
3	3/8 standard
4	1/2 standard

Type

2	Elbow
3	Universal

Control

0	Meter-out
1	Meter-in

Port size

M5	M5 x 0.8
01	R 1/8
02	R 1/4
03	R 3/8
04	R 1/2
U10/32	10-32 UNF
N01	NPT 1/8
N02	NPT 1/4
N03	NPT 3/8
N04	NPT 1/2

Applicable tubing O.D.

Metric size	Inch size
23	ø3.2*
04	ø4
06	ø6
08	ø8
10	ø10
12	ø12

Inch size	Metric size
01	ø1/8"
03	ø5/32"
05	ø3/16"
07	ø1/4"
09	ø5/16"
11	ø3/8"
13	ø1/2"

Type adjustable by flat head screwdriver

With seal
 Note) In the case that port size is either M5 or 10-32 UNF thread, it is not available with seal. Gasket is provided as standard.

Made to Order
 Refer to the below for details.

With One-touch fitting

Made to Order



Lubricant: Vaseline

X12

Ex.) AS1201F-M5-23D-X12

Grease-free (Seal: Fluorine Coating) + Throttle Valve (Without Check Valve)

X21

Ex.) AS1201F-M5-23D-X21

Note 1) Not particle-free
 Note 2) Throttle valve is only compatible with the part no. of the meter-out type.

Throttle Valve (Without Check Valve)

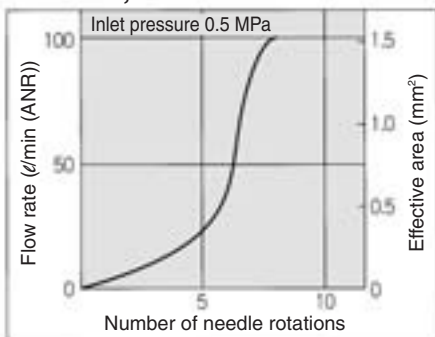
X214

Ex.) AS1201F-M5-23D-X214

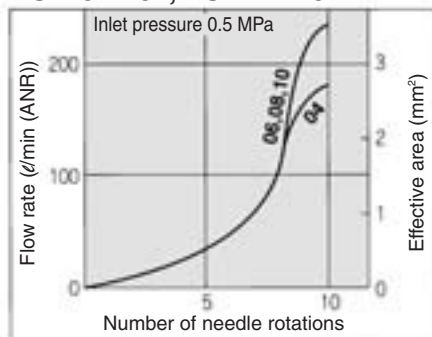
Note) Throttle valve is only compatible with the part no. of the meter-out type.

Needle Valve/Flow Characteristics

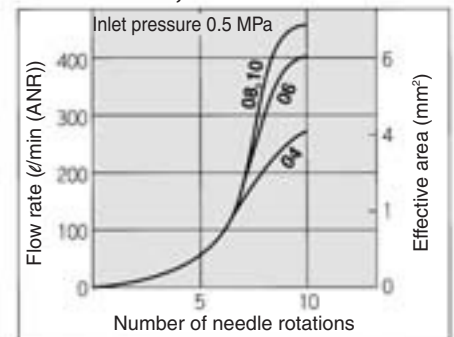
AS1201F, AS1211F



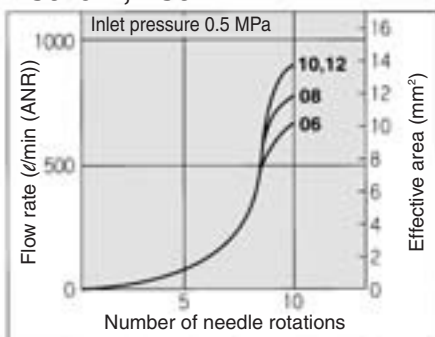
AS2201F-01, AS2211F-01



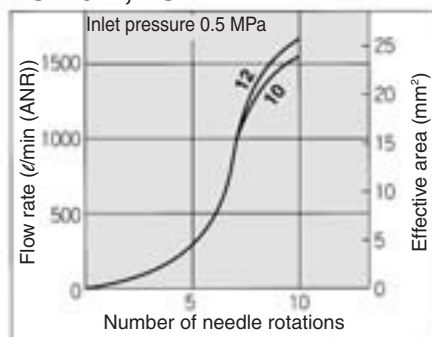
AS2201F-02, AS2211F-02



AS3201F, AS3211F



AS4201F, AS4211F

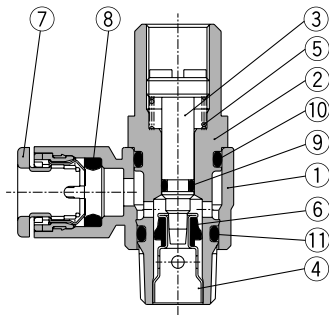


- AS
- ASP
- ASN
- AQ
- ASV
- AK
- VCHC
- ASS
- ASR
- ASQ
- KE
- TMH

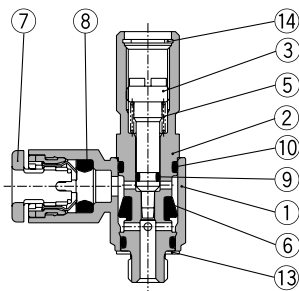
Series AS□□□1F-D

Construction

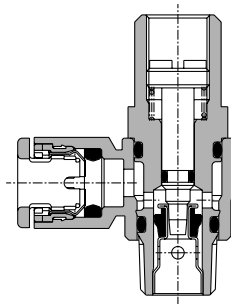
Elbow type
Meter-out type



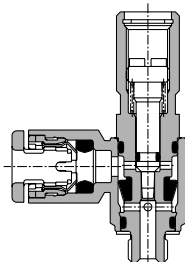
M5 type
U10/32 type



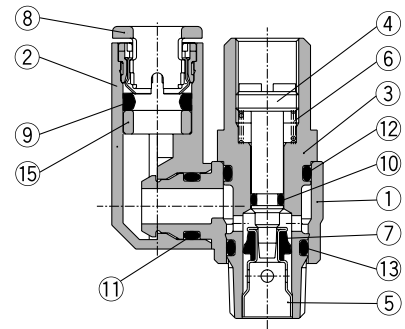
Meter-in type



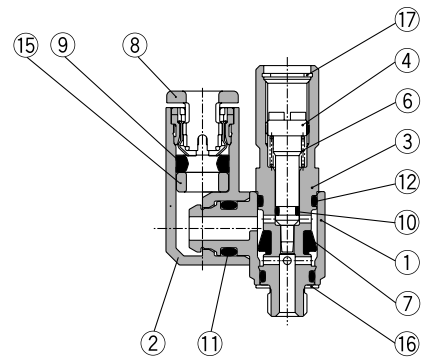
M5 type
U10/32 type



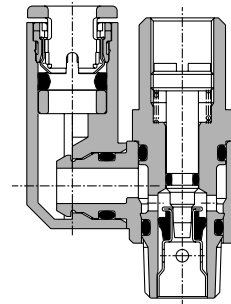
Universal type
Meter-out type



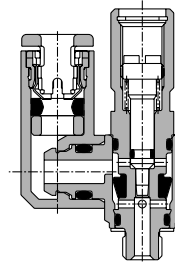
M5 type
U10/32 type



Meter-in type



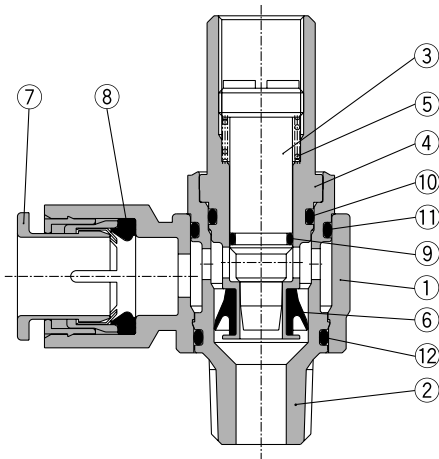
M5 type
U10/32 type



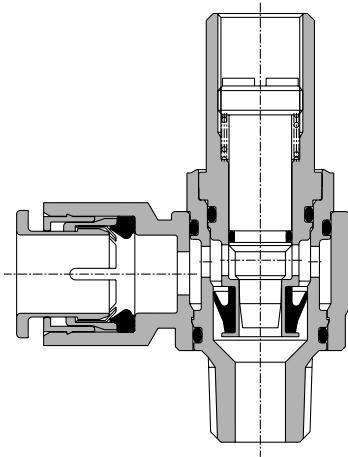
Construction

Elbow type

Meter-out AS3201F-02



Meter-in AS3211F-02

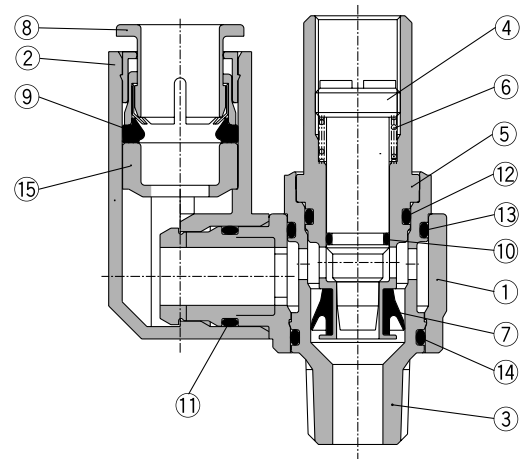


Component Parts

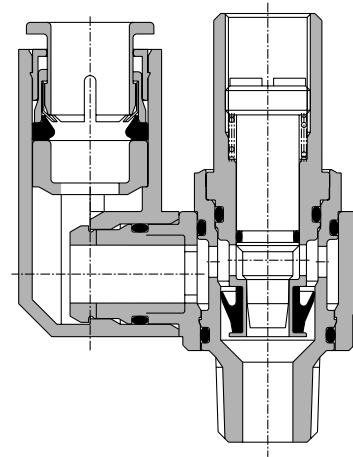
No.	Description	Material	Note
1	Body A	PBT	
2	Body B	Brass	Electroless nickel plated
3	Needle	Brass	Electroless nickel plated
4	Seat ring	Brass	Electroless nickel plated
5	Spring	Steel wire	
6	U seal	HNBR	
7	Cassette	—	
8	Seal	NBR	
9	O-ring	NBR	
10	O-ring	NBR	
11	O-ring	NBR	
12	O-ring	POM	
13	Gasket	NBR, Stainless steel	
14	Retaining ring for hole type C	Tool steel	

Universal type

Meter-out AS3301F-02



Meter-in AS3311F-02



Component Parts

No.	Description	Material	Note
1	Body A	PBT	
2	Elbow body	PBT	
3	Body B	Brass	Electroless nickel plated
4	Needle	Brass	Electroless nickel plated
5	Seat ring	Brass	Electroless nickel plated
6	Spring	Steel wire	
7	U seal	HNBR	
8	Cassette	—	
9	Seal	NBR	
10	O-ring	NBR	
11	O-ring	NBR	
12	O-ring	NBR	
13	O-ring	NBR	
14	O-ring	NBR	
15	Spacer	—	
16	Gasket	NBR, Stainless steel	
17	Retaining ring for hole type C	Tool steel	

AS

ASP

ASN

AQ

ASV

AK

VCHC

ASS

ASR
ASQ

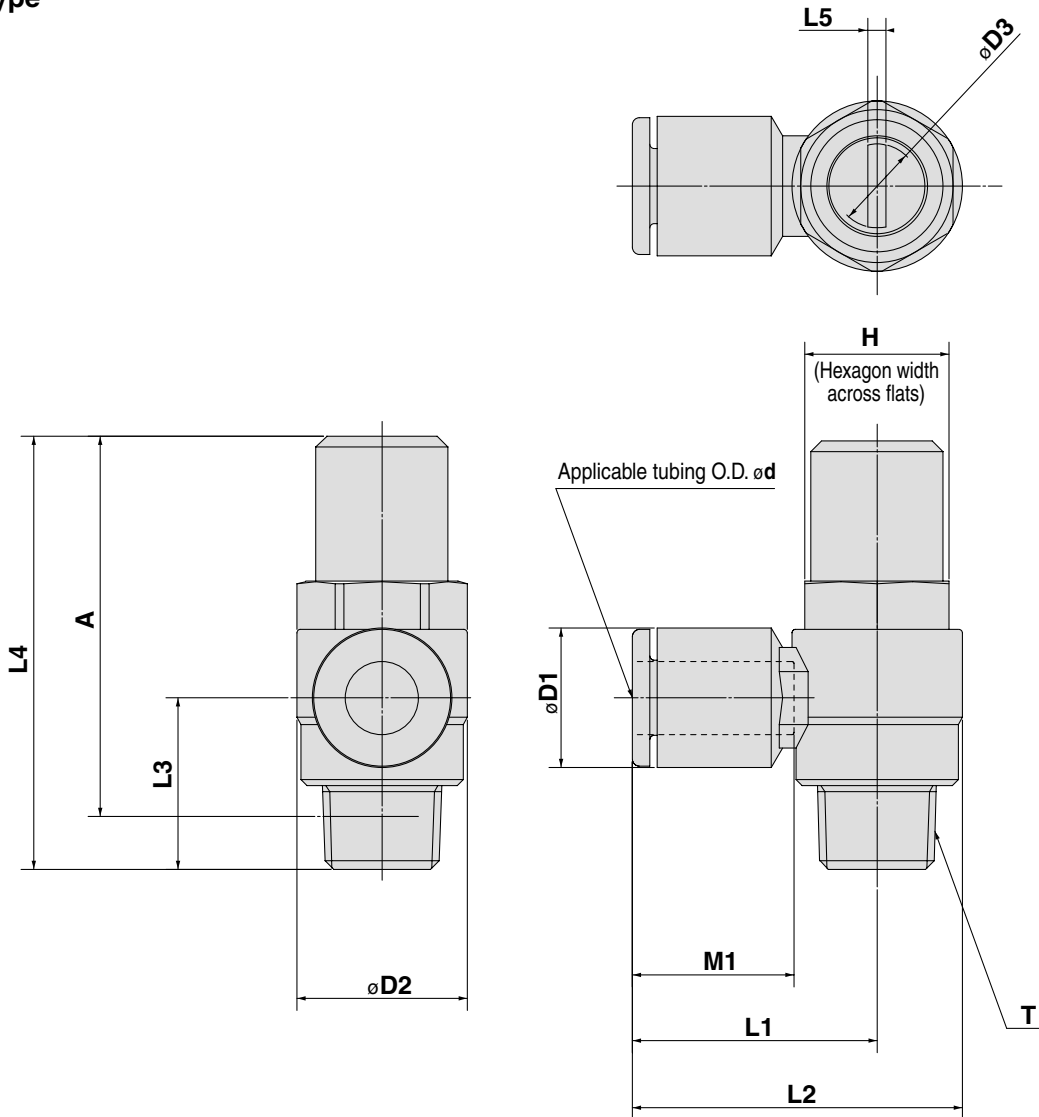
KE

TMH

Series AS□□□1F-D

Dimensions

Elbow type



Metric Size

Model	d	T	H	D1	D2	D3	L1	L2	L3	L4	L5	A*	M1	Mass (g)			
AS12□1F-M5-23D	3.2	M5 x 0.8	8	8.4	9.6	4.7	17.3	22.1	12.3	31	0.7	27.4	12.7	10			
AS12□1F-M5-04D	4			9.3			18.1	22.9	11.7				13.5				
AS12□1F-M5-06D	6			11.6			18.1	22.9	11.7				13.5				
AS22□1F-01-23SD	3.2	R 1/8	12	8.4	14.2	7.2	20.4	27.5	13.4	34.7	1.2	31.6	12.7	20			
AS22□1F-01-04SD	4			9.3									25.3	32.4	13.5	23	
AS22□1F-01-06SD	6			11.6									25.3	32.4	13.5	23	
AS22□1F-01-08SD	8			15.2									25.3	32.4	13.5	23	
AS22□1F-01-10SD	10			18.5									25.3	32.4	13.5	23	
AS22□1F-02-04SD	4			10.4									25.2	34.4	16	40	
AS22□1F-02-06SD	6			12.8									25.2	34.4	17	40	
AS22□1F-02-08SD	8	15.2	27.2	36.4	18.5	42											
AS22□1F-02-10SD	10	18.5	27.2	36.4	21	44											
AS32□1F-02-06SD	6	R 1/4	17	18.5	7.2	25.2	34.4	17.7	40.2	1.2	34.7	17	40				
AS32□1F-02-08SD	8											29.5		41	18.5	76	
AS32□1F-02-10SD	10											18.5		23	9.8	21	80
AS32□1F-02-12SD	12											20.9		32.8	44.3	22	82
AS32□1F-03-06SD	6											12.8		27.8	39.3	17	77
AS32□1F-03-08SD	8											15.2		29.5	41	18.5	79
AS32□1F-03-10SD	10											18.5		31.8	43.3	21	81
AS32□1F-03-12SD	12	20.9	32.8	44.3	22	83											
AS42□1F-04-10SD	10	R 1/2	24	28.6	12.4	33.6	47.9	24.5	62.9	1.2	55.8	21	141				
AS42□1F-04-12SD	12											20.9	34.6	48.9	22	142	

* Reference dimensions of M5 x 0.8, R threads after installation.

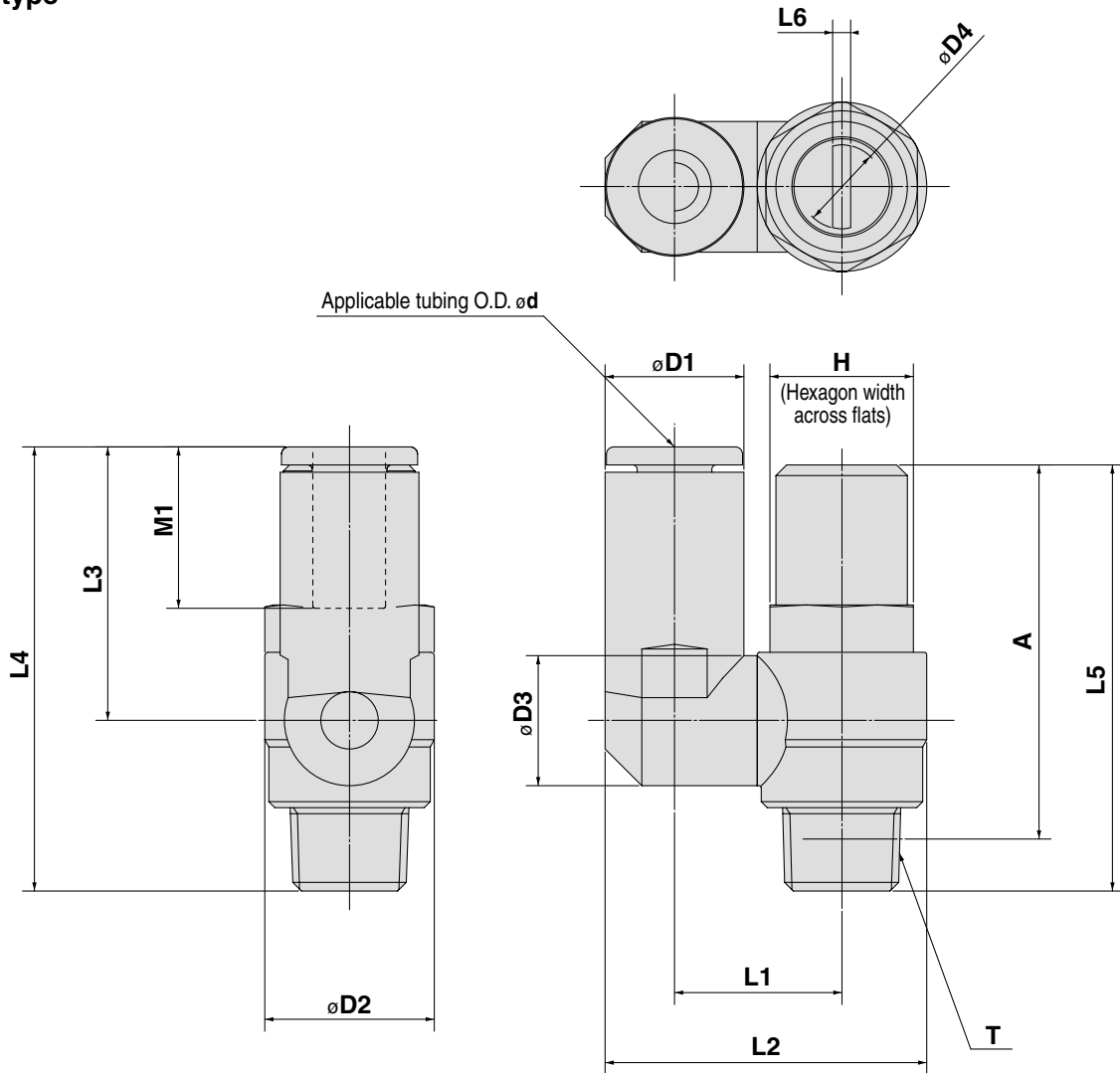
Inch Size

Model	d	T	H	D1	D2	D3	L1	L2	L3	L4	L5	A*	M1	Mass (g)									
AS12□1F-U10/32-01D	1/8"	10-32 UNF	8	8.4	9.6	4.7	17.3	22.1	12.3	31	0.7	27.4	12.7	10									
AS12□1F-U10/32-03D	5/32"			9.3			21.3	26.1	11.7				16.5										
AS12□1F-U10/32-05D	3/16"			11.4			21.3	26.1	11.7				16.5										
AS12□1F-U10/32-07D	1/4"	12	18.3	23.1	11.7	13.5																	
AS22□1F-N01-01SD	1/8"	NPT 1/8	12.7	8.4	14.2	7.2	20.4	27.5	13.4	34.7	1.2	31.6	12.7	20									
AS22□1F-N01-03SD	5/32"			9.3			24	31.1					13.4	34.7	1.2	31.6	16.5	23					
AS22□1F-N01-05SD	3/16"			13.2			23.9	31					13.4	34.7	1.2	31.6	18.5	23					
AS22□1F-N01-07SD	1/4"			15.2			25.3	32.4					13.4	34.7	1.2	31.6	21	25					
AS22□1F-N01-09SD	5/16"			15.2			25.3	32.4					13.4	34.7	1.2	31.6	21	25					
AS22□1F-N02-03SD	5/32"			10.4			25.2	34.4					16	40									
AS22□1F-N02-07SD	3/16"			12.8			25.2	34.4					17	40									
AS22□1F-N02-07SD	1/4"	NPT 1/4	17.5	13.2	18.5	7.2	25.2	34.5	17.7	40.2	1.2	34.7	18.5	42									
AS22□1F-N02-09SD	5/16"						15.2	27.2					36.4	13.4	34.7	1.2	34.7	18.5	42				
AS22□1F-N02-11SD	3/8"						18.3	35.3					44.5	19.5	44								
AS32□1F-N02-07SD	1/4"						13.2	27.8					39.3	17	73								
AS32□1F-N02-09SD	5/16"						NPT 1/4	19					15.2	23	9.8	29.5	41	21.3	54.8	1.2	49.3	18.5	76
AS32□1F-N02-11SD	3/8"															17.9	31.8	43.3	21	80			
AS32□1F-N03-07SD	1/4"															13.2	27.8	39.3	17	73			
AS32□1F-N03-09SD	5/16"	NPT 3/8	19	15.2	23	9.8	29.5	41	19.8	52.6	1.2	47.4	18.5	79									
AS32□1F-N03-11SD	3/8"						17.9	31.8	43.3	21	81												
AS42□1F-N04-11SD	3/8"						NPT 1/2	23.8	17.9	28.6	12.4	33.6	47.9	24.5	62.9	1.2	55.8	21	141				
AS42□1F-N04-13SD	1/2"	21.7	35.2	49.5	22	142																	

* Reference dimensions of 10-32 UNF and NPT threads after installation.

Dimensions

Universal type



Metric Size

Model	d	T	H	D1	D2	D3	D4	L1	L2	L3	L4	L5	L6	A*	M1	Mass (g)
AS13□1F-M5-23D	3.2			8.4				19.8	17.5	28.7					12.7	10
AS13□1F-M5-04D	4	M5 x 0.8	8	9.3	9.6	9.3	4.7	10.8	20.3	21.4	20.6	31.8		0.7	27.4	13.5
AS13□1F-M5-06D	6			11.6												
AS23□1F-01-23SD	3.2			8.4		9.3		13.1	24.4	17.5	30.9				12.7	21
AS23□1F-01-04SD	4			9.3					24.9	17.5	30.9					22
AS23□1F-01-06SD	6	R 1/8	12	11.6	14.2	10.9	7.2	14	26.9	22.9	36.3	34.7	1.2	31.6	13.5	25
AS23□1F-01-08SD	8			15.2		12.9		16.2	30.9	28.2	40.8				18.5	40
AS23□1F-02-04SD	4			10.4		10.9		16.2	30.6	21.9	39.6				16	40
AS23□1F-02-06SD	6			12.8				18.4	34	25.2	42.1				17	41
AS23□1F-02-08SD	8	R 1/4	17	15.2	18.5	12.9	7.2	18.3	35.2	28.2	45.1	40.2	1.2	34.7	18.5	44
AS23□1F-02-10SD	10			18.5				20.2	38.7	31	47.9				21	48
AS33□1F-02-06SD	6			12.8		12.9		20.6	38.5	25.2	46.5				17	73
AS33□1F-02-08SD	8			15.2					39.7	28.2	49.5				18.5	76
AS33□1F-02-10SD	10	R 1/4	19	18.5	23		9.8	23	43.7	32.6	53.9	54.8	1.2	49.3	21	80
AS33□1F-02-12SD	12			20.9		16.2		23	44.9	34.4	55.7				22	82
AS33□1F-03-06SD	6			12.8		12.9		20.6	38.5	25.2	45				17	78
AS33□1F-03-08SD	8			15.2					39.7	28.2	48				18.5	81
AS33□1F-03-10SD	10	R 3/8	19	18.5	23		9.8	23	43.7	32.6	52.4	52.6	1.2	47.4	21	85
AS33□1F-03-12SD	12			20.9		16.2		23	44.9	34.4	54.2				22	87
AS43□1F-04-10SD	10			18.5		16.2		25.8	49.4	32.6	57.1				21	145
AS43□1F-04-12SD	12	R 1/2	24	20.9	28.6	19.4	12.4	26.8	52	36.3	60.8	62.9	1.2	55.8	22	147

* Reference dimensions of M5 x 0.8, R threads after installation.

Inch Size

Model	d	T	H	D1	D2	D3	D4	L1	L2	L3	L4	L5	L6	A*	M1	Mass (g)
AS13□1F-U10/32-01D	1/8"			8.4											12.7	10
AS13□1F-U10/32-03D	5/32"			9.3												
AS13□1F-U10/32-05D	3/16"	10-32 UNF	8	11.4	9.6	9.3	4.7	10.8	21.3	23.3	34.5	31	0.7	37.4	16.5	11
AS13□1F-U10/32-07D	1/4"			12					21.6	20.7	31.9				13.7	
AS23□1F-N01-01SD	1/8"			8.4		9.3		13.1	24.4	17.5	30.9				12.7	21
AS23□1F-N01-03SD	5/32"			9.3					24.9	17.5	30.9					22
AS23□1F-N01-05SD	3/16"	NPT 1/8	12.7	11.4	14	10.9	7.2	14	26.8	23.9	37.3	34.7	1.2	31.6	16.5	25
AS23□1F-N01-07SD	1/4"			13.2		12.9		16.2	29.9	25.6	38.2				18.5	23
AS23□1F-N01-09SD	5/16"			15.2					30.9	28.2	40.8				21	25
AS23□1F-N02-03SD	5/32"			10.4		10.9		16.2	30.6	21.9	39.6				16	40
AS23□1F-N02-05SD	3/16"			11.4					31.1	23.9	41.6				17	41
AS23□1F-N02-07SD	1/4"	NPT 1/4	17.5	13.2	19	12.9	7.2	18.3	34.2	25.6	42.5	40.2	1.2	34.7	18.5	44
AS23□1F-N02-09SD	5/16"			15.2		12.9		20.2	35.2	28.2	45.1				21	47
AS23□1F-N02-11SD	3/8"			17.9					38.7	31	47.9				21	48
AS33□1F-N02-07SD	1/4"			13.2		12.9		20.6	38.7	25.6	46.9				17	73
AS33□1F-N02-09SD	5/16"	NPT 1/4	19	15.2	23	9.8		23	39.7	28.2	49.5	54.8	1.2	49.3	18.5	76
AS33□1F-N02-11SD	3/8"			17.9		16.2		23	43.7	32.6	53.9				21	82
AS33□1F-N03-07SD	1/4"			13.2		12.9		20.6	38.7	25.6	45.4				17	78
AS33□1F-N03-09SD	5/16"	NPT 3/8	19	15.2	23	9.8		23	39.7	28.2	48	52.6	1.2	47.4	18.5	81
AS33□1F-N03-11SD	3/8"			17.9		16.2		23	43.7	32.6	52.4				21	87
AS43□1F-N04-11SD	3/8"	NPT 1/2	23.8	17.9	29	16.2	12.4	25.8	49.4	32.6	57.1	62.9	1.2	55.8	21	145
AS43□1F-N04-13SD	1/2"			21.7		19.4		26.8	52	36.3	60.8				22	147

* Reference dimensions of 10-32 UNF and NPT threads after installation.

- AS
- ASP
- ASN
- AQ
- ASV
- AK
- VCHC
- ASS
- ASR
- ASQ
- KE
- TMH

Speed Controller Adjustable by Flat Head Screwdriver with One-touch Fittings In-line Type

Series AS□□□1F-D



Model

Model	Applicable tubing O.D.												Applicable cylinder bore size (mm)	
	Metric size						Inch size							
	3.2	4	6	8	10	12	1/8"	5/32"	3/16"	1/4"	5/16"	3/8"		1/2"
AS1001F	●	●	●				●	●	●	●				6, 10, 16, 20
AS2001F		●	●					●	●	●				20, 25, 32
AS2051F			●	●					●	●	●			20, 25, 32, 40
AS3001F			●	●	●	●			●	●	●			40, 50, 63
AS4001F					●	●						●	●	63, 80, 100

Specifications

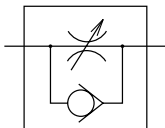
Fluid	Air
Proof pressure	1.5 MPa
Max. operating pressure	1 MPa
Min. operating pressure	0.1 MPa
Ambient and fluid temperature	-5 to 60°C (No freezing)
Number of needle rotations	10 turns (8 turns (1))
Applicable tubing material (2)	Nylon, Soft nylon, Polyurethane

Note 1) In the case of AS1001F type

Note 2) Use caution regarding the max. operating pressure when soft nylon or polyurethane tubing is used. (Refer to pages 371 and 372 for details.)

Note 3) Brass parts are all electroless nickel plated.

JIS Symbol



Flow Direction Symbols on Body



Made to Order
(Refer to page 521 for details.)

Caution

Be sure to read before handling.
Refer to front matters 58 and 59 for Safety Instructions and pages 412 to 414 for Flow Control Equipment Precautions.

Flow Rate and Effective Area

Model	AS1001F	AS2001F		AS2051F		AS3001F			AS4001F		
		Metric size	AS1001F	AS2001F	AS2051F	AS3001F	AS3001F	AS3001F	AS4001F	AS4001F	
Tubing O.D.	Metric size	ø3.2, ø4, ø6	ø4	ø6	ø6	ø8	ø6	ø8	ø10, ø12	ø10	ø12
	Inch size	ø1/8", ø5/32", ø3/16", ø1/4"	ø5/32"	ø3/16", ø1/4"	ø3/16"	ø1/4", ø5/16"	ø1/4"	ø5/16"	ø3/8"	ø3/8"	ø1/2"
Controlled flow (Free flow)	Flow rate (l/min (ANR))	100	130	230	290	460	420	660	920	1050	1390
	Effective area (mm ²)	1.5	2	3.5	4.5	7	6.5	10	14	16	21

Note) Flow rate values are measured at 0.5 MPa and 20°C

How to Order

AS **200** 1F — **06** D — **□**

Body size

100	M5 standard
200	1/8 standard
205	1/4 standard
300	3/8 standard
400	1/2 standard

Type adjustable by flat head screwdriver

Made to Order
Refer to page 521 for details.

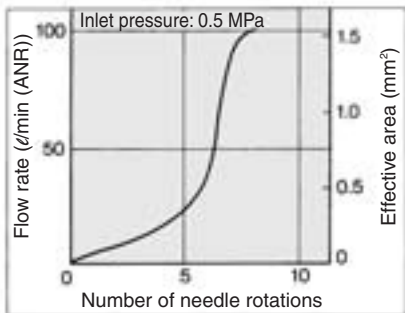
Applicable tubing O.D.

Metric size	Inch size
23	ø3.2*
04	ø4
06	ø6
08	ø8
10	ø10
12	ø12
01	ø1/8"
03	ø5/32"
05	ø3/16"
07	ø1/4"
09	ø5/16"
11	ø3/8"
13	ø1/2"

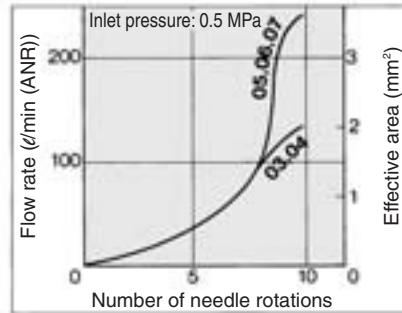
* Use ø1/8" tube.

Needle Valve/Flow Characteristics

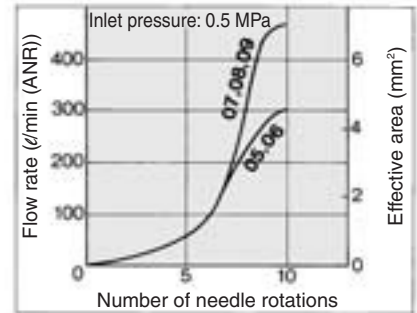
AS1001F



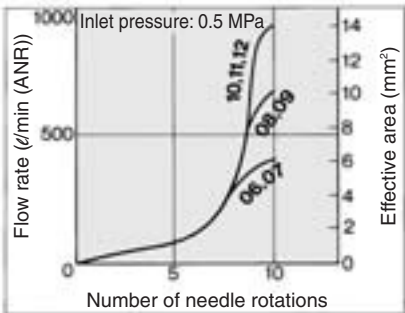
AS2001F



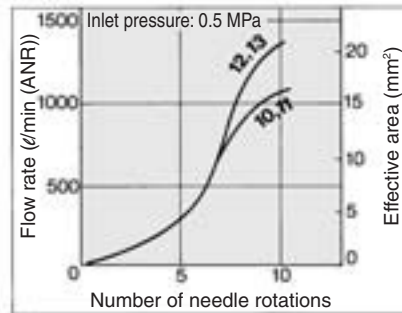
AS2051F



AS3001F

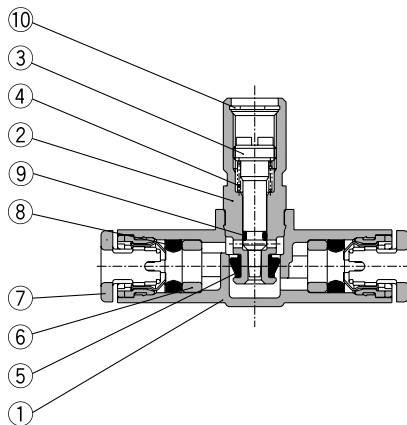


AS4001F

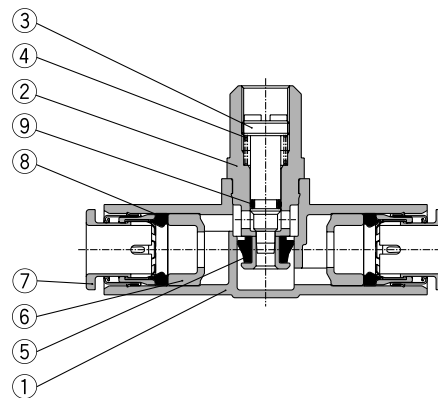


Construction

AS1001F



AS2001F to AS4001F



Component Parts

No.	Description	Material	Note
1	Body A	PBT	
2	Body B	Brass	Electroless nickel plated
3	Needle	Brass	Electroless nickel plated
4	Spring	Steel wire	
5	U seal	HNBR	
6	Spacer	—	
7	Cassette	—	
8	Seal	NBR	
9	O-ring	NBR	
10	Retaining ring for hole type C	Tool steel	

AS

ASP

ASN

AQ

ASV

AK

VCHC

ASS

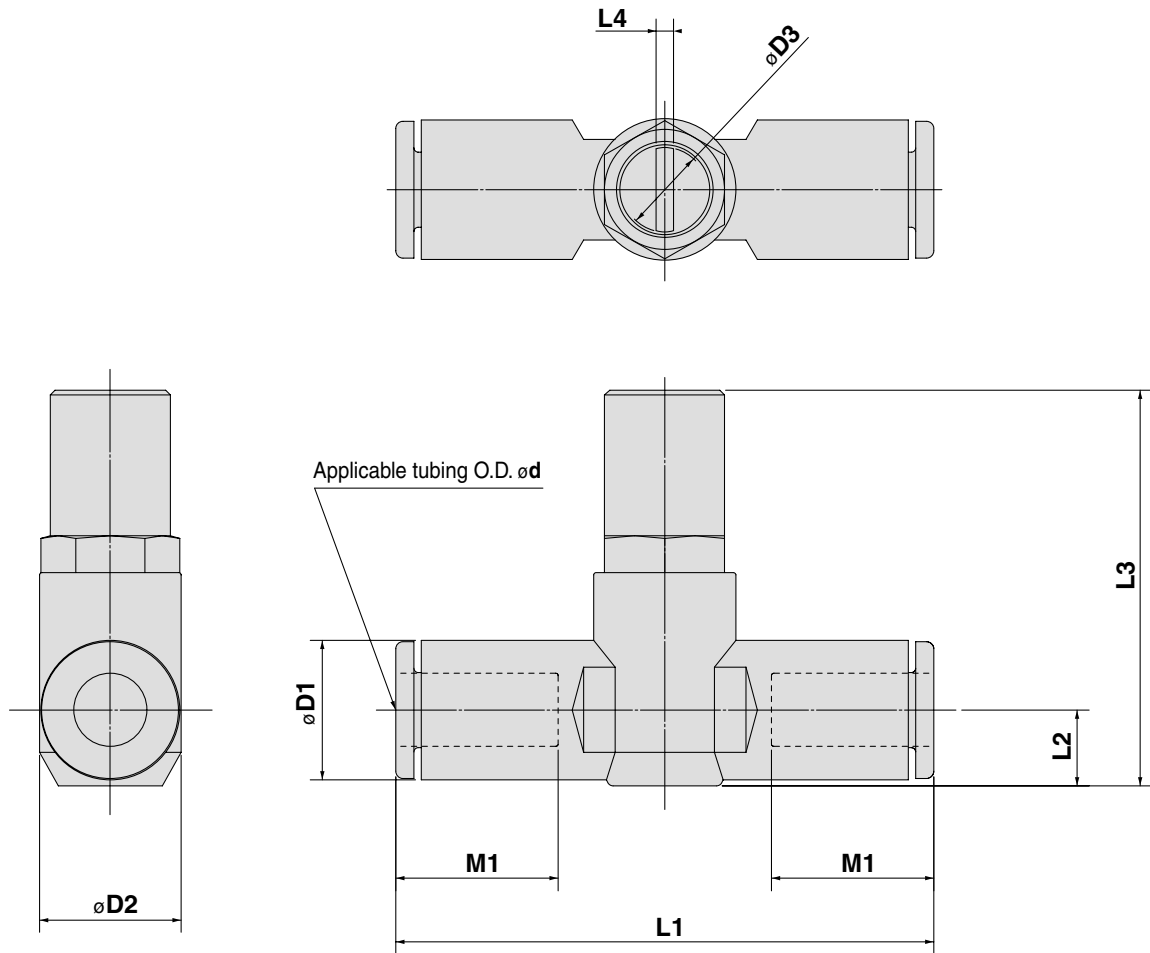
ASR
ASQ

KE

TMH

Series AS□□□1F-D

Dimensions



Metric Size

Model	d	D1	D2	D3	L1	L2	L3	L4	M1	Mass (g)
AS1001F-23D	3.2	8.4	10	4.7	38	4.5	26	0.7	12.7	8
AS1001F-04D	4	9.3			39.2	5.2	26.6			9
AS1001F-06D	6	11.6	11.8	7.2	40.7	6.2	27.7	1.2	13.5	10
AS2001F-04D	4	9.3			40.7	5.2	31.9			15
AS2001F-06D	6	11.6	14.8	7.2	44.8	6.3	33	1.2	13.5	16
AS2051F-06D	6	12.8			53.2	6.7	35.2			33
AS2051F-08D	8	15.2	19.8	9.8	59.8	8.1	36.5	1.2	17	36
AS3001F-06D	6	12.8			59	7.4	45			56
AS3001F-08D	8	15.2	26.5	12.4	64.4	8.2	45.8	1.2	18	60
AS3001F-10D	10	18.5			71.6	9.8	47.3			64
AS3001F-12D	12	20.9	26.5	12.4	76	11	48.5	1.2	22	68
AS4001F-10D	10	18.5			77.7	11.3	55.4			121
AS4001F-12D	12	20.9	82.1	11.3	56.4	125				

Inch Size

Model	d	D1	D2	D3	L1	L2	L3	L4	M1	Mass (g)
AS1001F-01D	1/8"	8.4	10	4.7	38	4.5	26	0.7	12.7	8
AS1001F-03D	5/32"	9.3			39.2	5.2	26.6			9
AS1001F-05D	3/16"	11.4	11.8	7.2	48.7	6.2	27.7	1.2	13.5	14
AS1001F-07D	1/4"	12			40.7	5.2	31.9			15
AS2001F-03D	5/32"	9.3	14.8	7.2	50	6.2	32.8	1.2	16.5	21
AS2001F-05D	3/16"	11.4			52.2	7.1	33.7			19
AS2001F-07D	1/4"	13.2	19.8	9.8	52.2	6.2	34.9	1.2	17	33
AS2051F-05D	3/16"	11.4			54.4	7.1	35.7			36
AS2051F-07D	1/4"	13.2	26.5	12.4	59.8	8.1	36.7	1.2	18	36
AS2051F-09D	5/16"	15.2			59	7.4	45.2			56
AS3001F-07D	1/4"	13.2	26.5	12.4	64.4	8.2	46	1.2	18	60
AS3001F-09D	5/16"	15.2			64.4	8.2	46			60
AS3001F-11D	3/8"	17.9	26.5	12.4	70.8	9.5	47.2	1.2	21	72
AS4001F-11D	3/8"	17.9			76.9	10.3	55.5			129
AS4001F-13D	1/2"	21.7	83.1	11.6	56.9	142				

Series **AS□□□1F-D**

Made to Order Specifications

Please contact SMC for detailed dimensions, specifications and delivery.



Lubricant: Vaseline

X12

Ex.) AS1001F-23D-X12

Grease-free (Seal: Fluorine coated) +
Throttle Valve (Without Check Valve)

X21

Ex.) AS1001F-23D-X21

Note 1) Not particle-free

Throttle Valve (Without Check Valve)

X214

Ex.) AS1001F-23D-X214

AS

ASP

ASN

AQ

ASV

AK

VCHC

ASS

**ASR
ASQ**

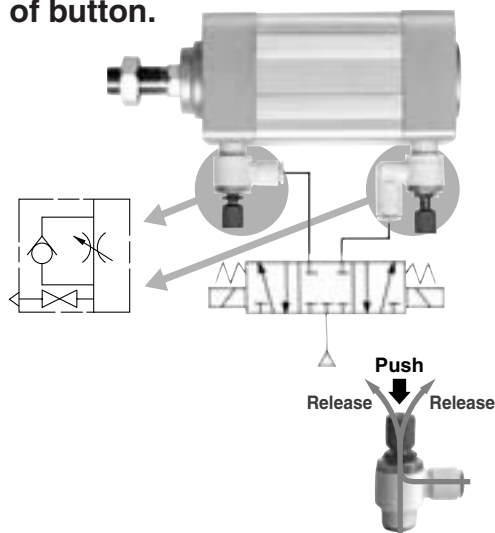
KE

TMH

Speed Controller with Residual Pressure Release Valve with One-touch Fitting

Series AS□□□□FE

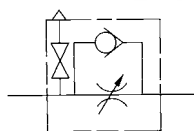
Residual pressure can be easily released with one push of button.



Eye-catching red color release button.



JIS Symbol



Flow Direction Symbols on Body

	Meter-out type	Meter-in type
Symbol		
JIS Symbol		

Made to Order
(Refer to page 465 for details.)

464

Model

Elbow type	Universal type	Port size in the cylinder side	Applicable tubing O.D. (mm)					Applicable cylinder bore size (mm)
			ø4	ø6	ø8	ø10	ø12	
AS22□1FE-01	AS23□1FE-01	R 1/8	●	●	●	● ⁽¹⁾		20, 25, 32
AS22□1FE-02	AS23□1FE-02	R 1/4	●	●	●	●		20, 25, 32, 40
AS32□1FE-03	AS33□1FE-03	R 3/8		●	●	●	●	40, 50, 63
AS42□1FE-04	AS43□1FE-04	R 1/2				●	●	63, 80, 100

Note 1) Elbow type only

Note 2) Distinction between meter-out/meter-in types by appearance

Those are distinguished by the lock nut. The meter-out type is electroless nickel plated, while the meter-in type is black zinc chromate plated.

Specifications

Fluid	Air
Proof pressure	1.5 MPa
Max. operating pressure	1.0 MPa
Min. operating pressure	0.1 MPa
Ambient and fluid temperature	-5 to 60°C (No freezing)
Number of needle rotations	10 turns
Effective area of residual exhaust valve	0.8 mm ²
Applicable tubing material	Nylon, Soft nylon, Polyurethane

Flow Rate and Effective Area

Model		AS22□1FE-01 AS23□1FE-01		AS22□1FE-02 AS23□1FE-02			AS32□1FE AS33□1FE			AS42□1FE AS43□1FE	
Tubing O.D.	Metric size	ø4	ø6 ø8 ø10	ø4	ø6	ø8 ø10	ø6	ø8	ø10 ø12	ø10	ø12
Controlled flow (Free flow)	Flow rate (l/min (ANR))	180	230	260	390	460	660	790	920	1580	1710
	Effective area (mm ²)	2.7	3.5	4	6	7	10	12	14	24	26

Note) Flow rate values are measured at 0.5 MPa and 20°C.

How to Order

AS **2** **2** **1** **1** FE - **01** - **06** SK - **□**

- Body size**

2	1/8, 1/4 standard
3	3/8 standard
4	1/2 standard
- Type**

2	Elbow
3	Universal
- Control type**

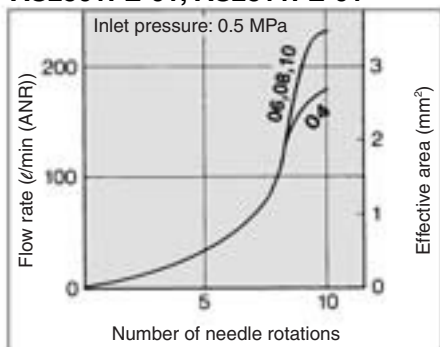
0	Meter-out
1	Meter-in
- Port size**

01	R 1/8
02	R 1/4
03	R 3/8
04	R 1/2
- Applicable tubing O.D. (mm)**

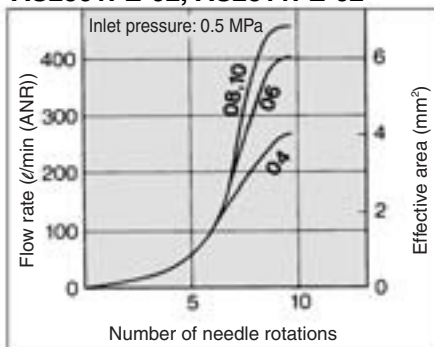
04	ø4
06	ø6
08	ø8
10	ø10
12	ø12
- Hexagonal lock nut**
- With seal**
- With residual pressure release valve**
- With One-touch fitting**
- Made to Order**
Refer to page 465 for details.

Needle Valve/Flow Characteristics

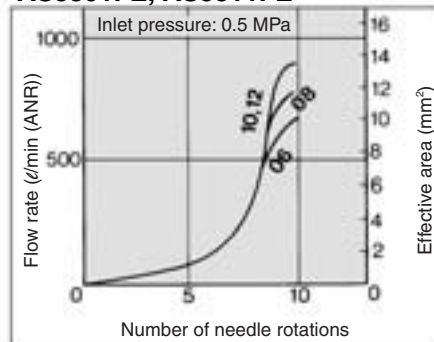
AS2201FE-01, AS2211FE-01
AS2301FE-01, AS2311FE-01



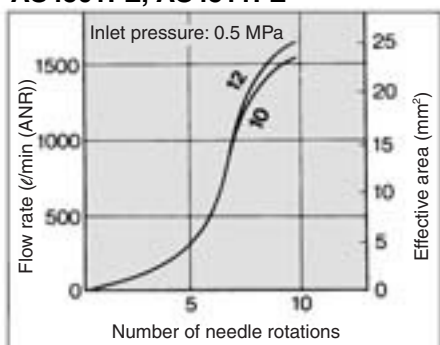
AS2201FE-02, AS2211FE-02
AS2301FE-02, AS2311FE-02



AS3201FE, AS3211FE
AS3301FE, AS3311FE



AS4201FE, AS4211FE
AS4301FE, AS4311FE



⚠ Caution

Be sure to read before handling.
Refer to front matters 58 and 59 for Safety Instructions and pages 412 to 414 for Flow Control Equipment Precautions.

Made to Order



Lubricant: Vaseline

X12

Ex.) AS2201FE-01-04SK-X12

Grease-free (Seal: Fluorine Coating) + Throttle Valve (Without Check Valve)

X21

Ex.) AS2201FE-01-04SK-X21

Note 1) Not particle-free

Note 2) Throttle valve is only compatible with the part no. of the meter-out type.

Throttle Valve (Without Check Valve)

X214

Ex.) AS2201FE-01-04SK-X214

Note) Throttle valve is only compatible with the part no. of the meter-out type.

AS

ASP

ASN

AQ

ASV

AK

VCHC

ASS

ASR
ASQ

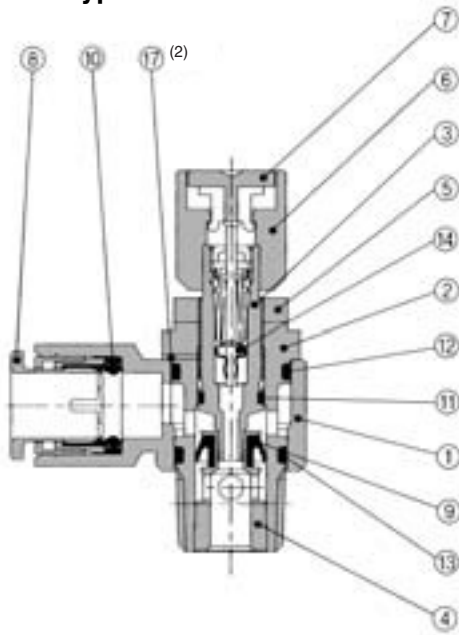
KE

TMH

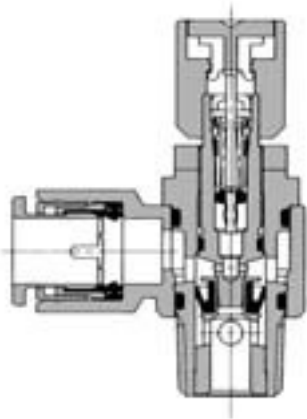
Series AS□□□□FE

Construction

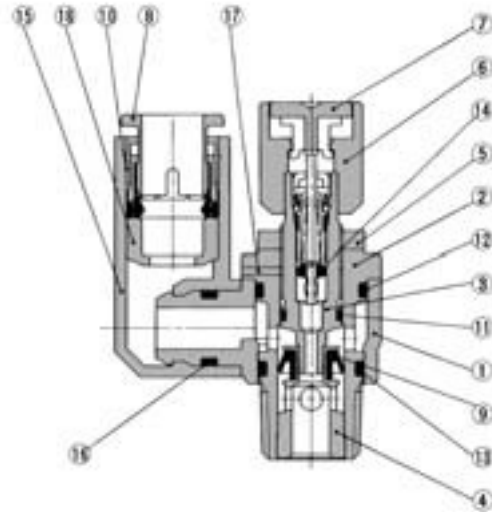
Elbow type Meter-out type



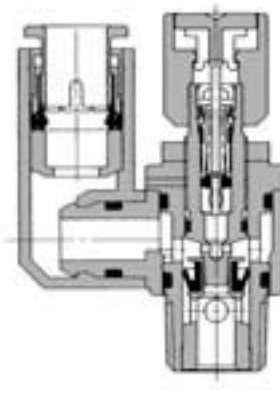
Meter-in type



Universal type Meter-out type



Meter-in type



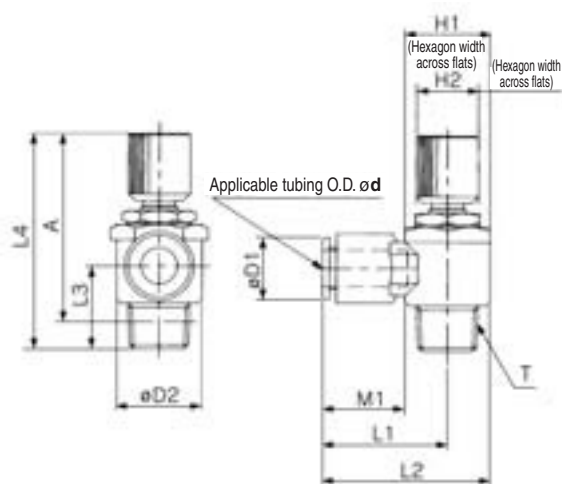
Component Parts

No.	Description	Material	Note
1	Body A	PBT	White
2	Body B	Brass	Electroless nickel plated
3	Needle	Brass	Electroless nickel plated
4	Seat ring	Brass	(1)
5	Lock nut	Brass	Electroless nickel plated (2)
6	Handle	Aluminum alloy	Red painted
7	Push button	POM	Red
8	Cassette	—	
9	U seal	HNBR	
10	Seal	NBR	
11	O-ring	NBR	
12	O-ring	NBR	
13	O-ring	NBR	
14	Valve core	—	
15	Elbow body	PBT	
16	O-ring	NBR	
17	Accidental release prevention screw	Stainless steel	AS2□□1FE-01 (3)
18	Spacer	—	

Note 1) AS2□□1FE type is electroless nickel plated. Note 3) Only for AS2□□1FE-01.
 Note 2) Meter-in type is black zinc chromate plated.

Dimensions

Elbow type



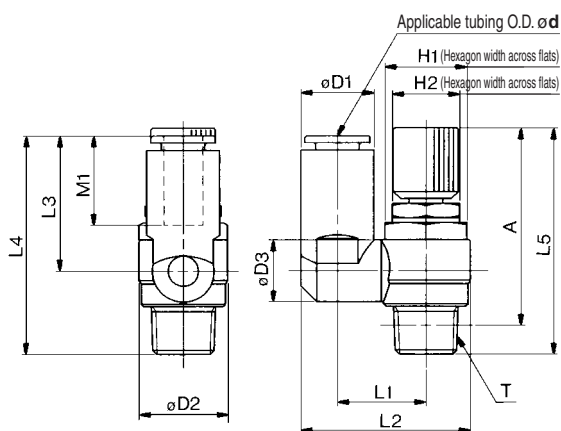
Model	Applicable tubing O.D. ød	T	H1	H2	D1	D2	L1	L2	L3	L4 (1)		A (2)		M1	Mass (g)		
										Max.	Min.	Max.	Min.				
AS22□1FE-01-04SK	4	R 1/8	12	12	9.3	14.2	20.4	27.5	13.4	53	48	49.9	44.9	12.7	26		
AS22□1FE-01-06SK	6				11.6									20.4	27.5	13.5	27
AS22□1FE-01-08SK	8				15.2									25.3	32.4	18.5	29
AS22□1FE-01-10SK	10				18.5		33.1	40.2	14.1					21	31		
AS22□1FE-02-04SK	4	R 1/4	17	14	10.4	18.5	25.2	34.4	17.7	51.7	46.7	46.2	41.2	16	36		
AS22□1FE-02-06SK	6				12.8									25.2	34.4	17	37
AS22□1FE-02-08SK	8				15.2									27.2	36.4	18.5	39
AS22□1FE-02-10SK	10				18.5									35.3	44.5	19.5	42
AS32□1FE-03-06SK	6	R 3/8	19	14	12.8	23	27.8	39.3	19.8	56.7	51.7	51.5	46.5	16	57		
AS32□1FE-03-08SK	8				15.2									29.5	41	18.5	60
AS32□1FE-03-10SK	10				18.5									31.8	43.3	21	62
AS32□1FE-03-12SK	12				20.9		32.8	44.3						22	64		
AS42□1FE-04-10SK	10	R 1/2	24	17	18.5	28.6	33.6	47.9	24.5	63.8	58.8	56.5	51.5	21	103		
AS42□1FE-04-12SK	12				20.9									34.6	48.9	22	105

Note 1) Reference dimensions

Note 2) Reference dimensions of R thread after installation.

Dimensions

Universal type



Model	Applicable tubing O.D. ød	T	H1	H2	D1	D2	D3	L1	L2	L3	L4	L5 (1)		A (2)		M1	Mass (g)					
												Max.	Min.	Max.	Min.							
AS23□1FE-01-04SK	4	R 1/8	12	12	9.3	14.2	9.3	13.1	24.9	17.5	30.9	53	48	49.9	44.9	12.7	26					
AS23□1FE-01-06SK	6				11.6											10.9	14	26.9	22.9	36.3	13.5	27
AS23□1FE-01-08SK	8				15.2											12.9	16.2	30.9	28.2	40.8	18.5	29
AS23□1FE-02-04SK	4	R 1/4	14	14	10.4	18.5	10.9	16.2	30.6	21.9	39.6	51.7	46.7	46.2	41.2	16	36					
AS23□1FE-02-06SK	6				12.8											18.4	34	25.2	42.1	17	37	
AS23□1FE-02-08SK	8				15.2											18.3	35.2	28.2	45.1	18.5	39	
AS23□1FE-02-10SK	10				18.5											20.2	38.7	31	47.9	21	42	
AS33□1FE-03-06SK	6	R 3/8	19	14	12.8	23	12.9	20.6	38.5	25.2	45	56.7	51.7	51.5	46.5	17	57					
AS33□1FE-03-08SK	8				15.2											39.7	28.2	48	18.5	60		
AS33□1FE-03-10SK	10				18.5											43.7	32.6	52.4	21	62		
AS33□1FE-03-12SK	12				20.9		16.2	23	44.9	34.4	54.2			22	64							
AS43□1FE-04-10SK	10	R 1/2	24	17	18.5	28.6	16.2	25.8	49.4	32.6	57.1	63.8	58.8	56.5	51.5	21	103					
AS43□1FE-04-12SK	12				21.7											19.4	26.8	52	36.3	60.8	22	105

Note 1) Reference dimensions

Note 2) Reference dimensions of R thread after installation.

AS

ASP

ASN

AQ

ASV

AK

VCHC

ASS

ASR

ASQ

KE

TMH

Speed Controller with One-touch Fitting Stainless Steel Series Elbow Type/Universal Type Series AS-FG

Stainless specifications for use in corrosive environments. Stainless steel 303 used for metal parts.

Suitable for use on CRT lines where copper ions can cause damage, for washing food processing equipment where there is exposure to water and salt water, etc., and in clean rooms where dust from discoloration and rusting of copper materials is unacceptable.

Light colors to match equipment

White resin parts are used for bodies and release buttons.

Threads with and without seal are available as standard.

Applicable tubing: Inch sizes standardized

Inch sizes are now available for all models.

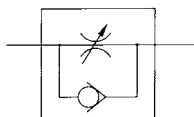


Elbow type



Universal type

JIS Symbol



Flow Direction Symbols on Body

	Meter-out type	Meter-in type
Symbol		
JIS Symbol		

Model

Elbow type	Universal type	Port size	Applicable tubing O.D.														Applicable cylinder bore size (mm)	
			Metric size							Inch size								
			3.2	4	6	8	10	12	1/8"	5/32"	3/16"	1/4"	5/16"	3/8"	1/2"			
AS12□1FG-M5	AS13□1FG-M5	M5 x 0.8	●	●	●													6, 10, 16, 20
AS22□1FG-01	AS23□1FG-01	R 1/8	●	●	●	●	●	*										20, 25, 32
AS22□1FG-02	AS23□1FG-02	R 1/4		●	●	●	●											20, 25, 32, 40
AS32□1FG-02	AS33□1FG-02	R 1/4			●	●	●	●										40, 50, 63
AS32□1FG-03	AS33□1FG-03	R 3/8			●	●	●	●										40, 50, 63
AS42□1FG-04	AS43□1FG-04	R 1/2					●	●										63, 80, 100
AS12□1FG-U10/32	AS13□1FG-U10/32	10-32 UNF							●	●	●	●						6, 10, 16, 20
AS22□1FG-N01	AS23□1FG-N01	NPT 1/8							●	●	●	●	●					20, 25, 32
AS22□1FG-N02	AS23□1FG-N02	NPT 1/4								●	●	●	●	●				20, 25, 32, 40
AS32□1FG-N02	AS33□1FG-N02	NPT 1/4									●	●	●	●				40, 50, 63
AS32□1FG-N03	AS33□1FG-N03	NPT 3/8										●	●	●				40, 50, 63
AS42□1FG-N04	AS43□1FG-N04	NPT 1/2													●	●		63, 80, 100

Note 1) Meter-out and meter-in types can be visually differentiated by the flow direction symbol on the resin body.

Note 2) * Elbow type only

Specifications

Fluid	Air
Proof pressure	1.5 MPa
Max. operating pressure	1 MPa
Min. operating pressure	0.1 MPa
Ambient and fluid temperature	-5 to 60°C (No freezing)
Number of needle rotations	10 turns (8 turns ⁽¹⁾)
Applicable tubing material ⁽²⁾	Nylon, Soft nylon, Polyurethane

Note 1) In the case of AS12□1FG and AS13□1FG

Note 2) Use caution regarding the max. operating pressure when soft nylon or polyurethane tubing is used.

(Refer to pages 371 and 372 for details.)

Flow Rate and Effective Area

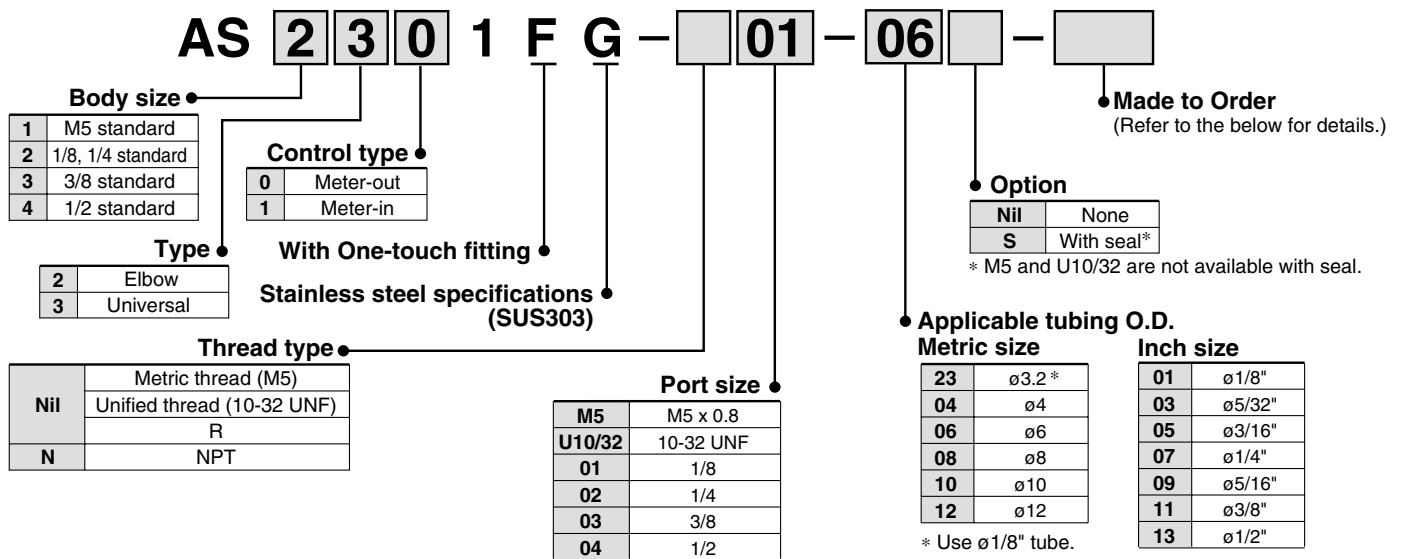
Model	AS12□1FG	AS22□1FG-□01	AS22□1FG-□02	AS32□1FG			AS42□1FG					
	AS13□1FG	AS23□1FG-□01	AS23□1FG-□02	AS33□1FG	AS33□1FG	AS33□1FG	AS43□1FG	AS43□1FG				
Tubing O.D.	Metric size	ø3.2	ø3.2	ø6	ø4	ø6	ø8	ø6	ø8	ø10	ø10	ø12
	Inch size	ø4	ø4	ø8			ø10					
		ø6		ø10								
Controlled flow (Free flow)	Flow rate (ℓ/min (ANR))	100	180	230	260	390	460	660	790	920	1580	1710
	Effective area (mm ²)	1.5	2.7	3.5	4	6	7	10	12	14	12	26

Note) Flow rate values are measured at 0.5 MPa and 20°C.



Made to Order
(Refer to page 473 for details.)

How to Order



Made to Order



1 Lubricant: Vaseline **X12**

Ex.) AS1201FG-M5-23-X12

3 Throttle Valve (Without Check Valve) **X214**

Ex.) AS1201FG-M5-23-X214

Note) Throttle valve is only compatible with the part no. of the meter-out type.

2 Grease-free (Seal: Fluorine Coating) + Throttle Valve (Without Check Valve) **X21**

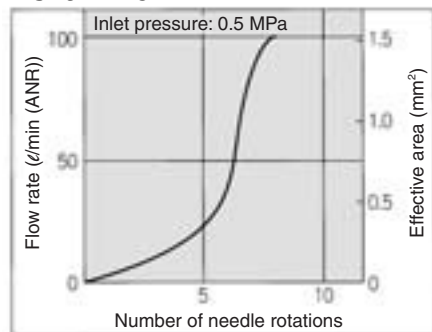
Ex.) AS1201FG-M5-23-X21

Note 1) Not particle-free

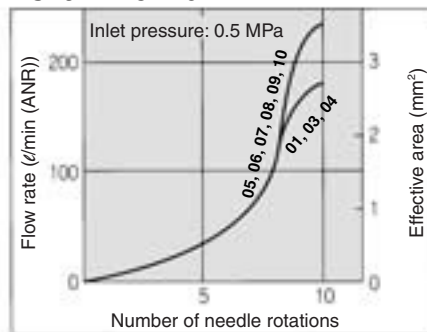
Note 2) Throttle valve is only compatible with the part no. of the meter-out type.

Needle Valve/Flow Characteristics

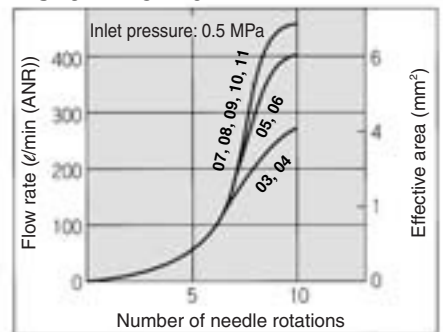
AS12□1FG
AS13□1FG



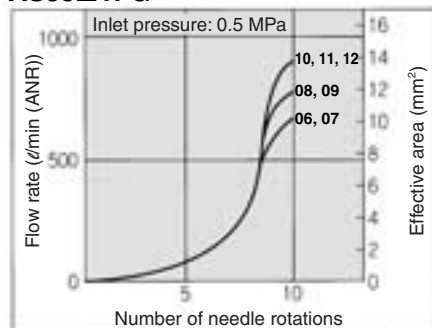
AS22□1FG-□01
AS23□1FG-□01



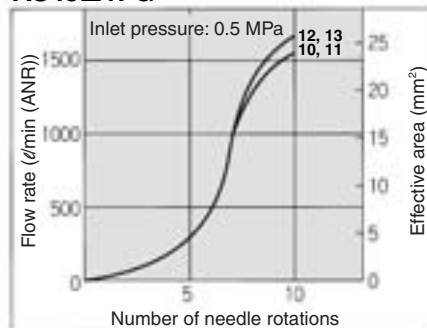
AS22□1FG-□02
AS23□1FG-□02



AS32□1FG
AS33□1FG



AS42□1FG
AS43□1FG



- AS
- ASP
- ASN
- AQ
- ASV
- AK
- VCHC
- ASS
- ASR
- ASQ
- KE
- TMH

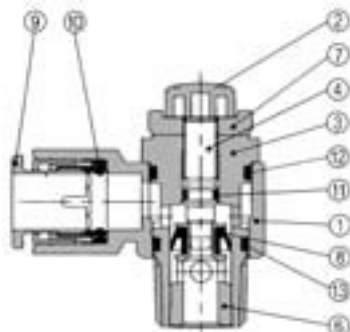
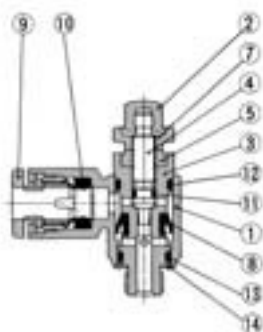
Series AS-FG

Construction: Elbow Type

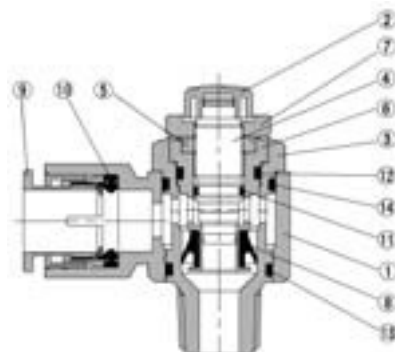
Meter-out type

M5 type

U10/32 type



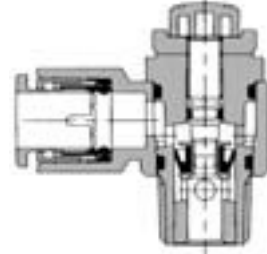
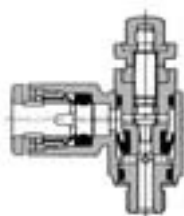
AS3201FG-02



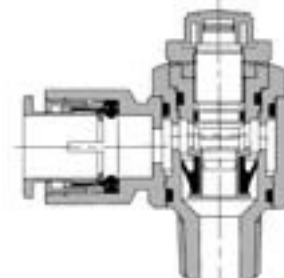
Meter-in type

M5 type

U10/32 type



AS3211FG-02



Component Parts

No.	Description	Material	Note
1	Body A	PBT	
2	Handle	PBT	
3	Body B	Stainless steel 303	
4	Needle	Stainless steel 303	
5	Needle guide	Stainless steel 303	
6	Seat ring	Stainless steel 303	
7	Lock nut	Stainless steel 303	
8	U seal	HNBR	
9	Cassette	—	
10	Seal	NBR	
11	O-ring	NBR	
12	O-ring	NBR	
13	O-ring	NBR	
14	O-ring	NBR	
15	Gasket	NBR, Stainless steel	M5 type only

⚠ Caution

Be sure to read before handling.
 Refer to front matters 58 and 59 for Safety Instructions and pages 412 to 414 for Flow Control Equipment Precautions.

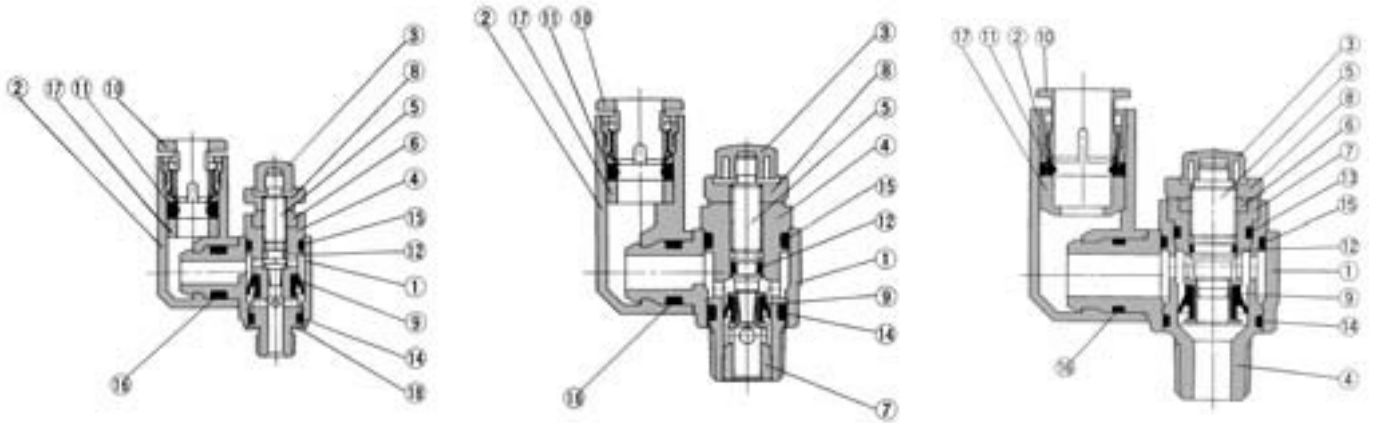
Construction: Universal Type

Meter-out type

M5 type

U10/32 type

AS3301FG-02

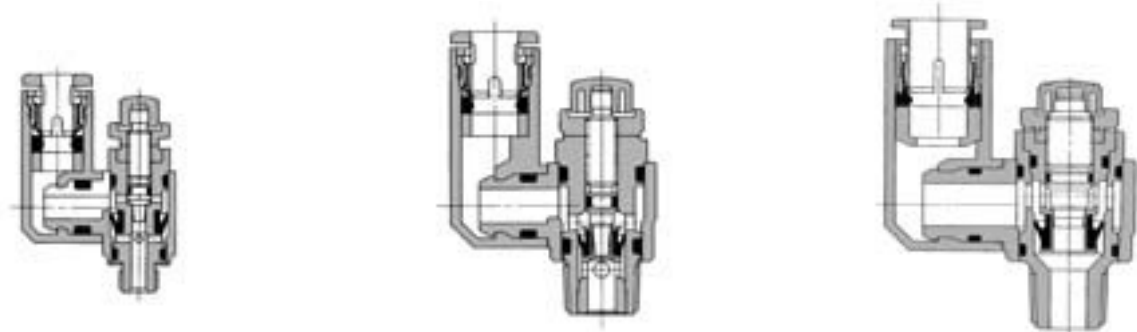


Meter-in type

M5 type

U10/32 type

AS3311FG-02



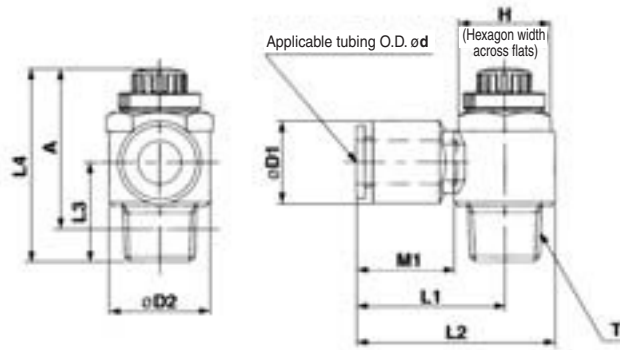
Component Parts

No.	Description	Material	Note
1	Body A	PBT	
2	Elbow body	PBT	
3	Handle	PBT	
4	Body B	Stainless steel 303	
5	Needle	Stainless steel 303	
6	Needle guide	Stainless steel 303	
7	Seat ring	Stainless steel 303	
8	Lock nut	Stainless steel 303	
9	U seal	HNBR	
10	Cassette	—	
11	Seal	NBR	
12	O-ring	NBR	
13	O-ring	NBR	
14	O-ring	NBR	
15	O-ring	NBR	
16	O-ring	NBR	
17	Spacer	—	
18	Gasket	NBR, Stainless steel	M5 type only

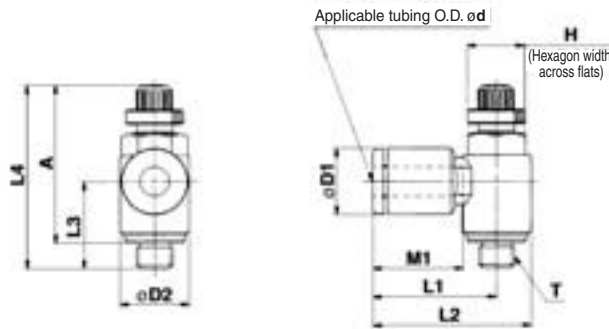
- AS
- ASP
- ASN
- AQ
- ASV
- AK
- VCHC
- ASS
- ASR
- ASQ
- KE
- TMH

Series AS-FG

Dimensions: Elbow Type



M5 type U10/32 type



Metric Size

Model	d	T	H	D1	D2	L1	L2	L3	L4 ⁽¹⁾		A*		M1	Mass (g)	
									Max.	Min.	Max.	Min.			
AS12□1FG-M5-23	3.2	M5 x 0.8	8	8.4	9.6	17.3	22.1	12.3	28.6	25.8	25	22.2	12.7	7	
AS12□1FG-M5-04	4	M5 x 0.8	8	9.3	9.6	17.3	22.1	12.3	28.6	25.8	25	22.2	12.7	7	
AS12□1FG-M5-06	6			11.6		18.1	22.9	11.7					13.5		
AS22□1FG-01-23	3.2	R 1/8	12	9.3	14.2	20.4	27.5	14.3	36.1	31.1	32.1	27.1	12.7	16	
AS22□1FG-01-04	4	R 1/8	12	9.3	14.2	20.4	27.5	13.4	35.2	30.2	32.1	27.1	12.7	17	
AS22□1FG-01-06	6			11.6		20.4	27.5						13.5		
AS22□1FG-01-08	8			15.2		25.3	32.4						18.5		19
AS22□1FG-01-10	10			18.5		32.1	39.2						21		21
AS22□1FG-02-04	4	R 1/4	17	10.4	18.5	25.2	34.4	17.7	39.9	34.9	34.4	29.4	16	32	
AS22□1FG-02-06	6			12.8		25.2	34.4						17		
AS22□1FG-02-08	8			15.2		27.2	36.4						18.5		34
AS22□1FG-02-10	10			18.5		35.3	44.5						21		36
AS32□1FG-02-06	6	R 1/4	19	12.8	23	27.8	39.3	21.3	48.3	43.3	42.8	37.8	17	60	
AS32□1FG-02-08	8			15.2		29.5	41						18.5		63
AS32□1FG-02-10	10			18.5		31.8	43.3						21		67
AS32□1FG-02-12	12			20.9		32.8	44.3						22		69
AS32□1FG-03-06	6	R 3/8	19	12.8	23	27.8	39.3	19.8	45.4	40.4	40.2	35.2	17	55	
AS32□1FG-03-08	8			15.2		29.5	41						18.5		57
AS32□1FG-03-10	10			18.5		31.8	43.3						21		59
AS32□1FG-03-12	12			20.9		32.8	44.3						22		61
AS42□1FG-04-10	10	R 1/2	24	18.5	28.6	33.6	47.9	24.5	56.7	49.2	49.6	42.1	21	100	
AS42□1FG-04-12	12			20.9		34.6	48.9						22		101

Note 1) Reference dimensions

Note 2) Reference dimensions of M5 x 0.8, R threads after installation.

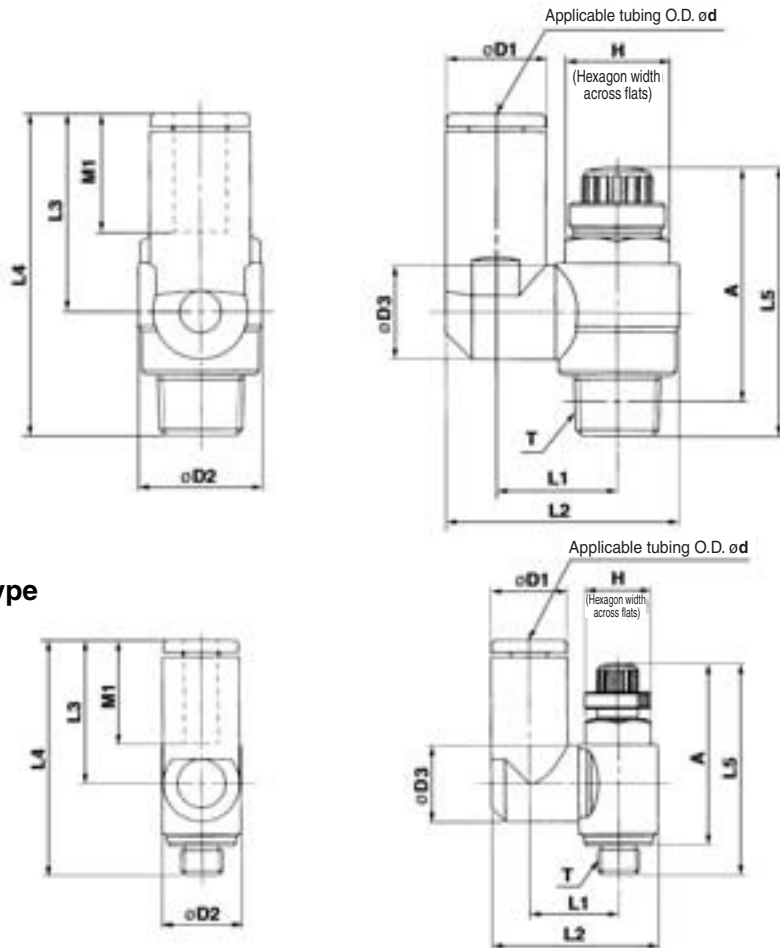
Inch Size

Model	d	T	H	D1	D2	L1	L2	L3	L4 ⁽¹⁾		A*		M1	Mass (g)	
									Max.	Min.	Max.	Min.			
AS12□1FG-U10/32-01	1/8"	10-32 UNF	8	8.4	9.6	17.3	22.1	12.3	28.6	25.8	25	22.2	12.7	7	
AS12□1FG-U10/32-03	5/32"			9.3		21.3	26.1	11.7					16.5		
AS12□1FG-U10/32-05	3/16"			11.4		18.3	23.1								13.5
AS12□1FG-U10/32-07	1/4"			12		18.3	23.1	13.5							
AS22□1FG-N01-01	1/8"	NPT 1/8	12.7	9.3	14.2	20.4	27.5	13.4	35.2	30.2	32.1	27.1	12.7	16	
AS22□1FG-N01-03	5/32"			11.4		23.1	30.2						13.5		17
AS22□1FG-N01-05	3/16"			13.2		23.9	31						18.5		19
AS22□1FG-N01-07	1/4"			15.2		25.3	32.4						21		21
AS22□1FG-N01-09	5/16"	NPT 1/4	17.5	10.4	18.5	25.2	34.4	17.7	39.9	34.9	34.4	29.4	16	32	
AS22□1FG-N02-03	5/32"			11.4		24.9	34.2						17		
AS22□1FG-N02-05	3/16"			13.2		27.2	36.4						18.5		34
AS22□1FG-N02-07	1/4"			15.2		27.2	36.4						19.5		36
AS22□1FG-N02-09	5/16"	NPT 1/4	19	15.2	23	29.5	41	21.3	48.3	43.3	42.8	37.8	21	36	
AS22□1FG-N02-11	3/8"			17.9		35.3	44.5						21		67
AS32□1FG-N02-07	1/4"			13.2		27.8	39.3						17		60
AS32□1FG-N02-09	5/16"			15.2		29.5	41						18.5		63
AS32□1FG-N02-11	3/8"	NPT 3/8	19	17.9	28.6	31.8	43.3	19.8	45.4	40.4	40.2	35.2	21	100	
AS32□1FG-N03-07	1/4"			13.2		27.8	39.3						17		55
AS32□1FG-N03-09	5/16"			15.2		29.5	41						18.5		57
AS32□1FG-N03-11	3/8"			17.9		31.8	43.3						21		59
AS42□1FG-N04-11	3/8"	NPT 1/2	23.8	17.9	28.6	33.6	47.9	24.5	56.7	49.2	49.6	42.1	21	100	
AS42□1FG-N04-13	1/2"			21.7		35.2	49.5						22		101

Note 1) Reference dimensions

Note 2) Reference dimensions of 10-32 UNF and NPT threads after installation.

Dimensions: Universal Type



M5 type
U10/32 type

Metric Size

Model	d	T	H	D1	D2	D3	L1	L2	L3	L4	L5 ⁽¹⁾		A*		M1	Mass (g)	
											Max.	Min.	Max.	Min.			
AS13□1FG-M5-23	3.2			8.4			19.8	17.5	28.7		28.6	28.6			12.7	7	
AS13□1FG-M5-04	4	M5 x 0.8	8	9.3	9.6	9.3	10.8	20.3						25	22.2		
AS13□1FG-M5-06	6			11.6				21.4	20.6	31.8					13.5		
AS23□1FG-01-23	3.2			8.4			9.3	13.1	24.4	17.5	30.9				12.7	17	
AS23□1FG-01-04	4		R 1/8	9.3	14.2		10.9	14	26.9	22.9	36.3	35.2	30.2	32.1	27.1	18	
AS23□1FG-01-06	6			11.6											13.5		
AS23□1FG-01-08	8			15.2			12.9	16.2	30.9	28.2	40.8				18.5	21	
AS23□1FG-02-04	4			10.4			10.9	16.2	30.6	21.9	39.6				16	32	
AS23□1FG-02-06	6		R 1/4	12.8	18.5		18.4	34	25.2	42.1		39.9	34.9	34.4	29.4	17	33
AS23□1FG-02-08	8			15.2			12.9	18.3	35.2	28.2	45.1				18.5	36	
AS23□1FG-02-10	10			18.5			20.2	38.7	31	47.9					21	40	
AS33□1FG-02-06	6			12.8			12.9	20.6	38.5	25.2	46.5				17	60	
AS33□1FG-02-08	8		R 1/4	15.2	23				39.7	28.2	49.5	48.3	43.3	42.8	37.8	18.5	63
AS33□1FG-02-10	10			18.5			16.2	23	43.7	32.6	53.9				21	67	
AS33□1FG-02-12	12			20.9			16.2	23	44.9	34.4	55.7				22	69	
AS33□1FG-03-06	6			12.8			12.9	20.6	38.5	25.2	45				17	56	
AS33□1FG-03-08	8		R 3/8	15.2	23				39.7	28.2	48	45.4	40.4	40	35	18.5	59
AS33□1FG-03-10	10			18.5			16.2	23	43.7	32.6	52.4				21	63	
AS33□1FG-03-12	12			20.9					44.9	34.4	54.2				22	65	
AS43□1FG-04-10	10			18.5	28.6		16.2	25.8	49.4	32.6	57.1	56.7	49.2	49.6	42.1	21	104
AS43□1FG-04-12	12	R 1/2	24	20.9		19.4	26.8	52	36.3	60.8					22	105	

Note 1) Reference dimensions

Note 2) Reference dimensions of M5 x 0.8, R threads after installation.

Inch Size

Model	d	T	H	D1	D2	D3	L1	L2	L3	L4	L5 ⁽¹⁾		A*		M1	Mass (g)	
											Max.	Min.	Max.	Min.			
AS13□1FG-U10/32-01	1/8"			8.4			19.8	17.5	28.7						12.7	7	
AS13□1FG-U10/32-03	5/32"	10-32 UNF	8	9.3	9.6	9.3	10.8	20.3							13.5		
AS13□1FG-U10/32-05	3/16"			11.4				21.3	23.3	34.5					16.5	8	
AS13□1FG-U10/32-07	1/4"			12				21.6	20.7	31.9					13.7		
AS23□1FG-N01-01	1/8"			8.4			9.3	13.1	24.4	17.5	30.9				12.7	17	
AS23□1FG-N01-03	5/32"			9.3	14.2		10.9	14	24.9	22.9	36.3	35.2	30.2	32.1	27.1	18	
AS23□1FG-N01-05	3/16"	NPT 1/8	12.7	11.4	14		10.9	14	26.8	23.9					16.5		
AS23□1FG-N01-07	1/4"			13.2			12.9	16.2	29.9	25.6	36.3				18.5	19	
AS23□1FG-N01-09	5/16"			15.2					30.9	28.2	40.8				21	21	
AS23□1FG-N02-03	5/32"			10.4			10.9	16.2	30.6	21.9	39.6				16	32	
AS23□1FG-N02-05	3/16"			11.4					31.1	23.9	42.1				17	33	
AS23□1FG-N02-07	1/4"	NPT 1/4	17.5	13.2	19		12.9	18.3	34.2	25.6	45.1	39.9	34.9	34.4	29.4	18.5	36
AS23□1FG-N02-09	5/16"			15.2			12.9		35.2	28.2	47.9				21	39	
AS23□1FG-N02-11	3/8"			17.9			20.2	38.7	31	46.5					21	40	
AS33□1FG-N02-07	1/4"			13.2			12.9	20.6	38.7	25.6	46.9				17	60	
AS33□1FG-N02-09	5/16"	NPT 1/4	19	15.2	23				39.7	28.2	49.5	48.3	43.3	42.8	37.8	18.5	63
AS33□1FG-N02-11	3/8"			17.9			16.2	23	43.7	32.6	53.9				21	69	
AS33□1FG-N03-07	1/4"			13.2			12.9	20.6	38.7	25.6	45				17	56	
AS33□1FG-N03-09	5/16"	NPT 3/8	19	15.2	23				39.7	28.2	48	45.4	40.4	40.2	35.2	18.5	59
AS33□1FG-N03-11	3/8"			17.9			16.2	23	43.7	32.6	52.4				21	65	
AS43□1FG-N04-11	3/8"			17.9			16.2	25.8	49.4	32.6	54.4				21	104	
AS43□1FG-N04-13	1/2"	NPT 1/2	23.8	21.7	29		19.4	26.8	52	36.3	57.1	56.7	49.2	49.6	42.1	22	106

Note 1) Reference dimensions

Note 2) Reference dimensions of 10-32 UNF and NPT threads after installation.

- AS
- ASP
- ASN
- AQ
- ASV
- AK
- VCHC
- ASS
- ASR
- ASQ
- KE
- TMH

Speed Controller with One-touch Fittings Stainless Steel Series In-line Type

Series AS-FG



Model

Model	Applicable tubing O.D.												Applicable cylinder bore size (mm)	
	Metric size						Inch size							
	3.2	4	6	8	10	12	1/8"	5/32"	3/16"	1/4"	5/16"	3/8"		1/2"
AS1001FG	●	●	●				●	●	●	●				6, 10, 16, 20
AS2001FG		●	●					●	●	●				20, 25, 32
AS2051FG			●	●					●	●	●			20, 25, 32, 40
AS3001FG			●	●	●	●			●	●	●			40, 50, 63
AS4001FG					●	●						●	●	63, 80, 100

Specifications

Fluid	Air
Proof pressure	1.5 MPa
Max. operating pressure	1 MPa
Min. operating pressure	0.1 MPa
Ambient and fluid temperature	-5 to 60°C (No freezing)
Number of needle rotations	10 turns (8 turns ⁽¹⁾)
Applicable tubing material ⁽²⁾	Nylon, Soft nylon, Polyurethane

Note 1) In the case of AS1001FG type

Note 2) Use caution regarding the max. operating pressure when soft nylon or polyurethane tubing is used. (Refer to pages 371 and 372 for details.)

Flow Rate and Effective Area

Model		AS1001FG	AS2001FG		AS2051FG		AS3001FG			AS4001FG	
Tubing O.D.	Metric size	ø3.2 ø4 ø6	ø4	ø6	ø6	ø8	ø6	ø8	ø10 ø12	ø10	ø12
	Inch size	ø1/8" ø5/32" ø3/16"	ø5/32"	ø3/16" ø1/4"	ø3/16"	ø1/4" ø5/16"	ø1/4"	ø5/16"	ø3/8"	ø3/8"	ø1/2"
Controlled flow (Free flow)	Flow rate (l/min (ANR))	100	130	230	290	460	420	660	920	1050	1390
	Effective area (mm ²)	1.5	2	3.5	4.5	7	6.5	10	14	16	21

Note) Flow rate values are measured at 0.5 MPa and 20°C.

Flow Direction Symbols on Body



Made to Order
(Refer to page 479 for details.)

How to Order

AS 200 1 F G - 06 -

Body size

100	M5 standard
200	1/8 standard
205	1/4 standard
300	3/8 standard
400	1/2 standard

With One-touch fittings

Stainless steel specifications (Stainless steel 303)

Made to Order
(Refer to the below for details.)

Applicable tubing O.D.

Metric size		Inch size	
23	ø3.2*	01	ø1/8"
04	ø4	03	ø5/32"
06	ø6	05	ø3/16"
08	ø8	07	ø1/4"
10	ø10	09	ø5/16"
12	ø12	11	ø3/8"
		13	ø1/2"

* Use ø1/8" tube.

Made to Order



Lubricant: Vaseline

X12

Ex.) AS1001FG-04-X12

Grease-free (Seal: Fluorine Coating) + Throttle Valve (Without Check Valve)

X21

Ex.) AS1001FG-04-X21

Note) Not particle-free

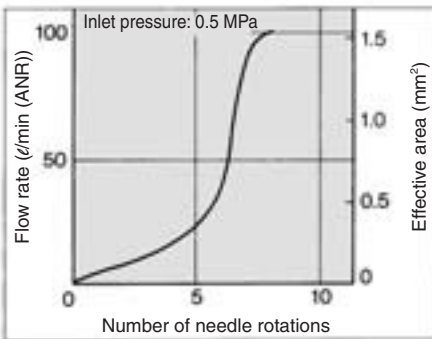
Throttle Valve (Without Check Valve)

X214

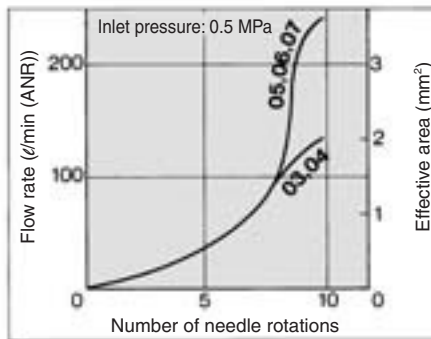
Ex.) AS1001FG-04-X214

Needle Valve/Flow Characteristics

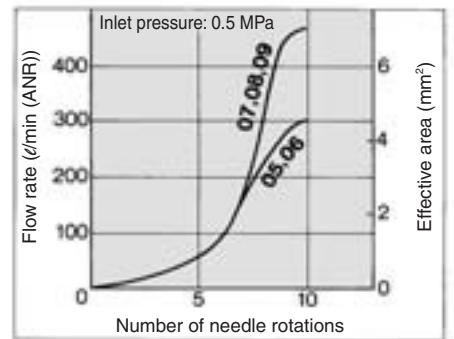
AS1001FG



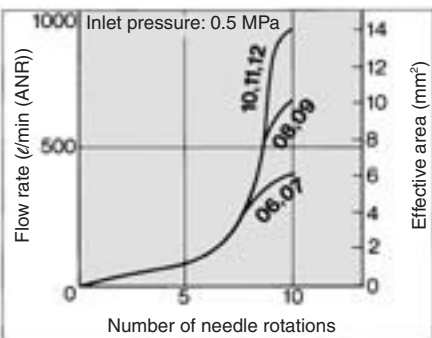
AS2001FG



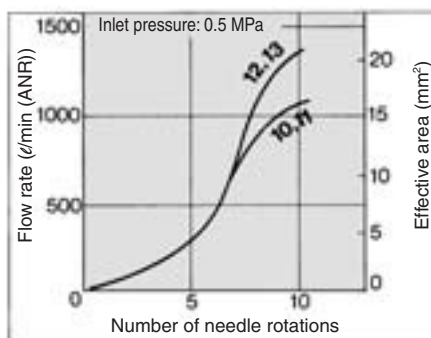
AS2051FG



AS3001FG



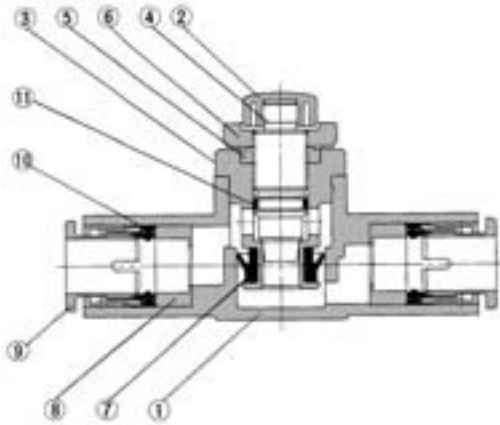
AS4001FG



- AS
- ASP
- ASN
- AQ
- ASV
- AK
- VCHC
- ASS
- ASR
- ASQ
- KE
- TMH

Series AS-FG

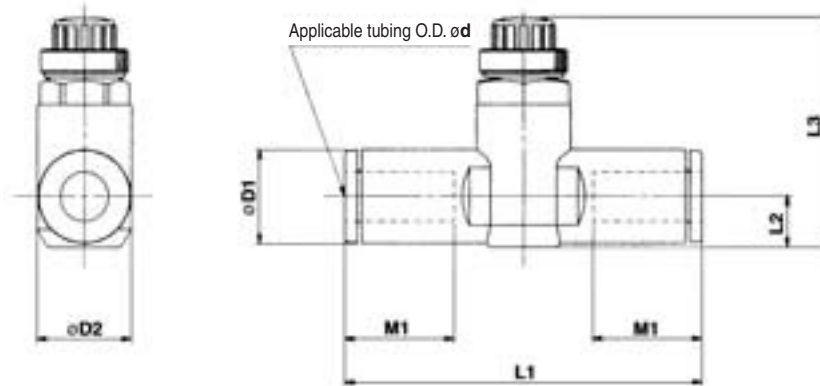
Construction



Component Parts

No.	Description	Material	Note
1	Body A	PBT	
2	Handle	PBT	
3	Body B	Stainless steel 303	
4	Needle	Stainless steel 303	
5	Needle guide	Stainless steel 303	
6	Lock nut	Stainless steel 303	
7	U seal	HNBR	
8	Spacer	—	
9	Cassette	—	
10	Seal	NBR	
11	O-ring	NBR	

Dimensions



Metric Size

Model	d	D1	D2	L1	L2	L3 ⁽¹⁾		M1	Mass (g)	
						Max.	Min.			
AS1001FG-23	3.2	8.4	10	38	4.5	23.5	20.7	12.7	6	
AS1001FG-04	4	9.3		39.2	5.2	24.2	21.4		7	
AS1001FG-06	6	11.6		40.7	6.2	25.2	22.4		13.5	8
AS2001FG-04	4	9.3	11.8	40.7	5.2	32.6	27.6	12.7	12	
AS2001FG-06	6	11.6		44.8	6.3	33.7	28.7		13.5	13
AS2051FG-06	6	12.8	14.8	53.2	6.7	35.2	30.2	17	22	
AS2051FG-08	8	15.2		59.8	8.1	32.6	27.6		18	25
AS3001FG-06	6	12.8		59	7.4	38.3	33.3		17	36
AS3001FG-08	8	15.2	19.8	64.4	8.2	39.1	34.1	18	40	
AS3001FG-10	10	18.5		71.6	9.8	40.6	35.6		21	44
AS3001FG-12	12	20.9		76	11	41.8	36.8		22	48
AS4001FG-10	10	18.5	26.5	77.7	11.3	51.1	43.6	21	85	
AS4001FG-12	12	20.9				52.1	44.6			22

Note 1) Reference dimensions

Inch Size

Model	d	D1	D2	L1	L2	L3 ⁽¹⁾		M1	Mass (g)	
						Max.	Min.			
AS1001FG-01	1/8"	8.4	10	38	4.5	23.5	20.7	12.7	6	
AS1001FG-03	5/32"	9.3		39.2	5.2	24.2	21.4		7	
AS1001FG-05	3/16"	11.4		48.7	6.2	25.2	22.4		16.5	12
AS1001FG-07	1/4"	12	11.8	40.7	5.2	32.6	27.6	12.7	12	
AS2001FG-03	5/32"	9.3		50	6.2	33.6	28.6		16.5	18
AS2001FG-05	3/16"	11.4	14.8	52.2	7.1	34.5	29.5	17	16	
AS2001FG-07	1/4"	13.2		52.2	6.2	34.6	29.6		16.5	24
AS2051FG-05	3/16"	11.4		54.4	7.1	35.5	30.5		17	22
AS2051FG-07	1/4"	13.2	19.8	59.8	8.1	32.6	27.6	18	25	
AS2051FG-09	5/16"	15.2		59	7.4	38.3	33.3		17	36
AS3001FG-09	5/16"	15.2	26.5	64.4	8.2	39.1	34.1	18	40	
AS3001FG-11	3/8"	17.9		70.8	9.5	40.3	35.3		21	52
AS4001FG-11	3/8"	17.9		76.9	10.3	51	43.5		21	93
AS4001FG-13	1/2"	21.7	83.1	11.6	52.4	44.9	22	106		

Note 1) Reference dimensions

Speed Controller for Low Speed Operation with One-touch Fitting Elbow Type/Universal Type (Resin Body) Series AS-FM

Ideal for low speed control at 10 to 50 mm/sec

Since the effective area of the controlled flow is approximately 1/10 that of the standard model, it is ideal for speed control of low speed cylinders at 10 to 50 mm/sec.

The dual type is particularly suitable for low speed control of small bore cylinders.

Low speed operating stroke and high speed return stroke drive

Effective area of free flow is the same as that of standard model.

10 needle turns (20 turns for M5 type)

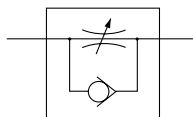
Speed control is easy, and uniform speed control is possible.

Applicable tubing: Inch sizes standardized

Inch sizes are now available for all models.



JIS Symbol



Flow Direction Symbols on Body

	Meter-out type	Meter-in type
Symbol		
JIS Symbol		

Model

Elbow type	Universal type	Port size	Applicable tubing O.D.												
			Metric size					Inch size							
			3.2	4	6	8	10	1/8"	5/32"	3/16"	1/4"	5/16"	3/8"		
AS12□1FM-M5	AS13□1FM-M5	M5 x 0.8	●	●	●										
AS22□1FM-01	AS23□1FM-01	R 1/8	●	●	●	●									
AS22□1FM-02	AS23□1FM-02	R 1/4		●	●	●	●								
AS12□1FM-U10/32	AS13□1FM-U10/32	10-32 UNF								●	●	●	●		
AS22□1FM-N01	AS23□1FM-N01	NPT 1/8								●	●	●	●	●	
AS22□1FM-N02	AS23□1FM-N02	NPT 1/4									●	●	●	●	●

Specifications

Fluid	Air
Proof pressure	1.5 MPa
Max. operating pressure	1.0 MPa
Mini. operating pressure	0.1 MPa
Ambient and fluid temperature	-5 to 60°C (No freezing)
Number of needle rotations	10 turns (20 turns ⁽¹⁾)
Applicable tubing material ⁽²⁾	Nylon, Soft nylon, Polyurethane
Option ⁽³⁾	With seal

Note 1) In the case of AS12□1FM and AS13□1FM types

Note 2) Use caution regarding the max. operating pressure when soft nylon or polyurethane, or soft polyurethane tubing is used.

(Refer to pages 371 and 372 for details.)

Note 3) M5 and 10-32UNF type ports are not available with seal.

Note 4) Brass parts are all electroless nickel plated. The handle of the M5 type and the lock nut of the meter-in type are black zinc chromate plated.

Flow Rate and Effective Area

Model		AS12□1FM AS13□1FM	AS22□1FM-□01 AS23□1FM-□01	AS22□1FM-□02 AS23□1FM-□02
Tubing O.D.	Metric size	ø3.2, ø4, ø6	ø3.2, ø4 ø6, ø8	ø4, ø6 ø8, ø10
	Inch size	ø1/8", ø5/32", ø3/16" ø1/4"	ø1/8", ø5/32" ø3/16", ø1/4" ø5/16"	ø5/32", ø3/16" ø1/4", ø5/16" ø3/8"
Controlled flow	Air flow (l/min(ANR))	7	12	38
	Effective area (mm ²)	0.1	0.2	0.6
Free flow	Flow rate (l/min(ANR))	100	180 230	260 390 460
	Effective area (mm ²)	1.5	2.7 3.5	4 6 7

Note) Flow rate values are measured at 0.5 MPa and 20°C.

⚠ Caution

Be sure to read before handling.
Refer to front matters 58 and 59 for
Safety Instructions and pages 412 to 414
for Flow Control Equipment Precautions.



Made to Order
(Refer to page 495 for details.)

Speed Controller for Low Speed Operation with One-touch Fitting Elbow Type/Universal Type (Resin Body) **Series AS-FM**

How to Order

AS 2 2 0 1 FM - [] 01 - 06 [] - []

● **Made to Order**
Refer to the below for details.

● **Body size**

1	M5 standard
2	1/8, 1/4 standard

● **Type**

2	Elbow
3	Universal

● **Control type**

0	Meter-out
1	Meter-in

● **With One-touch fitting**

● **For low speed control**

● **Thread type**

Nil	Metric thread (M5)
	Unified thread (10-32 UNF)
N	R
	NPT

● **Option**

Nil	None
S	With seal

* M5 and U10/32 are not available with seal.

● **Applicable tubing O.D.**

Metric size		Inch size	
23	ø3.2 *	01	ø1/8"
04	ø4	03	ø5/32"
06	ø6	05	ø3/16"
08	ø8	07	ø1/4"
10	ø10	09	ø5/16"
		11	ø3/8"

* Use ø1/8" tube.

● **Port size**

M5	M5 x 0.8
U10/32	10-32 UNF
01	1/8
02	1/4

Made to Order



Lubricant: Vaseline

X12

Ex.) AS1201FM-M5-23-X12

Grease-free (Seal: Fluorine coated) +
Throttle Valve (Without Check Valve)

X21

Ex.) AS1201FM-M5-23-X21

Note 1) Not particle-free

Note 2) Throttle valve is only compatible with the part no. of the meter-out type.

Throttle Valve (Without Check Valve)

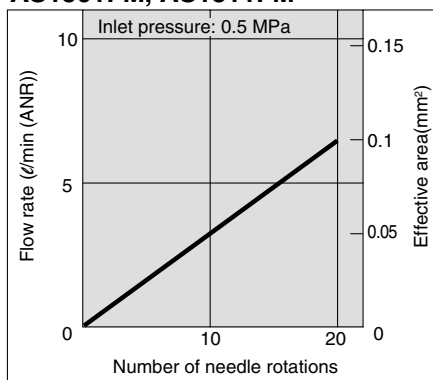
X214

Ex.) AS1201FM-M5-23-X214

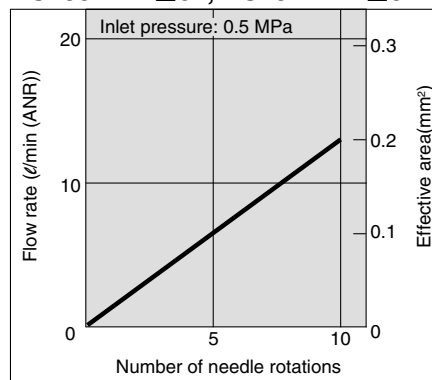
Note) Throttle valve is only compatible with the part no. of the meter-out type.

Needle Valve/Flow Characteristics

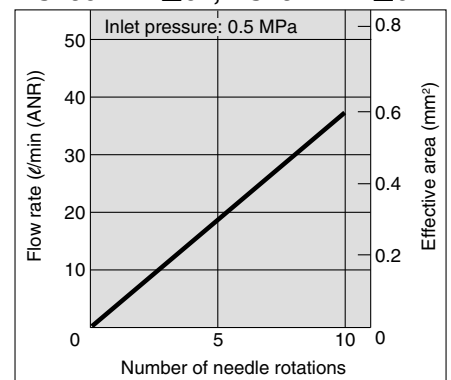
AS1201FM, AS1211FM
AS1301FM, AS1311FM



AS2201FM-□01, AS2211FM-□01
AS2301FM-□01, AS2311FM-□01



AS2201FM-□02, AS2211FM-□02
AS2301FM-□02, AS2311FM-□02



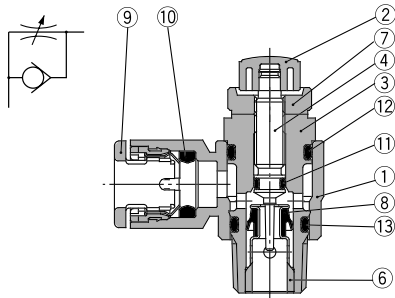
- AS
- ASP
- ASN
- AQ
- ASV
- AK
- VCHC
- ASS
- ASR
- ASQ
- KE
- TMH

Series AS-FM

Construction: Elbow Type

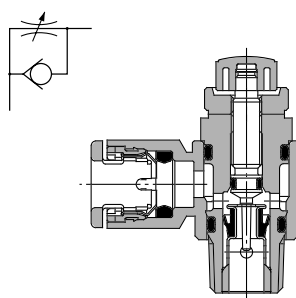
Meter-out type

JIS Symbol

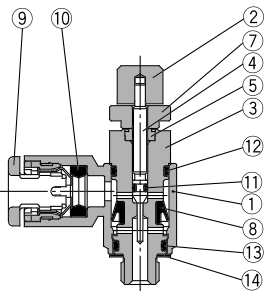


Meter-in type

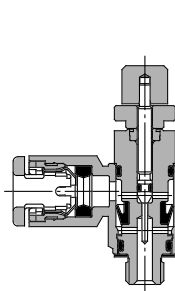
JIS Symbol



M5 type U10/32 type



M5 type U10/32 type



Component Parts

No.	Description	Material	Note
1	Body A	PBT	White
2	Handle	PBT	Black ⁽¹⁾
3	Body B	Brass	Electroless nickel plated
4	Needle	Brass	Electroless nickel plated
5	Needle guide	Brass	Electroless nickel plated, M5 type only
6	Seat ring	Brass	Electroless nickel plated
7	Lock nut	Brass ⁽²⁾	Electroless nickel plated ⁽³⁾
8	U seal	HNBR	
9	Cassette	—	
10	Seal	NBR	
11	O-ring	NBR	
12	O-ring	NBR	
13	O-ring	NBR	
14	Gasket	NBR, Stainless steel	M5 type only

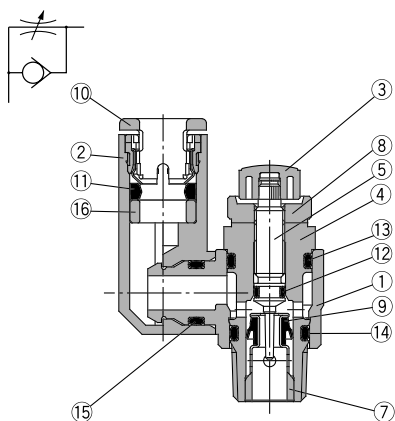
Note 1) M5 and U10/32 types are black zinc chromate plated.
Note 2) AS22□1FM type is made of steel.

Note 3) Meter-in type is black zinc chromate plated.

Construction: Universal Type

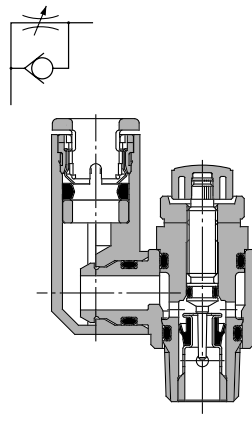
Meter-out type

JIS Symbol

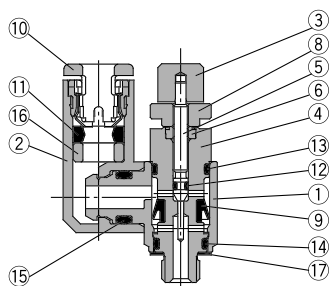


Meter-in type

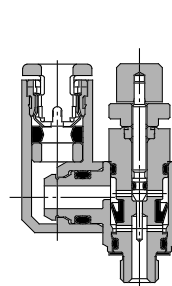
JIS Symbol



M5 type U10/32 type



M5 type U10/32 type



Component Parts

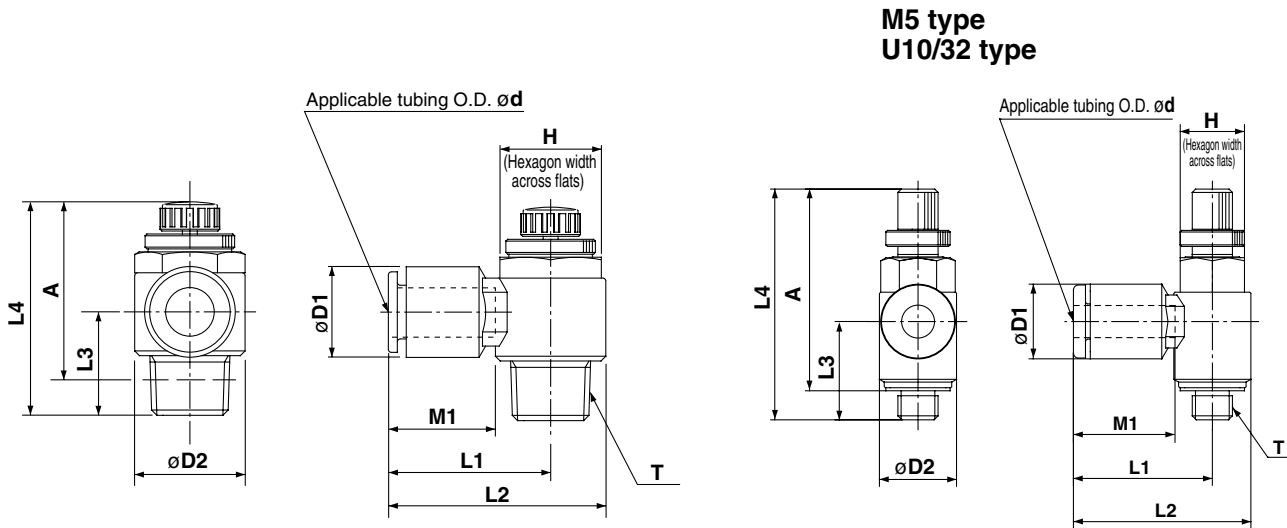
No.	Description	Material	Note
1	Body A	PBT	White
2	Elbow body	PBT	White
3	Handle	PBT	Black ⁽¹⁾
4	Body B	Brass	Electroless nickel plated
5	Needle	Brass	Electroless nickel plated
6	Needle guide	Brass	Electroless nickel plated, M5 type only
7	Seat ring	Brass	Electroless nickel plated
8	Lock nut	Brass ⁽²⁾	Electroless nickel plated ⁽³⁾
9	U seal	HNBR	
10	Cassette	—	
11	Seal	NBR	
12	O-ring	NBR	
13	O-ring	NBR	
14	O-ring	NBR	
15	O-ring	NBR	
16	Spacer	—	
17	Gasket	NBR, Stainless steel	M5 type only

Note 1) M5 and U10/32 types are black zinc chromate plated.
Note 2) AS23□1FM type is made of steel.

Note 3) Meter-in type is black zinc chromate plated.

Speed Controller for Low Speed Operation with One-touch Fitting Elbow Type/Universal Type (Resin Body) **Series AS-FM**

Dimensions: Elbow Type



Metric Size

Model	d	T	H	D1	D2	L1	L2	L3	L4 (1)(2)		A (1)(2)		M1	Mass (g)
									Max.	Min.	Max.	Min.		
AS12□1FM-M5-23	3.2	M5 x 0.8	8	8.4	9.6	17.3	22.1	12.3	33.8	28.8	30.1	25.1	12.7	7
AS12□1FM-M5-04	4			9.3		17.3	22.1							
AS12□1FM-M5-06	6			11.6		18.1	22.9							
AS22□1FM-01-23	3.2	R 1/8	12	9.3	14.2	20.4	27.5	13.4	35.2	30.2	32.1	27.1	12.7	17
AS22□1FM-01-04	4			9.3		20.4	27.5							
AS22□1FM-01-06	6			11.6		20.4	27.5							
AS22□1FM-01-08	8			15.2		25.3	32.4							
AS22□1FM-02-04	4	R 1/4	17	10.4	18.5	25.2	34.4	17.7	39.9	34.9	34.4	29.4	16	32
AS22□1FM-02-06	6			12.8		25.2	34.4							
AS22□1FM-02-08	8			15.2		27.2	36.4							
AS22□1FM-02-10	10			18.5		35.3	44.5							

Note 1) Reference dimensions

Note 2) Reference dimensions of M5 and R threads after installation.

Inch Size

Model	d	T	H	D1	D2	L1	L2	L3	L4 (1)		A (2)		M1	Mass (g)
									Max.	Min.	Max.	Min.		
AS12□1FM-U10/32-01	1/8"	10-32 UNF	8	8.4	9.6	17.3	22.1	12.3	33.8	28.8	30.1	25.1	12.7	7
AS12□1FM-U10/32-03	5/32"			9.3		17.3	22.1							
AS12□1FM-U10/32-05	3/16"			11.4		21.3	26.1							
AS12□1FM-U10/32-07	1/4"		12	18.3	23.1								13.5	
AS22□1FM-N01-01	1/8"	NPT 1/8	12.7	9.3	14.2	20.4	27.5	13.4	35.2	30.2	32.1	27.1	12.7	17
AS22□1FM-N01-03	5/32"			13.2		24	31.1							
AS22□1FM-N01-05	3/16"			13.2		23.9	31							
AS22□1FM-N01-07	1/4"			15.2		25.3	32.4							
AS22□1FM-N01-09	5/16"												21	21
AS22□1FM-N02-03	5/32"	NPT 1/4	17.5	10.4	18.5	25.2	34.4	17.7	39.9	34.9	34.4	29.4	16	32
AS22□1FM-N02-05	3/16"			12.8		25.2	34.5							
AS22□1FM-N02-07	1/4"			13.2		25.2	34.5							
AS22□1FM-N02-09	5/16"			15.2		27.2	36.4							
AS22□1FM-N02-11	3/8"			18.5		35.3	44.5	19.5					21	36

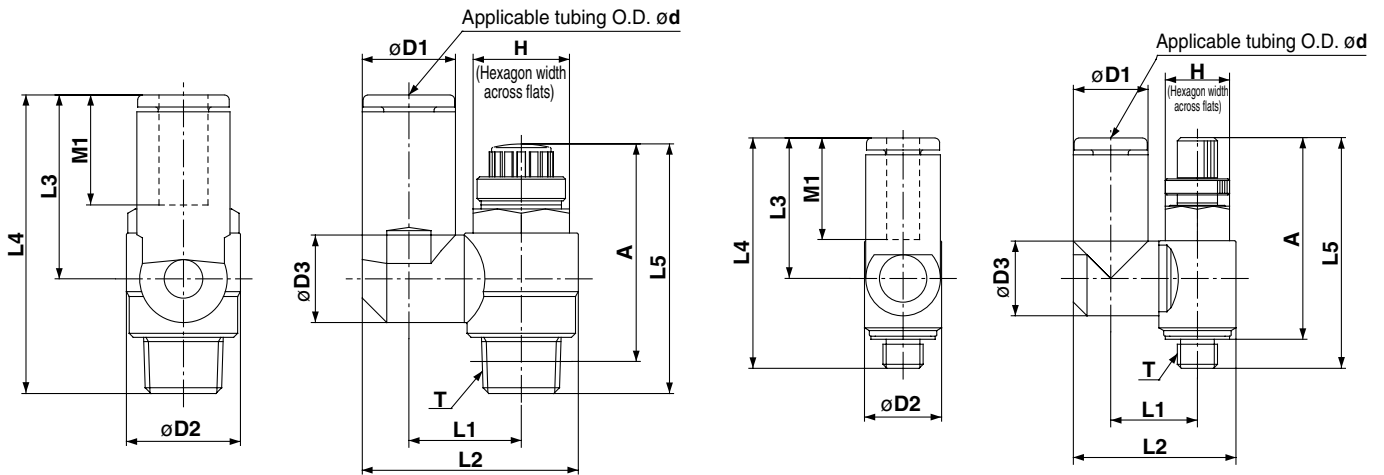
Note 1) Reference dimensions

Note 2) Reference dimensions of 10-32 UNF and NPT threads after installation.

Series AS-FM

Dimensions: Universal Type

M5 type



Metric Size

Model	d	T	H	D1	D2	D3	L1	L2	L3	L4	L5 (1)		A (2)		M1	Mass (g)		
											Max.	Min.	Max.	Min.				
AS13□1FM-M5-23	3.2	M5 x 0.8	8	8.4	9.6	9.3	10.8	19.8	17.5	28.7	33.8	28.8	30.1	25.1	12.7	8		
AS13□1FM-M5-04	4			20.3														
AS13□1FM-M5-06	6			21.4				20.6									31.8	
AS23□1FM-01-23	3.2	R 1/8	12	8.4	14.2	9.3	13.1	24.4	17.5	30.9	35.2	30.2	32.1	27.1	12.7	17		
AS23□1FM-01-04	4			9.3				24.9										
AS23□1FM-01-06	6			11.6				26.9									22.9	36.3
AS23□1FM-01-08	8	15.2	12.9	16.2	30.9	28.2	40.8								13.5	21		
AS23□1FM-02-04	4	R 1/4	17	10.4	18.5	10.9	16.2	30.6	21.9	39.6	39.9	34.9	34.4	29.4	16	33		
AS23□1FM-02-06	6			12.8				18.4							34		25.2	42.1
AS23□1FM-02-08	8			15.2				18.3							35.2		28.2	45.1
AS23□1FM-02-10	10	18.5	12.9	18.3	35.2	28.2	45.1								18.5	36		
								20.2	38.7	31	47.9				21	40		

Note 1) Reference dimensions

Note 2) Reference dimensions of M5 and R threads after installation.

Inch Size

Model	d	T	H	D1	D2	D3	L1	L2	L3	L4	L5 (1)		A (2)		M1	Mass (g)	
											Max.	Min.	Max.	Min.			
AS13□1FM-U10/32-01	1/8"	10-32 UNF	8	8.4	9.6	9.3	10.8	19.8	17.5	28.7	33.8	28.8	30.1	25.1	12.7	7	
AS13□1FM-U10/32-03	5/32"			20.3													
AS13□1FM-U10/32-05	3/16"			11.4				21.3									23.3
AS13□1FM-U10/32-07	1/4"	12	21.6	20.7	31.9										16.5	8	
AS23□1FM-N01-01S	1/8"	NPT 1/8	12.7	8.4	14.2	10.9	14	24.4	17.5	30.9	35.2	30.2	32.1	27.1	12.7	17	
AS23□1FM-N01-03S	5/32"			9.3				24.9									
AS23□1FM-N01-05S	3/16"			11.4				26.8									23.9
AS23□1FM-N01-07S	1/4"	13.2	12.9	16.2	29.9	25.6	38.2								18.5	19	
AS23□1FM-N01-09S	5/16"	15.2	12.9	16.2	30.9	28.2	40.8								21	21	
AS23□1FM-N02-03S	5/32"	NPT 1/4	17.5	10.4	18.5	10.9	16.2	30.6	21.9	39.6	39.9	34.9	34.4	29.4	16	32	
AS23□1FM-N02-05S	3/16"			11.4				31.1							23.9		41.6
AS23□1FM-N02-07S	1/4"			13.2				18.3							25.6		42.5
AS23□1FM-N02-09S	5/16"	15.2	12.9	18.3	35.2	28.2	45.1								18.5	36	
AS23□1FM-N02-11S	3/8"	17.9	12.9	18.3	35.2	28.2	45.1								21	39	
								20.2	38.7	31	47.9				21	40	

Note 1) Reference dimensions

Note 2) Reference dimensions of 10-32 UNF and NPT threads after installation.

Speed Controller for Low Speed Operation with One-touch Fitting In-line Type

Series AS-FM



Model

Model	Applicable tubing O.D.									Applicable cylinder bore size (mm)
	Metric size				Inch size					
	3.2	4	6	8	1/8"	5/32"	3/16"	1/4"	5/16"	
AS1001FM	●	●	●		●	●	●	●		6, 10, 16, 20
AS2001FM		●	●			●	●	●		20, 25, 32
AS2051FM			●	●			●	●	●	20, 25, 32, 40

Specifications

Fluid	Air
Proof pressure	1.5 MPa
Max. operating pressure	1 MPa
Min. operating pressure	0.1 MPa
Ambient and fluid temperature	-5 to 60°C (No freezing)
Number of needle rotations	10 turns (20 turns ⁽¹⁾)
Applicable tubing material ⁽²⁾	Nylon, Soft nylon, Polyurethane

Note 1) In the case of AS1001FM type

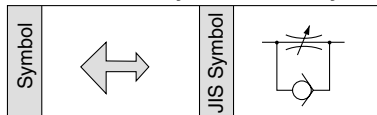
Note 2) Use caution regarding the max. operating pressure when soft nylon or polyurethane tubing is used.

(Refer to pages 371 and 372 for details.)

Note 3) Brass parts are all electroless nickel plated. The handle of the M5 type is black zinc chromate plated.

Flow Rate and Effective Area

Flow Direction Symbols on Body



Model		AS1001FM	AS2001FM		AS2051FM	
Tubing O.D.	Metric size	ø3.2, ø4, ø6	ø4	ø6	ø6	ø8
	Inch size	ø1/8", ø5/32", ø3/16", ø1/4"	ø5/32"	ø3/16", ø1/4"	ø3/16"	ø1/4", ø5/16"
Controlled flow	Flow rate (l/min (ANR))	7	12		38	
	Effective area (mm ²)	0.1	0.2		0.6	
Free flow	Flow rate (l/min (ANR))	100	130	230	290	460
	Effective area (mm ²)	1.5	2	3.5	4.5	7

Note) Flow rate values are measured at 0.5 MPa and 20°C.

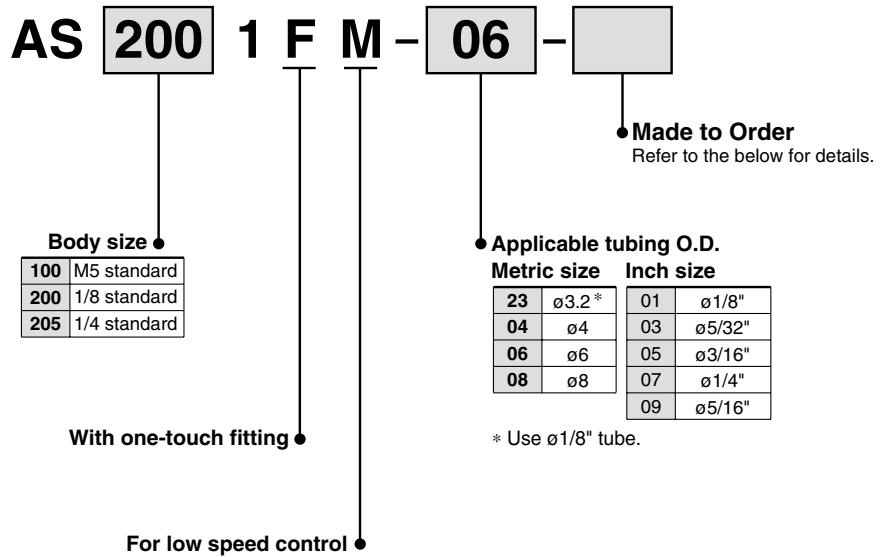
⚠ Caution

Be sure to read before handling.
Refer to front matters 58 and 59 for
Safety Instructions and pages 412 to 414
for Flow Control Equipment Precautions.



Made to Order
(Refer to page 503 for details.)

How to Order



Made to Order



Lubricant: Vaseline

X12

Ex.) AS2001FM-04-X12

Grease-free (Seal: Fluorine coated) + Throttle Valve (Without Check Valve)

X21

Ex.) AS2001FM-04-X21

Note 1) Not particle-free

Throttle Valve (Without Check Valve)

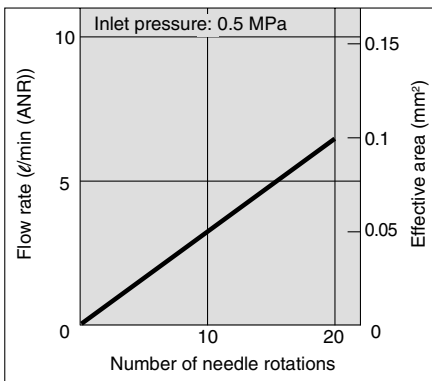
X214

Ex.) AS2001FM-04-X214

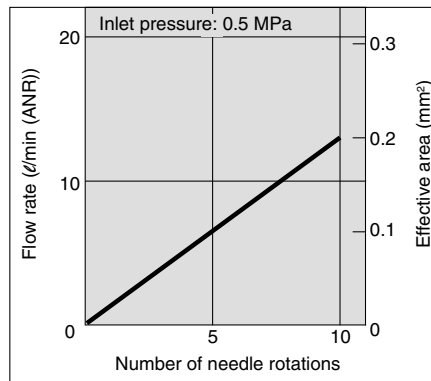
- AS
- ASP
- ASN
- AQ
- ASV
- AK
- VCHC
- ASS
- ASR
- ASQ
- KE
- TMH

Needle Valve/Flow Characteristics

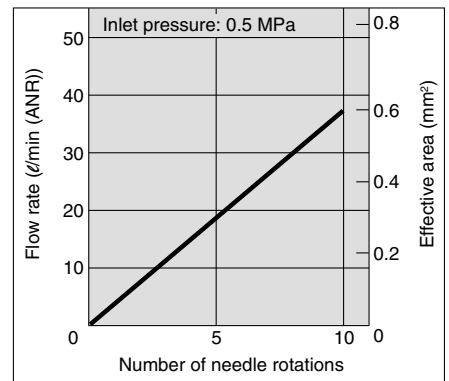
AS1001FM



AS2001FM

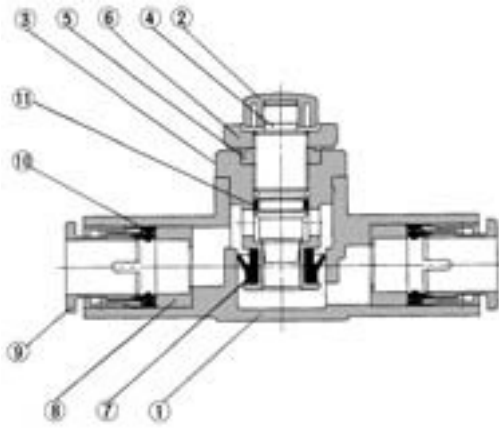


AS2051FM



Series AS-FM

Construction



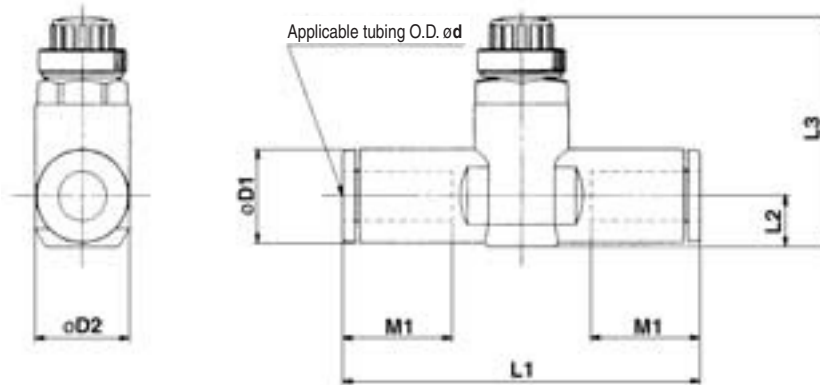
Component Parts

No.	Description	Material	Note
1	Body A	PBT	
2	Handle	PBT ⁽¹⁾	Black
3	Body B	Brass	Electroless nickel plated
4	Needle	Brass	Electroless nickel plated
5	Needle guide	Brass	Electroless nickel plated
6	Lock nut	Brass ⁽²⁾	Electroless nickel plated
7	U seal	HNBR	
8	Spacer	—	
9	Cassette	—	
10	Seal	NBR	
11	O-ring	NBR	

Note 1) AS1001FM type is made of brass (black zinc chromate plated).

Note 2) AS20□1FM type is made of steel.

Dimensions



Metric Size

Model	d	D1	D2	L1	L2	L3		M1	Mass (g)
						Max.	Min.		
AS1001FM-23	3.2	8.4	10	38	4.5	27.7	24.9	12.7	6
AS1001FM-04	4	9.3		39.2	5.2	28.5	25.5		7
AS1001FM-06	6	11.6		40.7	6.2	29.8	26.6		13.7
AS2001FM-04	4	9.3	11.8	40.7	5.2	32.6	27.6	12.7	12
AS2001FM-06	6	11.6		44.8	6.3	33.7	28.7		13.7
AS2051FM-06	6	12.8	14.8	53.2	6.7	35.2	30.2	17	26
AS2051FM-08	8	15.2		59.8	8.1	36.5	31.5		18

Inch Size

Model	d	D1	D2	L1	L2	L3 ⁽¹⁾		M1	Mass (g)	
						Max.	Min.			
AS1001FM-01	1/8"	8.4	10	38	4.5	27.7	24.9	12.7	6	
AS1001FM-03	5/32"	9.3		39.2	5.2	28.5	25.5		7	
AS1001FM-05	3/16"	11.4		48.7	6.2	27.7	24.7		16.5	8
AS1001FM-07	1/4"	12	40.7	13.7				9		
AS2001FM-03	5/32"	9.3	11.8	40.7	5.2	32.6	29.6	12.7	12	
AS2001FM-05	3/16"	11.4		50	6.2	33.6	28.6		16.5	18
AS2001FM-07	1/4"	13.2	14.8	52.2	7.1	34.5	29.5	17	21	
AS2051FM-05	3/16"	11.4		52.2	6.2	34.6	29.6		16.5	24
AS2051FM-07	1/4"	13.2		54.4	7.1	35.5	30.5		17	26
AS2051FM-09	5/16"	15.2		59.8	8.1	36.5	31.5		18	31

Note 1) Reference dimensions

Clean Speed Controller with One-touch Fitting

Series AS-FPQ/AS-FPG



*Speed controllers
for clean room use*

**AS-FPQ: Brass (electroless nickel plated) and
AS-FPG: Stainless steel 304 are now available as a series.**

AS

ASP

ASN

AQ

ASV

AK

VCHC

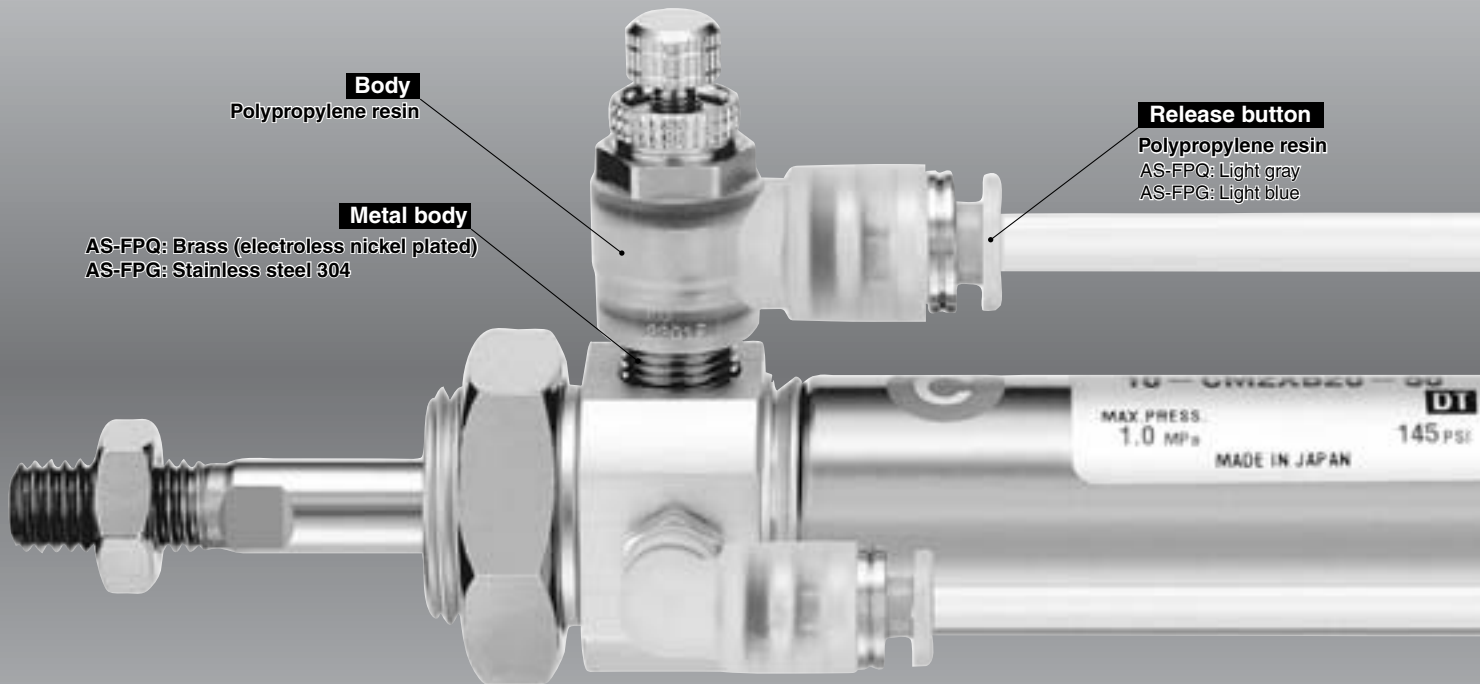
ASS

ASR
ASQ

KE

TMH

Low particulate generating speed controllers designed for use in clean rooms



Clean Speed Controller
with One-touch Fitting

Series AS-FPQ/FPG



Series AS-FPQ
Brass (electroless nickel plated)

Series AS-FPG
Stainless steel 304

Elbow type	Port size	Applicable tube O.D. (mm)					Applicable cylinder bore size (mm)
		4	6	8	10	12	
AS12□1FP□-M5	M5 x 0.8	●	●				6, 10, 16, 20
AS22□1FP□-01	R 1/8	●	●	●	●	●	20, 25, 32
AS22□1FP□-02	R 1/4	●	●	●	●	●	20, 25, 32, 40
AS32□1FP□-03	R 3/8	●	●	●	●	●	40, 50, 63
AS42□1FP□-04	R 1/2	●	●	●	●	●	63, 80, 100

Low particulate generation

AS-FPQ
Resin: PP
Metal: Brass (electroless nickel plated)

AS-FPG
Resin: PP
Metal: Stainless steel 304

10-AS-F
Resin: PBT, POM
Metal: Brass (electroless nickel plated)

10-AS-FG
Resin: PBT, POM
Metal: Stainless steel 303

Clean performance

Environmental resistance Excellent

Clean Speed Controller with One-touch Fitting Elbow Type

Series AS-FPQ/FPG

AS-FPQ/Brass (electroless nickel plated)

Release button color: Light gray

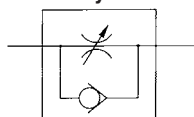


AS-FPG/Stainless steel 304

Release button color: Light blue



JIS Symbol



Flow Direction Symbols on Body

	Meter-out type	Meter-in type
Symbol		
JIS Symbol		

Model

Elbow type	Port size	Applicable tubing O.D. (mm)					Applicable cylinder bore size (mm)
		4	6	8	10	12	
AS12□1FP□-M5	M5 x 0.8	●	●				6, 10, 16, 20
AS22□1FP□-01	R 1/8	●	●	●			20, 25, 32
AS22□1FP□-02	R 1/4	●	●	●	●		20, 25, 32, 40
AS32□1FP□-03	R 3/8		●	●	●	●	40, 50, 63
AS42□1FP□-04	R 1/2				●	●	63, 80, 100

Specifications

Fluid	Air
Particulate generation grade	Grade 1 (1)
Proof pressure (20°C)	1.5 MPa (2)
Maximum operating pressure (20°C)	1 MPa (3)
Minimum operating pressure	0.1 MPa
Ambient and fluid temperature	-5 to 60°C (No freezing)
Number of needle rotations	10 rotations (8 rotations (4))
Oil	Fluorine-based grease

Note 1) Refer to particulate generation grade classifications.

Note 2) Proof pressure is 1.5 times higher than maximum operating pressure.

Note 3) The value of the maximum operating pressure is at a temperature of 20°C. In other cases, refer to "Relationship between Operating Temperature and Max. Operating Pressure" below.

Note 4) For AS12□1FP□

Flow Rate and Effective Area

Model		AS12□1FP□-M5		AS22□1FP□-01		AS22□1FP□-02		AS32□1FP□-03		AS42□1FP□-04	
Tubing O.D.	Metric sizes	ø4	ø6	ø4	ø6	ø8	ø10	ø6	ø8	ø10	ø12
Controlled flow	Flow rate /min (ANR)	100	180	230	260	390	460	660	790	920	1580
(free) flow	Effective area mm ²	1.5	2.7	3.5	4	6	7	10	12	14	26

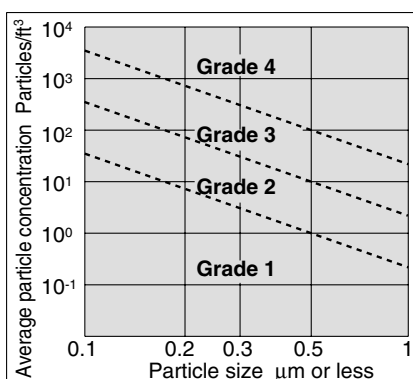
Note) Flow rate values are at a pressure of 0.5MPa, and temperature of 20°C.

Recommended Applicable Tubing

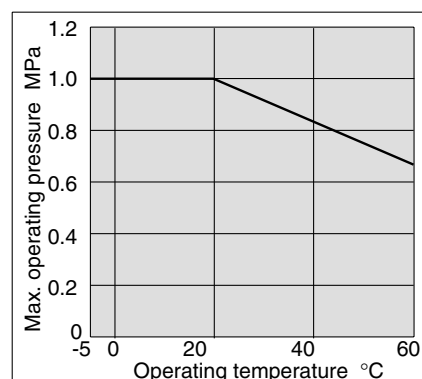
Tubing material	Clean series polyurethane tubing: Series 10
Tubing O.D.	ø4, ø6, ø8, ø10, ø12

Polyurethane tubing: Series TU, Nylon tubing: Series T and Soft nylon tubing: Series TS can also be used. However, the degree of clean performance will decline.

Particulate Generation Grade Classifications



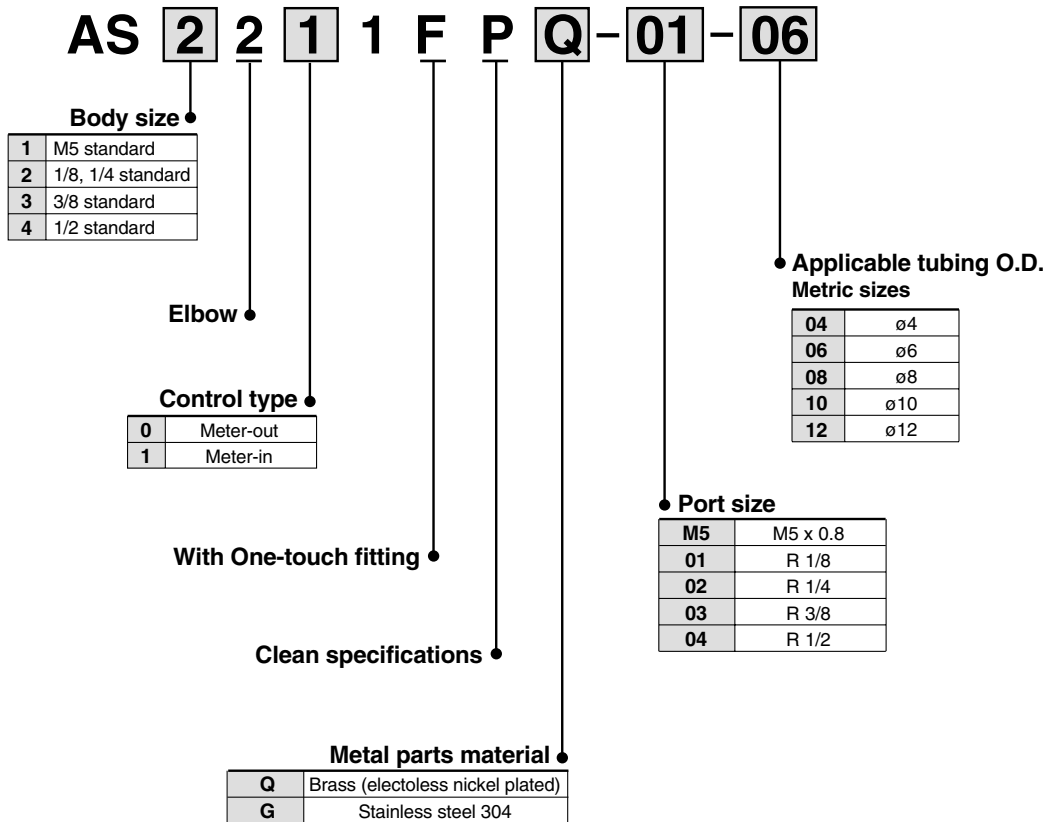
Relation between Operating Temp. and Max. Operating Pressure



Note) Refer to back page 10 for details.

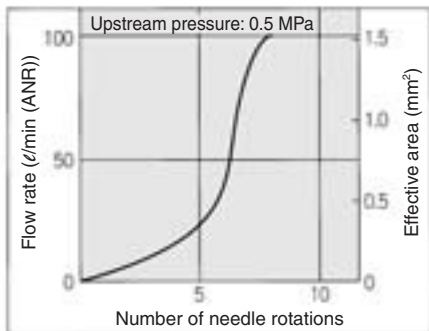
Series AS-FPQ/FPG

How to Order

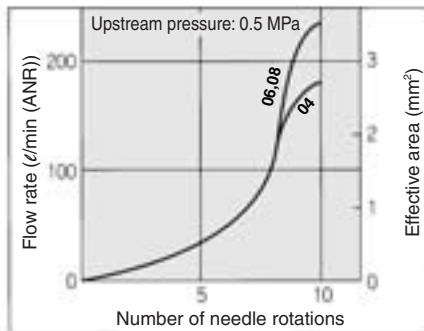


Needle Valve/Flow Characteristics

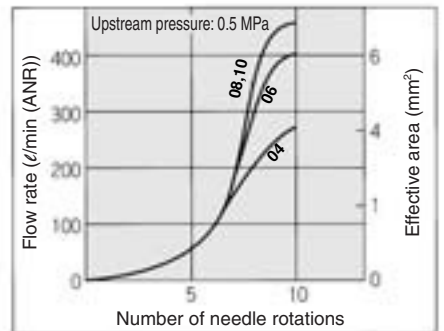
AS12□1FP□-M5



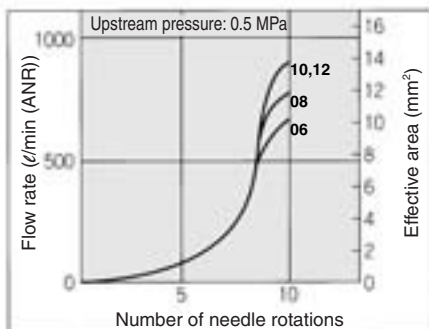
AS22□1FP□-01



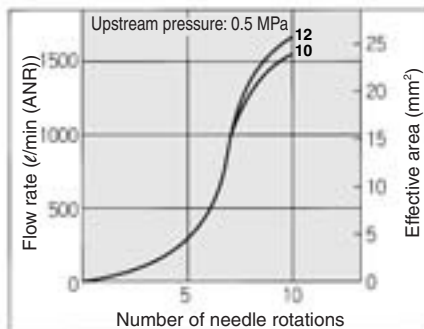
AS22□1FP□-02



AS32□1FP□-03

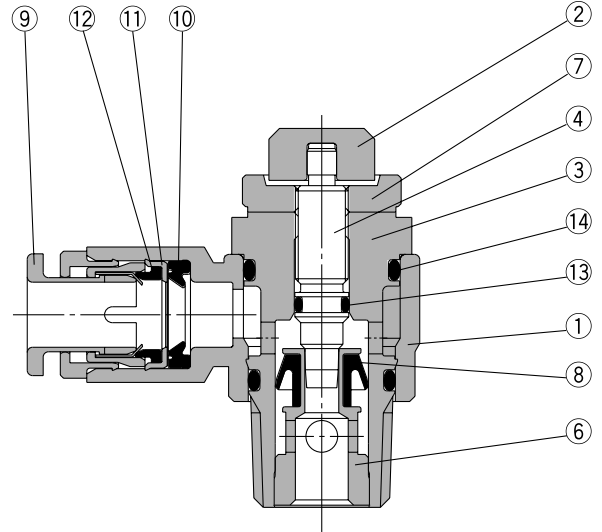
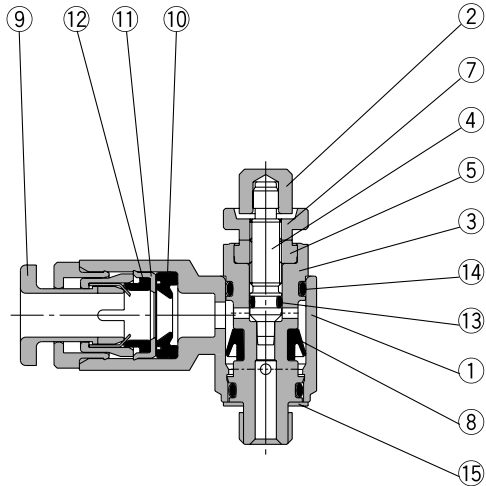


AS42□1FP□-04

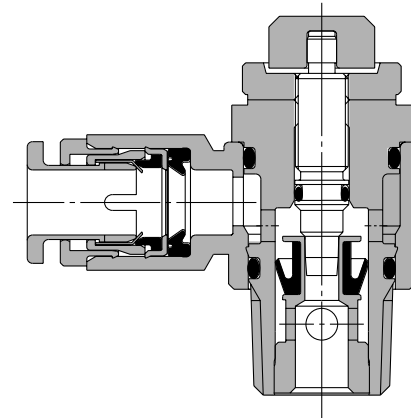
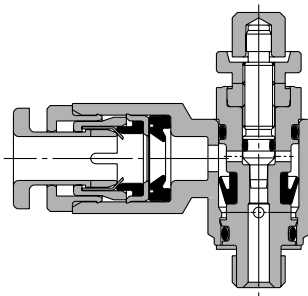


Construction

Meter-out type M5 type



Meter-in type M5 type



Component Parts

No.	Description	AS□□□1FPQ		AS□□□1FPG	
		Material	Note	Material	Note
1	Body A	Polypropylene resin		Polypropylene resin	
2	Knob	Brass	Electroless nickel plated	Stainless steel 304	
3	Body B	Brass	Electroless nickel plated	Stainless steel 304	
4	Needle	Brass	Electroless nickel plated	Stainless steel 304	
5	Needle guide	Brass	Electroless nickel plated	Stainless steel 304	
6	Seat ring	Brass	Electroless nickel plated	Stainless steel 304	
7	Lock nut	Brass	Electroless nickel plated	Stainless steel 304	
8	U seal	HNBR		HNBR	
9	Cassette	Polypropylene resin Stainless steel 304, Brass	Brass parts are electroless nickel plated	Polypropylene resin Stainless steel 304	
10	Seal	NBR		NBR	
11	Stopper	Stainless steel 304		Stainless steel 304	
12	Cushion	NBR		NBR	
13	O-ring	NBR		NBR	
14	O-ring	NBR		NBR	
15	Gasket	NBR, Stainless steel 304		NBR, Stainless steel 304	

AS

ASP

ASN

AQ

ASV

AK

VCHC

ASS

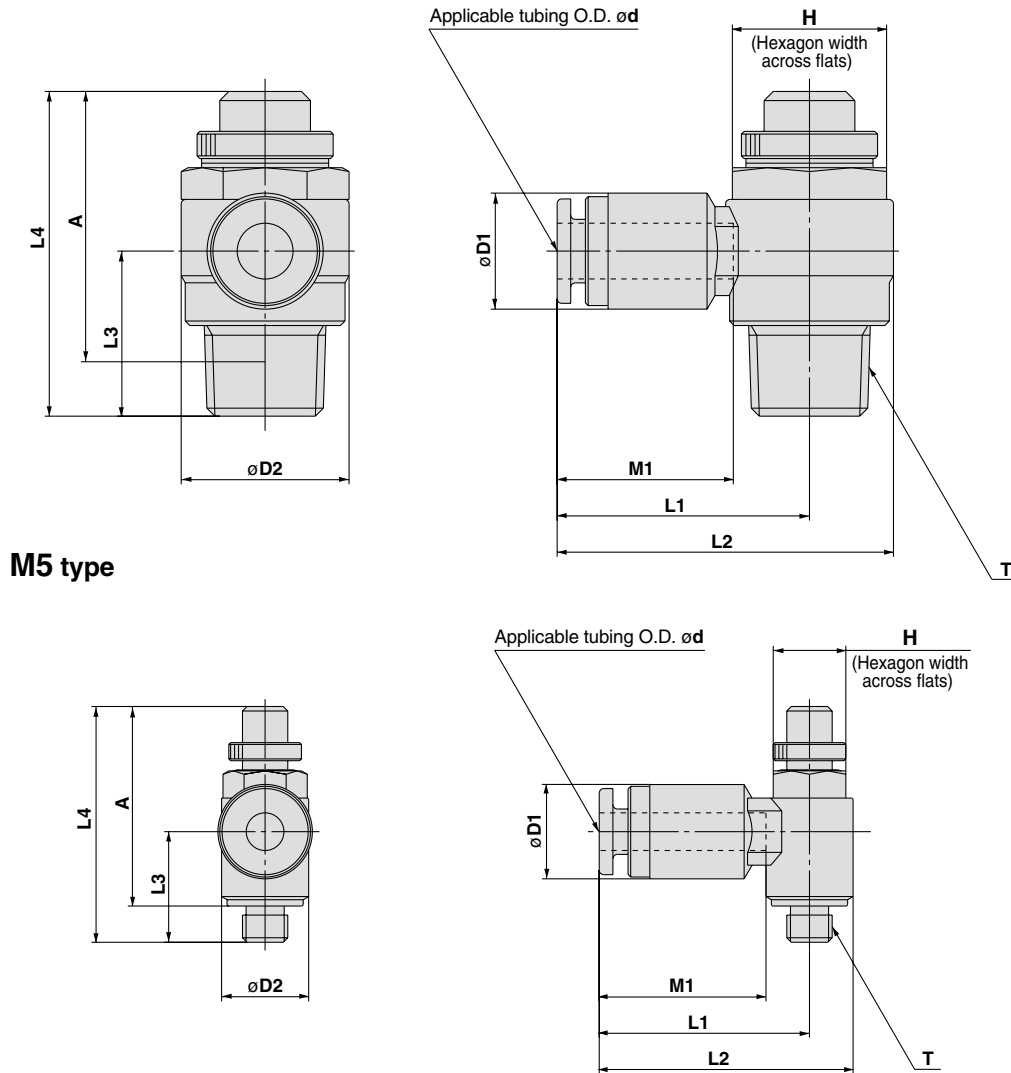
ASR
ASQ

KE

TMH

Series AS-FPQ/FPG

Dimensions



Model	Tubing O.D. ϕ	T	H	D1	D2	L1	L2	L3 ⁽⁴⁾	L4 ⁽¹⁾⁽⁴⁾		A ⁽²⁾		M1	Mass (g) ⁽³⁾				
									Max.	Min.	Max.	Min.		1*	2*			
AS12□1FP□-M5-04	4	M5 x 0.8	8	10.4	9.6	22.2	27	12.2	28.8	26	25.2	22.4	17	7	7			
AS12□1FP□-M5-06	6			12.8		23.2	28	(12.2)	(28.8)	(26)			18.5	8	8			
AS22□1FP□-01-04	4	R 1/8	12	10.4	14.2	24.3	31.4	13.4	35.5	30.5	32.4	27.4	17	17	17			
AS22□1FP□-01-06	6			12.8		25.3	32.4						(14.3)	(36.4)	(31.4)	18.5	18	18
AS22□1FP□-01-08	8			15.2		27.5	34.6								20.5	20	20	
AS22□1FP□-02-04	4	R 1/4	17	10.4	18.5	26.8	36	17.7	40.3	35.3	34.8	29.4	17	33	33			
AS22□1FP□-02-06	6			12.8		26.8	36						(18.2)	(40.8)	(35.8)	18.5	33	33
AS22□1FP□-02-08	8			15.2		29.4	38.6								20.5	35	35	
AS22□1FP□-02-10	10			18.5		37.3	46.5						18.3(18.8)		23	38	38	
AS32□1FP□-03-06	6	R 3/8	19	12.8	23	29.4	40.9	19.8	45.8	40.8	40.6	35.6	18.5	59	55			
AS32□1FP□-03-08	8			15.2		31.9	43.4						(20.9)	(46.9)	(41.9)	20.5	61	57
AS32□1FP□-03-10	10			18.5		33.6	45.1								23	63	59	
AS32□1FP□-03-12	12			20.9		34.8	46.3								24	65	61	
AS42□1FP□-04-10	10	R 1/2	24	18.5	28.6	35.6	49.9	24.5	57.2	49.7	49.9	42.4	23	107	100			
AS42□1FP□-04-12	12			20.9		37.2	51.5						(25.4)	(58.1)	(50.6)	24	109	102

Note 1) Reference dimensions

Note 2) Reference dimension for threads after installation

Note 3) 1* is the weight for type AS□2□1FPQ (brass + electroless nickel plated), 2* is the weight for type AS□2□1FPG (Stainless steel 304).

Note 4) Dimensions of AS□2□1FPQ, (): AS□2□1FPG



Series *AS-FPQ/FPG* Specific Product Precautions

Be sure to read before handling. Refer to front matters 58 and 59 for Safety Instructions and pages 412 to 414 for Flow Control Equipment Precautions.

Handling

Caution

1. Store away from direct sunlight at 40°C or less.
2. Open the inner package of the double packaging in a clean room or other clean environment.

Piping

Caution

1. Be sure to use sealant tape or liquid gasket at the taper thread part. Using without sealant tape or liquid gasket can cause air leakage.

AS

ASP

ASN

AQ

ASV

AK

VCHC

ASS

ASR
ASQ

KE

TMH

Flame Resistant (Equivalent to UL-94 Standard V-0) Speed Controller with One-touch Fittings Elbow Type

Series AS

Minimizes installation time and cost

Tube swivels 360°

Application to inch size tubing

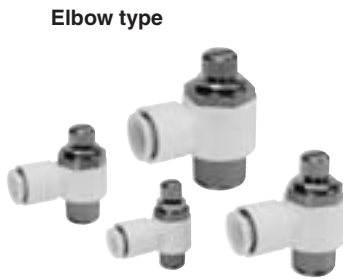
● Metric size
ø6, ø8, ø10, ø12

Maximum operating pressure 1 MPa max.

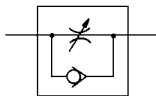
Applicable tubing materials
FR double layer, FR soft nylon

Retainer prevents accidental loss of needle.

Comes standard with seal.



JIS Symbol



Flow Direction Symbols on Body

	Meter-out type	Meter-in type
Symbol		
JIS Symbol		

Model

Elbow type	Port size	Applicable tubing O.D. (mm)				Applicable cylinder bore size (mm)
		6	8	10	12	
AS22□1F-01-□W2	R 1/8	●	●	●		20, 25, 32
AS22□1F-02-□W2	R 1/4	●	●	●		20, 25, 32, 40
AS32□1F-02-□W2	R 1/4	●	●	●	●	40, 50, 63
AS32□1F-03-□W2	R 3/8	●	●	●	●	40, 50, 63
AS42□1F-04-□W2	R 1/2			●	●	63, 80, 100

Note 1) Meter-out and meter-in types can be visually differentiated by the lock nut.

The lock nut on the meter-out type is electroless nickel plated, while the meter-in type is black zinc chromate plated.

Note 2) ● Marking is electroless nickel plated, provided as standard. (N specifications)

Specifications

Fluid	Air
Proof pressure	1.5 MPa
Max. operating pressure	1 MPa
Mini. operating pressure	0.1 MPa
Ambient and fluid temperature	-5 to 60°C (No freezing)
Number of needle rotations	10 turns
Applicable tubing material ^{Note)}	FR double layer, FR soft nylon

Note) Use caution regarding the max. tubing operating pressure.
(Refer to pages 379 and 380 for details.)

Flow Rate and Effective Area

Model	AS22□1F-01			AS22□1F-02			AS32□1F			AS42□1F	
	ø6, ø8, ø10	ø4	ø6	ø8, ø10	ø6	ø8	ø10, ø12	ø10	ø12		
Controlled flow	Flow rate l/min (ANR)	230	260	390	460	660	790	920	1580	1710	
(Free flow)	Effective area (mm ²)	3.5	4	6	7	10	12	14	24	26	

Note) Flow rate values are measured at 0.5 MPa and 20°C.

⚠ Caution

Be sure to read before handling.
Refer to front matters 58 and 59 for Safety Instructions and pages 412 to 414 for Flow Control Equipment Precautions.

AS

ASP

ASN

AQ

ASV

AK

VCHC

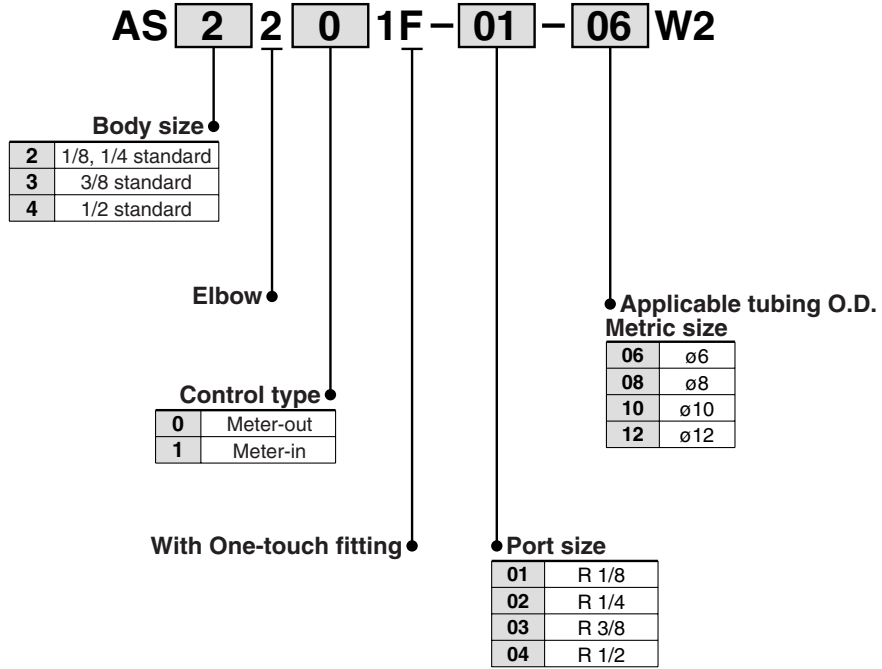
ASS

ASR
ASQ

KE

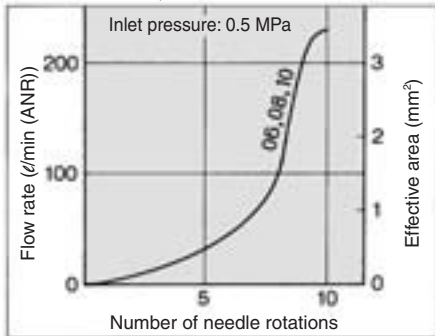
TMH

How to Order

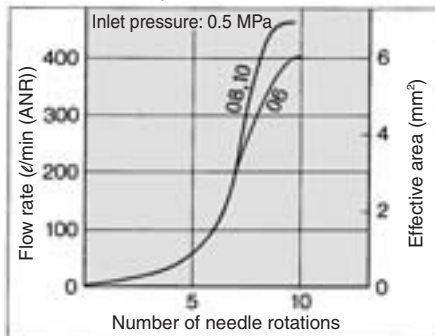


Needle Valve/Flow Characteristics

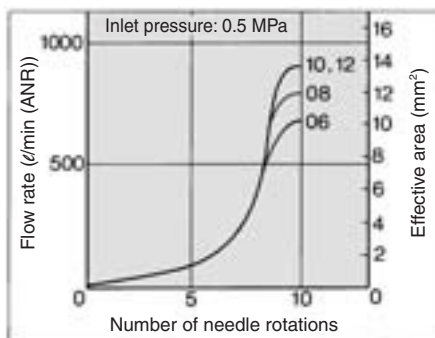
AS2201F-01, AS2211F-01



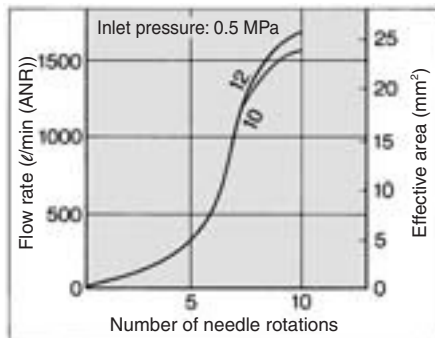
AS2201F-02, AS2211F-02



AS3201F, AS3211F

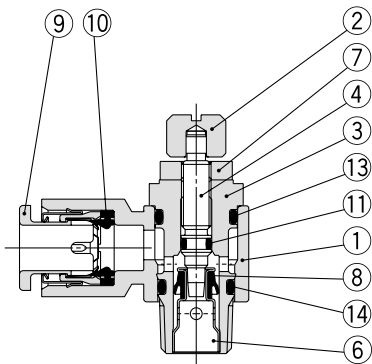


AS4201F, AS4211F

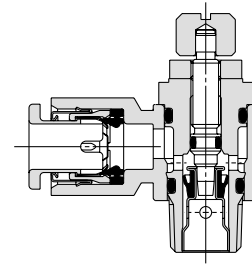


Construction

Meter-out type

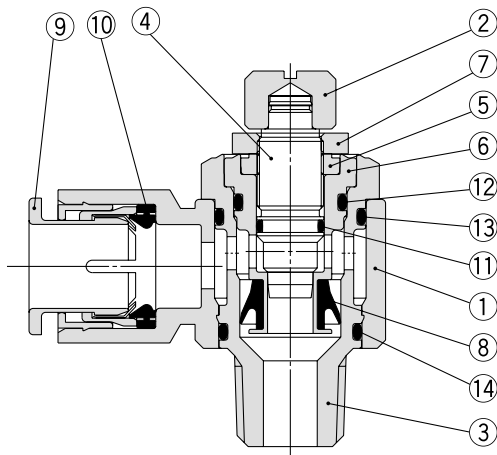


Meter-in type

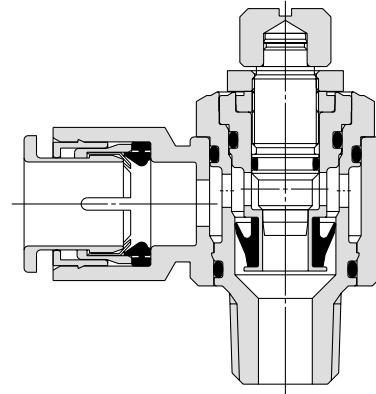


AS32□1F-02

Meter-out type AS3201F-02



Meter-in type AS3211F-02



AS

ASP

ASN

AQ

ASV

AK

VCHC

ASS

**ASR
ASQ**

KE

TMH

Component Parts

No.	Description	Material	Note
1	Body A	Flame-resistant PBT	
2	Handle	Brass	Electroless nickel plated
3	Body B	Brass	Electroless nickel plated
4	Needle	Brass	Electroless nickel plated
5	Needle guide	Brass	Electroless nickel plated
6	Seat ring	Brass	(1)
7	Lock nut	Brass	Electroless nickel plated (2)
8	U-packing	HNBR	
9	Cassette	—	
10	Seal	NBR	
11	O-ring	NBR	
12	O-ring	NBR	
13	O-ring	NBR	
14	O-ring	NBR	

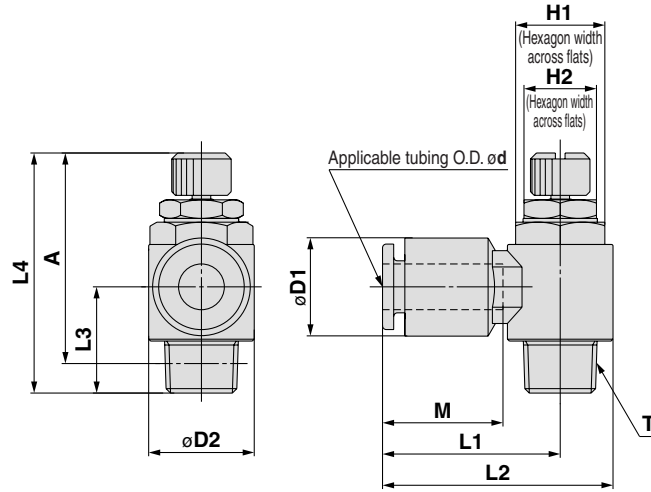
Note 1) AS22□1F, AS32□1F-02: Electroless nickel plated.

Note 2) Meter-in type is black zinc chromate plated.

Series AS



Elbow Type



Metric Size

Model	Applicable tubing O.D. ϕd	T	H1	H2	D1	D2	L1	L2	L3	L4 ⁽¹⁾		A ⁽²⁾		M	Mass (g)	
										Max.	Min.	Max.	Min.			
AS22□1F-01-06W2	6	R 1/8	12	10	13.2	14.2	23.9	31	13.4	36.4	31.4	33.3	28.3	17	19	
AS22□1F-01-08W2	8				15.2		25.3	32.4						18.5	21	23
AS22□1F-01-10W2	10				18.5		32.1	39.2						15.2	21	23
AS22□1F-02-06W2	6	R 1/4	17	12	13.2	18.5	25.2	34.4	17.7	41.1	36.1	35.6	30.6	17	34	
AS22□1F-02-08W2	8				15.2		27.2	36.4						18.5	18.5	36
AS22□1F-02-10W2	10				18.5		35.3	44.5						18.3	21	38
AS32□1F-02-06W2	6	R 1/4	19	14	13.2	23	27.8	39.3	21.3	49.9	44.9	44.4	39.4	17	63	
AS32□1F-02-08W2	8				15.2		29.5	41						18.5	65	
AS32□1F-02-10W2	10				18.5		31.5	43.1						21	67	
AS32□1F-02-12W2	12				20.9		32.8	44.3						22	69	
AS32□1F-03-06W2	6	R 3/8	19	14	13.2	23	27.8	39.3	19.8	47.4	42.4	42.4	37.4	17	58	
AS32□1F-03-08W2	8				15.2		29.5	41						18.5	60	
AS32□1F-03-10W2	10				18.5		31.5	43.1						21	62	
AS32□1F-03-12W2	12				20.9		32.8	44.3						22	64	
AS42□1F-04-10W2	10	R 1/2	24	17	18.5	28.6	33.6	47.9	24.5	58.7	51.2	51.4	43.9	21	101	
AS42□1F-04-12W2	12				20.9		35.2	49.5						22	107	

Note 1) Reference dimensions

Note 2) Reference thread dimensions after installation.

Speed Controller with One-touch Fittings

In-line Type

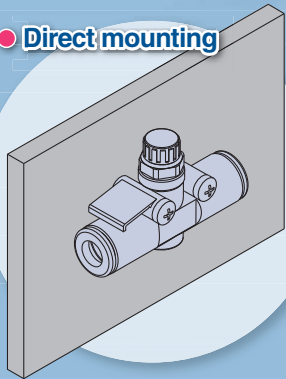
New

RoHS

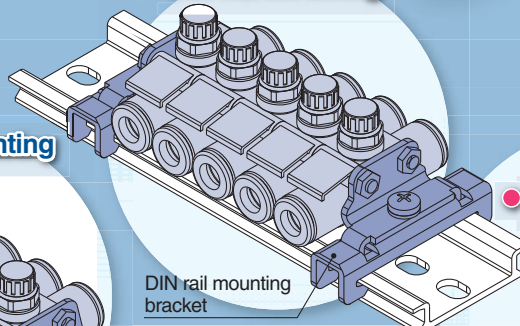


4 types of mounting variations

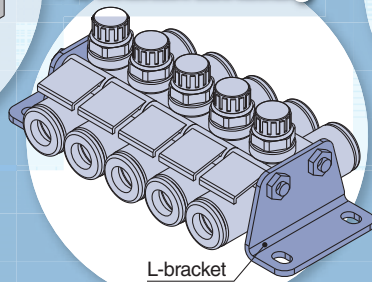
● Direct mounting



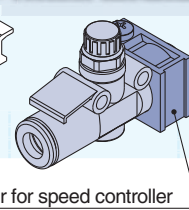
● DIN rail mounting



● L-bracket mounting

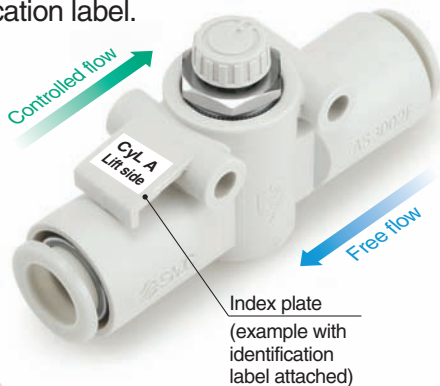


● Holder mounting



Index plate

It is possible to **identify the product** when **multiple controllers** are mounted and **identify the flow direction** by attaching an identification label.

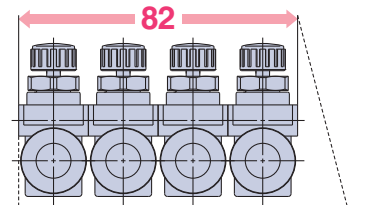


Index plate (example with identification label attached)

Compact

NEW

Four AS3002F-10 controllers connected

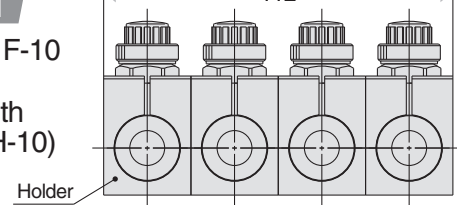


27% DOWN

112

Conventional

Four AS3001F-10 controllers connected with holders (TMH-10)



Lightweight

Reduced by **30%** compared with the conventional product (AS2002F-04)

Flow-rate characteristics are equivalent to the conventional product.

Series AS

SMC
CAT.NAS20-215B

Series AS

Series

Series	Applicable tube O.D.											Applicable cylinder bore size			
	Metric size						Inch size					(inch)		(mm)	
	2	3.2	4	6	8	10	12	1/8"	5/32"	1/4"	5/16"	3/8"	1/2"		
AS1002F	●		●	●				●	●	●				1/4"	2.5, 4, 6
AS2002F		●	●					●	●					1/4", 3/8", 5/8", 3/4"	6, 10, 16, 20
AS2052F			●	●					●	●				3/4", 1", 1 1/4", 1 1/2"	20, 25, 32, 40
AS3002F			●	●	●	●			●	●				1 1/2", 2", 2 1/2"	40, 50, 63
AS4002F					●	●					●	●		2 1/2", 3 1/4", 4"	63, 80, 100

Specifications

Fluid	Air
Proof pressure	218 psi (1.5 MPa) 152 psi <small>Note 1)</small> (1.05 MPa <small>Note 1)</small>)
Max. operating pressure	145 psi (1 MPa) 102 psi <small>Note 1)</small> (0.7 MPa <small>Note 1)</small>)
Min. operating pressure	15 psi (0.1 MPa)
Ambient and fluid temperature	23 to 140°F (-5 to 60°C) (No freezing)
Applicable tube material <small>Note 2)</small>	Nylon, Soft nylon, Polyurethane

Note 1) In case of AS1002F-02

Note 2) Use caution at the max. operating pressure when using soft nylon or polyurethane tubing.

(Refer to pages 371 and 372 of Best Pneumatics Vol. 6)

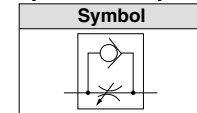
Note 3) Brass parts are all electroless nickel plated.

Flow Rate and Flow Coefficient

Series	AS1002F	AS2002F	AS2052F	AS3002F	AS4002F
Tube O.D.	Metric size	ø2, ø3.2, ø4, ø6	ø4, ø6	ø6, ø8	ø6, ø8, ø10, ø12
	Inch size	—, ø1/8", ø5/32", ø1/4"	ø5/32", ø1/4"	—, ø1/4", ø5/16"	ø1/4", ø5/16", ø3/8", ø3/8", ø1/2"
Controlled flow (Free flow)	Flow rate (scfm)	0.7	3.5	4.6	8.1
	Cv	0.02	0.08	0.11	0.19

Note) Flow rate values are measured at 73 psi and 70°F.

Flow Direction Symbol on Body



How to Order



AS 400 2F - 12 - [] - []

Body size	
100	M3, M5 standard
200	1/8 standard
205	1/4 standard
300	3/8 standard
400	1/2 standard

Metric size	Inch size
02	ø1/8"
23	ø3.2"
04	ø4"
06	ø6"
08	ø8"
10	ø10"
12	ø12"



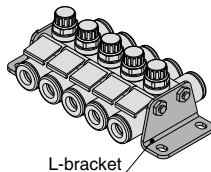
Lock nut option	
Nil	Hexagon lock nut
J	Round lock nut

With one-touch fittings

Options

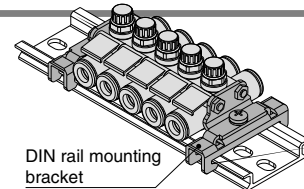
L-bracket

Part no.	Applicable series
AS-12L	AS1002F-02
AS-10L	AS1002F
AS-20L	AS2002F
AS-25L	AS2052F
AS-30L	AS3002F
AS-40L	AS4002F



DIN rail mounting bracket

Part no.	Applicable series
AS-10D	AS1002F
AS-20D	AS2002F
AS-25D	AS2052F
AS-30D	AS3002F
AS-40D	AS4002F



* Bracket for AS1002F-02 is not available.

* Prepare DIN rail by user.

Part no. list of threaded stud kit for manifold

Model	4 stations	6 stations	8 stations	10 stations
AS1002F-02	AS-31B	AS-32B	AS-33B	AS-34B
AS1002F-23	AS-32B	AS-34B	AS-33B	AS-34B
AS1002F-04			AS-35B	AS-36B
AS1002F-06			AS-36B	AS-37B
—			AS-37B	AS-38B
AS2002F-04	AS-32B	AS-34B	AS-35B	AS-37B
AS2002F-06			AS-36B	AS-38B
—			AS-36B	AS-38B
AS2052F-06	AS-41B	AS-42B	AS-44B	AS-45B
—			AS-44B	AS-45B
AS2052F-08			AS-44B	AS-45B
AS3002F-06	AS-42B	AS-44B	AS-45B	AS-47B
—			AS-45B	AS-46B
AS3002F-08			AS-45B	AS-46B
AS3002F-10			AS-45B	AS-46B
—			AS-45B	AS-46B
AS4002F-10	AS-43B	AS-45B	AS-47B	AS-48B
—			AS-47B	AS-48B
AS4002F-12			AS-47B	AS-48B

Details of threaded stud kit for manifold

Part no.	Threaded stud		Accessories					
	Length (mm)	pcs.	Hexagon nut	Flat washer	pcs.			
AS-31B	38	2	M3	4	M3			
AS-32B	62	2						
AS-33B	72	2						
AS-34B	90	2						
AS-35B	104	2						
AS-36B	114	2						
AS-37B	135	2						
AS-38B	140	2						
AS-41B	78	2				M4	4	M4
AS-42B	111	2						
AS-43B	119	2						
AS-44B	147	2						
AS-45B	179	2						
AS-46B	191	2						
AS-47B	236	2						
AS-48B	277	2						

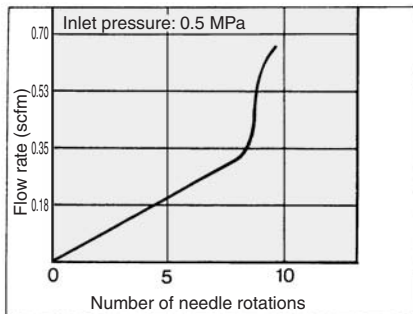
* Precautions when options are ordered

Threaded studs for manifold are not included when L-bracket and DIN rail mounting bracket are ordered. Please order them according to the number of stations.

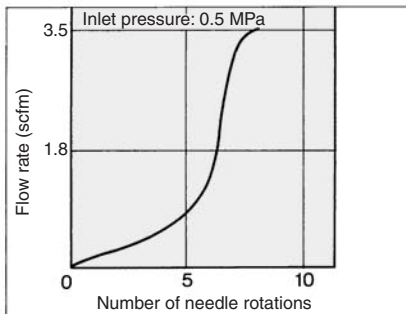
Ex.) AS2002F-04	When connecting 4 pcs. and mounting L-brackets on both sides
• Speed controller	AS2002F-04 4 pcs.
• L-bracket	AS-20L 2 pcs.
• Threaded stud kit for manifold	AS-32B 1 pc.

Needle Valve/Flow-rate Characteristics

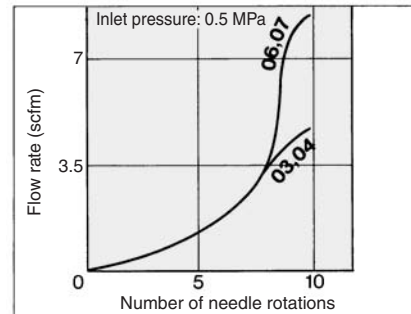
AS1002F-02



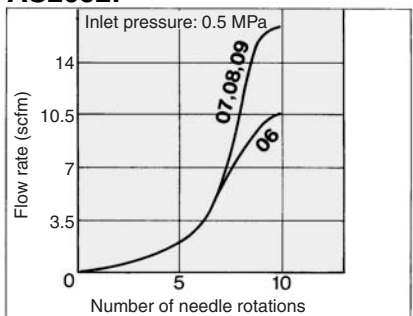
AS1002F



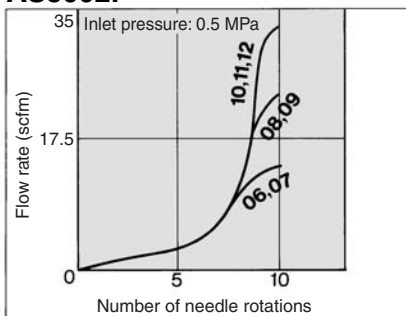
AS2002F



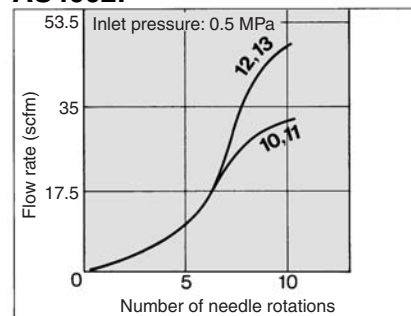
AS2052F



AS3002F

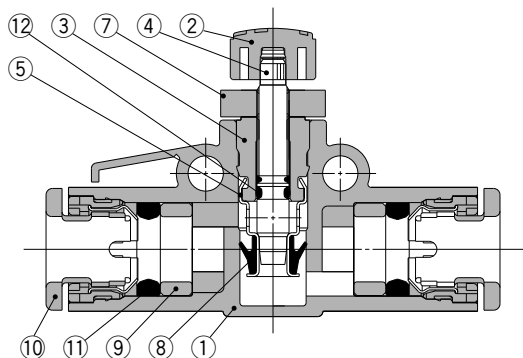


AS4002F

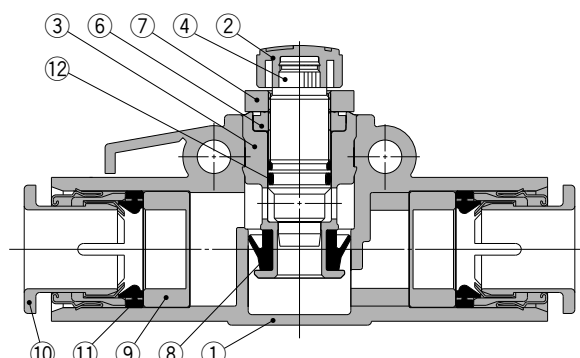


Construction

AS1002F, AS2002F, AS2052F



AS1002F-02, AS3002F, AS4002F



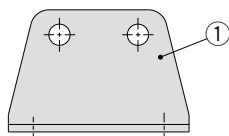
Component Parts

No.	Description	Material	Note
1	Body A	PBT	
2	Handle	PBT	
3	Body B	Brass	Electroless nickel plated
4	Needle	Brass	Electroless nickel plated
5	Seat ring	Brass	Electroless nickel plated
6	Needle guide	Brass	Electroless nickel plated

No.	Description	Material	Note
7	Lock nut	Steel wire	Zinc chromated
8	U-seal	HNBR	
9	Spacer	POM ^{Note)}	
10	Cassette	—	
11	Seal	NBR	
12	O-ring	NBR	

Note) AS2052F, AS3002F, AS4002F are made of PBT. AS3002F-11, AS4002F-11, AS4002F-13 are made of electroless nickel plated brass.

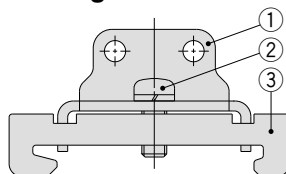
L-bracket



Component Part

No.	Description	Material
1	Bracket	Steel strip

DIN rail mounting bracket



Component Parts

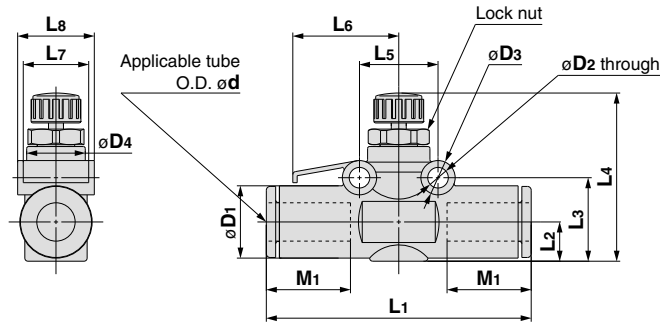
No.	Description	Material
1	Bracket	Steel strip
2	Cross recessed round head screw	Steel wire
3	Clasp	Steel strip

⚠ Caution

Be sure to read before handling.
Refer to back cover for Safety
Instructions and Best Pneumatics
Vol. 6 for Flow Control Equip-
ment Precautions.

Series AS

Dimensions



Metric Size

Unit: mm

Model	Applicable tube O.D. ød	D1	D2	D3	D4	L1	L2	L3	L4 (Note)		L5	L6	L7	L8	M1	Weight (g)
									MAX.	MIN.						
AS1002F-02	2	6	3.2	5	6	25.4	3.4	7.9	20.9	18.4	11	9.8	5	6.7	8.8	3
AS1002F-23	3.2	8.4	3.3	5.5	9.1	36	4.4	11.1	23.8	21	11	15.4	8.8	9.8	12.7	5
AS1002F-04	4	9.3				37	5.1	11.8	24.5	21.7				10.1		5.5
AS1002F-06	6	11.6				39.5	6.1	12.8	25.5	22.7				12.3		6.5
AS2002F-04	4	9.3	3.3	5.5	10	40.7	5.2	12.3	28.9	25.4	12.6	17	10.5	11.5	12.7	8.5
AS2002F-06	6	11.6				42.5	6.3	13.4	30	26.5				12.3	9.5	
AS2052F-06	6	12.8	4.3	7.8	14	53.2	6.7	16.3	33.2	28.2	17	22.8	12	15.7	17	19
AS2052F-08	8	15.2				57.2	8	17.6	34.5	29.5				16.1	22	
AS3002F-06	6	13.2	4.3	8	19.3	59	7.4	19.3	38.6	33.6	22	25	12	20.5	17	36
AS3002F-08	8	15.2				65	8.2	20.1	39.4	34.4					18	38
AS3002F-10	10	18.5				70.8	9.8	21.7	41	36					21	42
AS3002F-12	12	20.9				76	10.9	22.8	42.1	37.1					22.1	44
AS4002F-10	10	18.5	4.3	8	25	76.9	10.3	22.7	51.6	44.1	28	33	14	26.2	21	76
AS4002F-12	12	21.7				81.3	11.3	23.7	52.6	45.1					22	82

Note) Reference dimensions

Inch Size

Unit: mm

Model	Applicable tube O.D. ød	D1	D2	D3	D4	L1	L2	L3	L4 (Note)		L5	L6	L7	L8	M1	Weight (g)
									MAX.	MIN.						
AS1002F-01	1/8"	8.4	3.3	5.5	9.1	36	4.5	11.2	23.8	21	11	15.4	8.8	9.8	12.7	5
AS1002F-03	5/32"	9.3				37	5.2	11.9	24.5	21.7				10.1		5.5
AS1002F-07	1/4"	12				39.5	6.1	12.8	25.5	22.7				12.8		6.5
AS2002F-03	5/32"	9.3	3.3	5.5	10	40.7	5.2	12.3	28.9	25.4	12.6	17	10.5	11.5	12.7	8.5
AS2002F-07	1/4"	12				42.6	6.5	13.6	30.2	26.7				12.8	9.5	
AS2052F-07	1/4"	13.2	4.3	7.8	14	53.4	6.9	16.5	33.4	28.4	17	22.8	12	15.7	17	19
AS2052F-09	5/16"	15.2				57.2	8	17.6	34.5	29.5				16.1	22	
AS3002F-07	1/4"	13.2	4.3	8	19.3	59	7.4	19.3	38.6	33.6	22	25	12	20.5	17	35
AS3002F-09	5/16"	15.2				65	8.2	20.1	39.4	34.4					18	38
AS3002F-11	3/8"	18.5				69.8	9.8	21.7	41	36					21	52
AS4002F-11	3/8"	18.5				76.9	10.3	22.7	51.6	44.1					21	86
AS4002F-13	1/2"	21.7	4.3	8	25	81.3	11.3	23.7	52.6	45.1	28	33	14	26.2	22	95

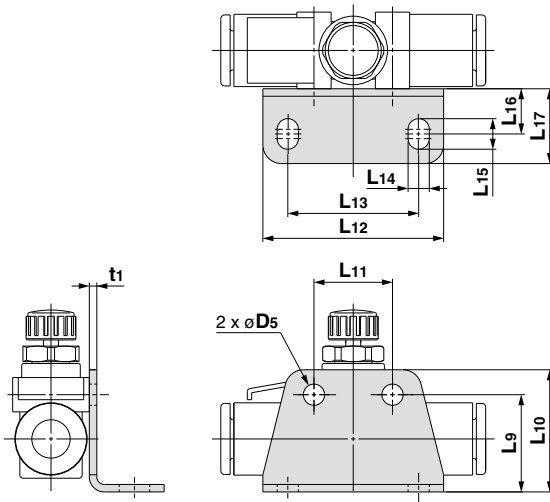
Note) Reference dimensions

It is possible to tighten the lock nut (hexagon) manually.
 If the nut needs to be fixed more firmly, retighten it with a tool. When using a tool, the nut needs to be tightened to the recommended tightening torque shown in the table.
 As a guide, it should be tightened by 15 to 30° with a tool after tightening it manually.
 Be careful not to damage the lock nut by applying too much torque.

Series	Proper tightening torque (ft.lb)
AS1002F-02	0.05
AS1002F	0.15
AS2002F	0.22
AS2052F	0.74
AS3002F	1.5
AS4002F	3

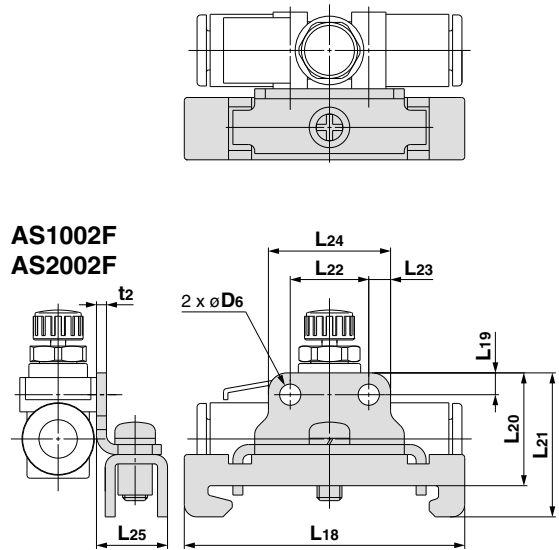
L-bracket

Bracket on a single side



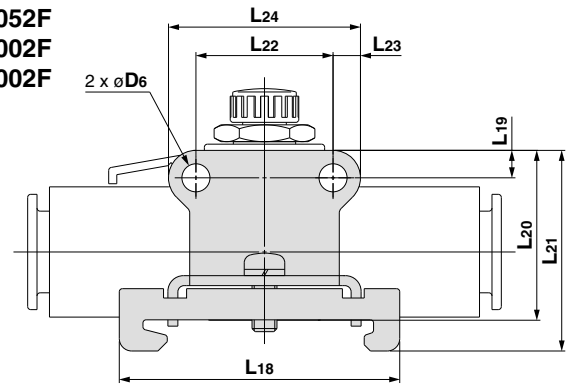
DIN rail mounting bracket

Bracket on a single side



AS1002F
AS2002F

AS2052F
AS3002F
AS4002F



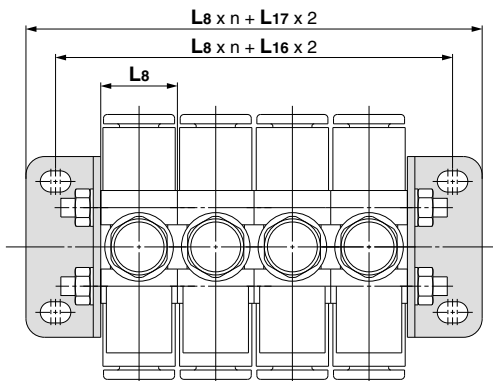
Unit: mm

Part no.	Applicable series	D5	L9	L10	L11	L12	L13	L14	L15	L16	L17	t1
AS-12L	AS1002F-02		9.9	13.4	11	27.5	19.5					1
AS-10L	AS1002F	3.4	14.8	18.3				3.4	4.9	7.3	12	
AS-20L	AS2002F		15.6	19.6	12.6	29	21					1.2
AS-25L	AS2052F		19.6	24.6	17	38	28					
AS-30L	AS3002F	4.5	24.8	29.8	22	43	33	4.5	6.5	9.5	15.5	
AS-40L	AS4002F		25.7	30.7	28	49	39					1.4

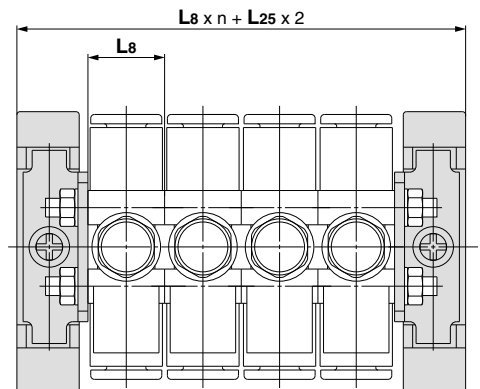
Unit: mm

Part no.	Applicable series	D6	L18	L19	L20	L21	L22	L23	L24	L25	t2
AS-10D	AS1002F	3.4		3.5	18.2	23.2	11		18		
AS-20D	AS2002F				18.6	23.6	12.6	3.5	19.6		
AS-25D	AS2052F	45			22	27	17		25.8	11.2	1.6
AS-30D	AS3002F	4.5		4.4	27.2	32.2	22	4.4	30.8		
AS-40D	AS4002F				28.1	33.1	28		36.8		

Brackets on both sides



Brackets on both sides



*1 Refer to page 3 for L8.

*2 The above figure shows the manifold with controllers connected using two L-brackets and a threaded stud kit for manifold. Refer to page 1 for threaded stud kits for manifold.

*1 Refer to page 3 for L8.

*2 The above figure shows the manifold with controllers connected using two DIN rail mounting brackets and a threaded stud kit for manifold. Refer to page 1 for threaded stud kits for manifold.

Holder for Speed Controller

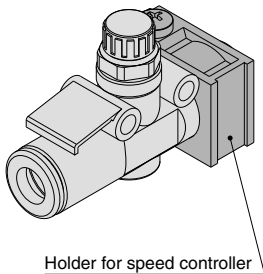
Series *TMH*

A holder for securing a speed controller with one-touch fittings (In-line type)

Possible to hold a single controller.



● Holder mounting



Specifications

Ambient temperature	-4 to 140°F (-20 to 60°C)
Material	Polypropylene
Color	White

Accessory: Cross Recessed Round Head Screw for Mounting

Model		Size (Nominal x Length)	Piece
Metric size	Inch size	M3 x 15	1
TMH-23J	TMH-01J		
TMH-04J	TMH-03J		
TMH-06J	TMH-07J		
TMH-06	TMH-07		
TMH-08	TMH-09		
TMH-10	—	M4 x 25	
TMH-12	TMH-13	M4 x 35	

Series

Select the applicable holder/TMH for each speed controller from the below table.

Metric Size

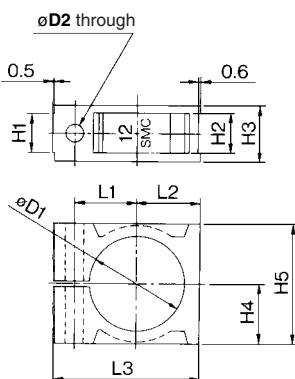
Applicable series	Tube size	Applicable tube					
		23 ø3.2	04 ø4	06 ø6	08 ø8	10 ø10	12 ø12
AS1002F	TMH-23J	TMH-04J	TMH-06J	TMH-08	TMH-10	TMH-12	
AS2002F							
AS2052F			TMH-06	TMH-08	TMH-10	TMH-12	
AS3002F			TMH-07				
AS4002F						TMH-13	

Note) The applicable TMH for AS1002F-02 is not available.

Inch Size

Applicable series	Tube size	Applicable tube					
		01 ø1/8"	03 ø5/32"	07 ø1/4"	09 ø5/16"	11 ø3/8"	13 ø1/2"
AS1002F	TMH-01J	TMH-03J	TMH-07J	TMH-09	TMH-10	TMH-13	
AS2002F							
AS2052F			TMH-07	TMH-09	TMH-10	TMH-13	
AS3002F							
AS4002F							

Dimensions





Model		øD1	øD2	H1	H2	H3	H4	H5	L1	L2	L3	Symbol
Metric size	Inch size											
TMH-23J	TMH-01J	8.5	3.3	4.5	4.6	7.5	6	12	7.2	6.6	18	1/8J
TMH-04J	TMH-03J	9.4										4 5/32J
TMH-06J	—	11.7	3.3	6.3	6.4	9.3	7.7	15.4	8.5	8.3	21	6J
—	TMH-07J	12.1										1/4J
TMH-06	—	13.1										6
—	TMH-07	13.5	4.3	7.1	7.2	11.1	10	20	11	10.6	26.5	1/4
TMH-08	TMH-09	15.5										8 5/16
TMH-10	—	18.8										10
TMH-12	—	21.2	4.3	9.5	9.6	13.5	14	28	14.2	14.6	34	12
—	TMH-13	22										1/2


Unit: mm

Safety Instructions

These safety instructions are intended to prevent hazardous situations and/or equipment damage. These instructions indicate the level of potential hazard with the labels of “**Caution**,” “**Warning**” or “**Danger**.” They are all important notes for safety and must be followed in addition to International Standards (ISO/IEC), American National Standards Institute (ANSI)*1) and other safety regulations.

 **Caution:** **Caution** indicates a hazard with a low level of risk which, if not avoided, could result in minor or moderate injury.

 **Warning:** **Warning** indicates a hazard with a medium level of risk which, if not avoided, could result in death or serious injury.

 **Danger:** **Danger** indicates a hazard with a high level of risk which, if not avoided, will result in death or serious injury.

*1) ISO 4414: Pneumatic fluid power – General rules relating to systems.

ISO 4413: Hydraulic fluid power – General rules relating to systems.

IEC 60204-1: Safety of machinery – Electrical equipment of machines. (Part 1: General requirements)

ISO 10218-1: Manipulating industrial robots - Safety.

ANSI / (NFPA) T2.25.1 R2: Pneumatic fluid power - Systems standard for industrial machinery.

NFPA (Fluid) T2.24.1 R1: Hydraulic fluid power - Systems standard for stationary industrial machinery.

NF PA 79: Electrical Standard for Industrial Machinery.

ANSI / RIA / ISO 10218 -1: Robots for Industrial Environment - Safety Requirements - Part 1 - Robot. etc.

Warning

1. The compatibility of the product is the responsibility of the person who designs the equipment or decides its specifications.

Since the product specified here is used under various operating conditions, its compatibility with specific equipment must be decided by the person who designs the equipment or decides its specifications based on necessary analysis and test results. The expected performance and safety assurance of the equipment will be the responsibility of the person who has determined its compatibility with the product. This person should also continuously review all specifications of the product referring to its latest catalog information, with a view to giving due consideration to any possibility of equipment failure when configuring the equipment.

2. Only personnel with appropriate training should operate machinery and equipment.

The product specified here may become unsafe if handled incorrectly. The assembly, operation and maintenance of machines or equipment including our products must be performed by an operator who is appropriately trained and experienced.

3. Do not service or attempt to remove product and machinery/equipment until safety is confirmed.

1. The inspection and maintenance of machinery/equipment should only be performed after measures to prevent falling or runaway of the driven objects have been confirmed.
2. When the product is to be removed, confirm that the safety measures as mentioned above are implemented and the power from any appropriate source is cut, and read and understand the specific product precautions of all relevant products carefully.
3. Before machinery/equipment is restarted, take measures to prevent unexpected operation and malfunction.

4. Contact SMC beforehand and take special consideration of safety measures if the product is to be used in any of the following conditions.

1. Conditions and environments outside of the given specifications, or use outdoors or in a place exposed to direct sunlight.
2. Installation on equipment in conjunction with atomic energy, railways, air navigation, space, shipping, vehicles, military, medical treatment, combustion and recreation, or equipment in contact with food and beverages, emergency stop circuits, clutch and brake circuits in press applications, safety equipment or other applications unsuitable for the standard specifications described in the product catalog.
3. An application which could have negative effects on people, property, or animals requiring special safety analysis.
4. Use in an interlock circuit, which requires the provision of double interlock for possible failure by using a mechanical protective function, and periodical checks to confirm proper operation.

Caution

1. The product is provided for use in manufacturing industries.

The product herein described is basically provided for peaceful use in manufacturing industries.

If considering using the product in other industries, consult SMC beforehand and exchange specifications or a contract if necessary.

If anything is unclear, contact your nearest sales branch.

Limited warranty and Disclaimer/ Compliance Requirements

The product used is subject to the following “Limited warranty and Disclaimer” and “Compliance Requirements”. Read and accept them before using the product.

Limited warranty and Disclaimer

1. The warranty period of the product is 1 year in service or 1.5 years after the product is delivered.*2)

Also, the product may have specified durability, running distance or replacement parts. Please consult your nearest sales branch.

2. For any failure or damage reported within the warranty period which is clearly our responsibility, a replacement product or necessary parts will be provided.

This limited warranty applies only to our product independently, and not to any other damage incurred due to the failure of the product.

3. Prior to using SMC products, please read and understand the warranty terms and disclaimers noted in the specified catalog for the particular products.

*2) Vacuum pads are excluded from this 1 year warranty.

A vacuum pad is a consumable part, so it is warranted for a year after it is delivered.

Also, even within the warranty period, the wear of a product due to the use of the vacuum pad or failure due to the deterioration of rubber material are not covered by the limited warranty.

Compliance Requirements

1. The use of SMC products with production equipment for the manufacture of weapons of mass destruction (WMD) or any other weapon is strictly prohibited.
2. The exports of SMC products or technology from one country to another are governed by the relevant security laws and regulations of the countries involved in the transaction. Prior to the shipment of a SMC product to another country, assure that all local rules governing that export are known and followed.

Revision history

Edition B * Addition of round lock nut to lock nut option.

OZ

Safety Instructions

Be sure to read “Handling Precautions for SMC Products” (M-E03-3) before using.



SMC Corporation of America

10100 SMC Blvd., Noblesville, IN 46060 www.smcusa.com

SMC Pneumatics (Canada) Ltd. www.pneumatics.ca

(800) SMC.SMC1 (762-7621)

e-mail: sales@smcusa.com

For International inquiries: www.smcworld.com

Speed Controller with One-touch Fitting/Elbow Type

Reduces labor time!

New

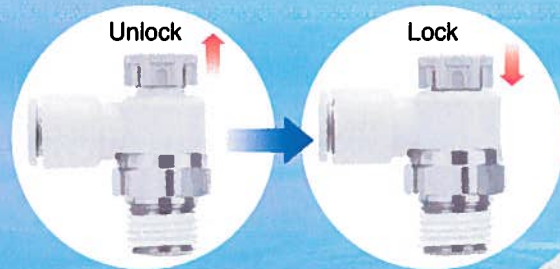
RoHS

Easy to use

Push-lock type

Larger handle

• Easy to lock



Body size	oD (mm)
1	9
2	11.6 (Port size 1/8)
	12.6 (Port size 1/4)
3	15.6
4	17.6

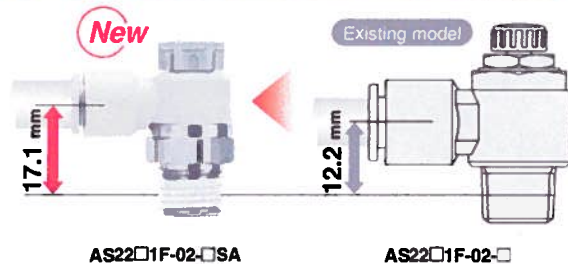


Improved tube insertion/removal



* Tube pulling out strength is ensured to be equivalent to existing model.

More space beneath the tube. Easier installation/removal of the tube.



AS22□1F-02□SA

AS22□1F-02□



Series AS

SMC
CAT.ES20-220A

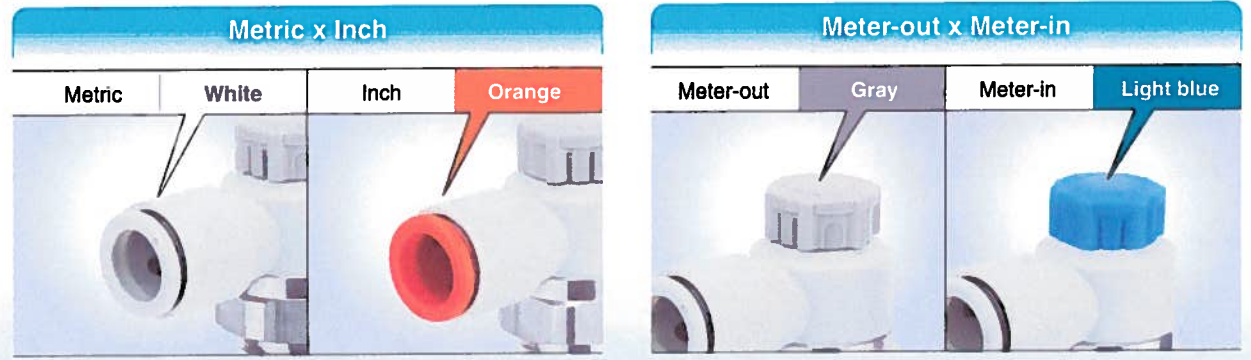
Series Variations

Body size	Port size	Seal method	Applicable tubing O.D.											Applicable tubing material			
			Metric size						Inch size								
			2	3.2	4	6	8	10	12	16	1/8"	5/32"	1/4"		5/16"	3/8"	1/2"
1	M5 x 0.8	Gasket seal	•	•	•	•							•	•	•		
	10-32 UNF		•	•	•	•							•	•	•		
2	R, 1/8	Sealant*1		•	•	•	•	•					•	•	•	•	
				•	•	•	•	•					•	•	•	•	•
3	NPT, 3/8	Sealant*1				•	•	•	•					•	•	•	
4	1/2							•	•	•					•	•	•

*1 Non-sealant type can be selected as a standard option.

⊙ Electroless nickel plated type is standard.

Easy identification of product type



Speed Controller with One-touch Fitting Elbow Type Series AS

RoHS

Model

Model	Port size	Seal method	Applicable tubing O.D.																
			Metric size						Inch size										
			2 (Note 2)	3.2	4	6	8	10	12	16	1/8"	5/32"	1/4"	5/16"	3/8"	1/2"			
AS12□1F-M5	M5 x 0.8	Gasket seal	●	●	●	●							●	●	●				
AS12□1F-U10/32	10-32 UNF		●	●	●	●							●	●	●				
AS22□1F-□01	R NPT	Sealant (Note 1)		●	●	●	●	●					●	●	●	●			
AS22□1F-□02			1/4		●	●	●	●	●					●	●	●	●	●	
AS32□1F-□03			3/8				●	●	●	●	●					●	●	●	
AS42□1F-□04			1/2							●	●	●						●	●

Note 1) Non-sealant type can be selected as a standard option.

Note 2) Only polyurethane tubing is applicable for ø2.

Specifications

Flow Direction Symbols on Body

	Meter-out type	Meter-in type
Indication symbol		

Fluid	Air
Proof pressure	1.5 MPa
Max. operating pressure	1 MPa
Min. operating pressure	0.1 MPa
Ambient and fluid temperature	-5 to 60°C (No freezing)
Applicable tubing material	Nylon, Soft nylon, Polyurethane (Note)

Note) Use caution at the max. operating pressure when using soft nylon or polyurethane tubing.
(Refer to Best Pneumatics No. 6 for details.)

Flow Rate and Sonic Conductance

⚠ Caution

Be sure to read before handling.
Refer to back cover for Safety
Instructions and "Handling
Precautions for SMC Products"
(M-E03-3) for Flow Control
Equipment Precautions.

Model	AS12□1F-M5	AS22□1F-01	AS22□1F-02	AS32□1F-03	AS42□1F-04	
Tubing O.D.	Metric size	ø2 ø3.2 ø4 ø6	ø3.2 ø4 ø6 ø8 ø10	ø4 ø6 ø8 ø10	ø6 ø8 ø10 ø12	ø10 ø12 ø16
	Inch size	— ø1/8" ø1/4" ø5/32"	ø1/8" ø5/32"	ø1/4" ø5/16" ø5/32"	— ø1/4" ø5/16" ø3/8"	ø3/8" ø3/8" ø1/2"
Cv values Critical pressure ratio	Free flow	0.2 0.3	0.4 0.6	0.6 1.0 1.3	1.5 1.6 1.7	2.5 4.4 4.8
	Controlled flow	0.2 0.3	0.4 0.7	0.8 0.9	1.3 2.1 2.4	3.3 4.4 4.9
b values Critical pressure ratio	Free flow	0.3	0.2 0.3	0.3	0.4	0.4 0.3
	Controlled flow	0.2 0.4	0.2 0.3	0.3	0.3	0.3

Note 1) 10-32 UNF has the same specification as M5.

Note 2) C values and b values for controlled flow direction are with the needle fully open, the values for free flow direction are with the needle fully closed.

Series AS

How to Order



Body size 1

Body size 2/3/4

Port size

M5	M5 x 0.8
U10/32	10-32 UNF

Applicable tubing O.D. (Note 1)

Metric size		Inch size	
02	ø2	01	ø1/8"
23	ø3.2 (Note 2)	03	ø5/32"
04	ø4	07	ø1/4"
06	ø6		

Note 1) For selecting applicable tubing O.D., refer to Series Variations (Features 1). For metric size and inch size types can be visually identified by color of the release button. Metric size: White Inch size: Orange
 Note 2) Use ø1/8" tubing.

AS 1 2 0 1 F - M5 - 06 A

AS 2 2 0 1 F - 01 - 06 S A

Body size

1	M5 x 0.8 10-32 UNF
2	1/8, 1/4
3	3/8
4	1/2

Thread type

NII	R
N	NPT

Port size

01	1/8
02	1/4
03	3/8
04	1/2

Seal method

NII	Without sealant
S	With sealant

Control type (Note 1)

0	Meter-out
1	Meter-in

Note) For meter-out and meter-in types can be visually identified by color of the handle. Meter-out: Gray Meter-in: Light blue

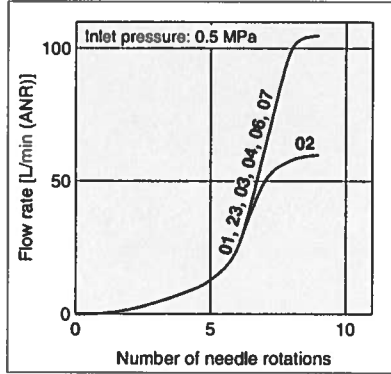
Applicable tubing O.D. (Note 1)

Metric size		Inch size	
23	ø3.2 (Note 2)	01	ø1/8"
04	ø4	03	ø5/32"
06	ø6	07	ø1/4"
08	ø8	09	ø5/16"
10	ø10	11	ø3/8"
12	ø12	13	ø1/2"
16	ø16		

Note 1) For selecting applicable tubing O.D., refer to Series Variations (Features 1). Note 2) Use ø1/8" tubing.

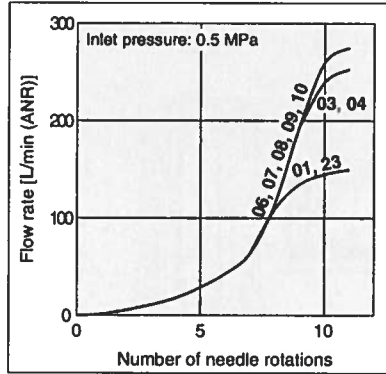
Needle Valve/Flow-rate Characteristics

AS1201F-M5, AS1211F-M5

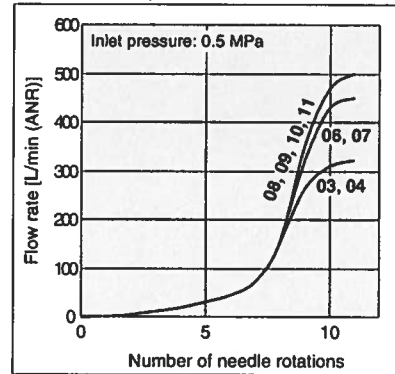


Note) -U10/32 has the same specification as M5.

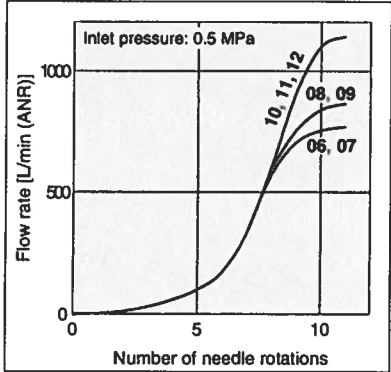
AS2201F-01, AS2211F-01



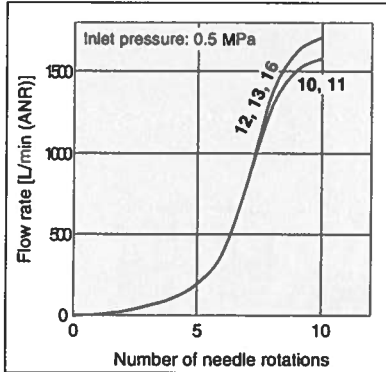
AS2201F-02, AS2211F-02



AS3201F-03, AS3211F-03



AS4201F-04, AS4211F-04

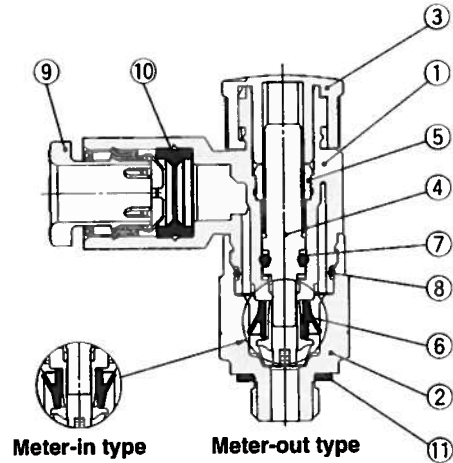


Note) The numbers above the flow-rate characteristic curves in the charts show the tubing diameter as defined by the product number.

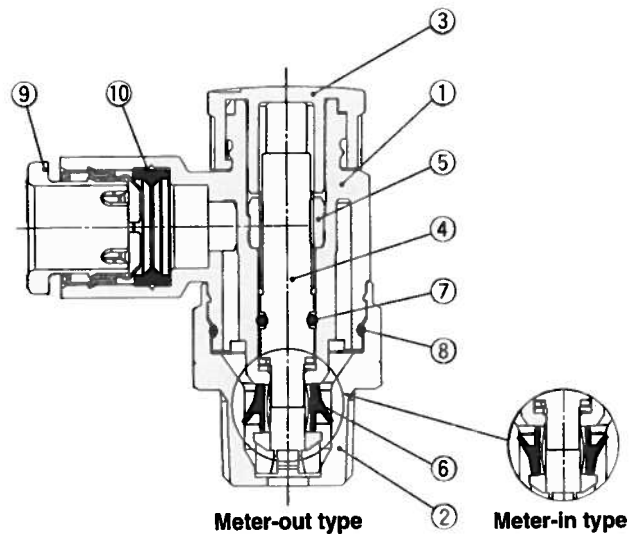
Series AS

Construction

Seal method: Gasket seal
Thread type: M5, 10-32 UNF



Seal method: Sealant
Thread type: R, NPT



Component Parts

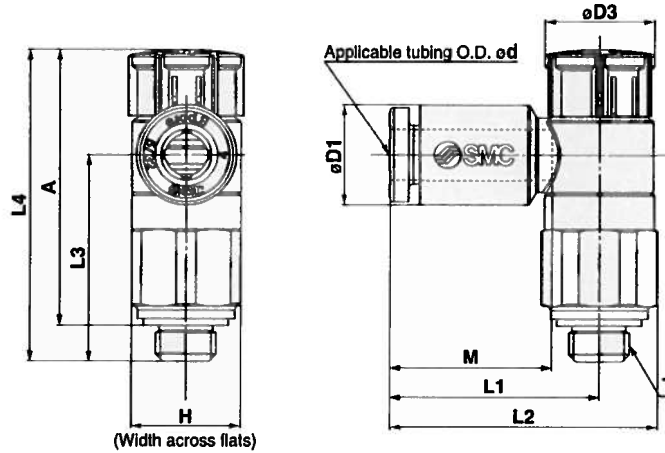
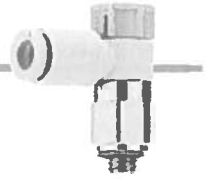
No.	Description	Material	Note
1	Body A	PBT	
2	Body B	Brass	Electroless nickel plated
3	Handle	POM	
4	Needle	PBT	
5	Needle guide	Steel wire	Zinc chromated
6	U-seal	HNBR	
7	O-ring	NBR	
8	O-ring	NBR	
9	Cassette	—	
10	Seal	NBR	
11	Gasket	NBR/Stainless steel	

Speed Controller with One-touch Fitting
Elbow Type **Series AS**

Thread type: M5, 10-32 UNF

Dimensions

Seal method: Gasket seal
Thread type: M5, 10-32 UNF



Metric size

Model	d	T	H	D1	D3	L1	L2	L3	L4 Note 1)		A Note 2)		M	Weight (g)			
									Unlock	Lock	Unlock	Lock					
AS12□1F-M5-02A	2	M5 x 0.8 10-32 UNF	9	5.8	9	15.8	20.6	16.9	26.5	25.4	23.5	22.4	11.9	5			
AS12□1F-U10/32-02A				7.2													
AS12□1F-M5-23A	3.2			8.2													
AS12□1F-U10/32-23A				10.4													
AS12□1F-M5-04A	4			18.6											23.4	16.5	6
AS12□1F-U10/32-04A	6																
AS12□1F-M5-06A	6																
AS12□1F-U10/32-06A																	

Note 1) Reference dimensions
Note 2) Reference dimensions after installation of thread

Inch size

Model	d	T	H	D1	D3	L1	L2	L3	L4 Note 1)		A Note 2)		M	Weight (g)			
									Unlock	Lock	Unlock	Lock					
AS12□1F-M5-01A	1/8"	M5 x 0.8 10-32 UNF	9	7.2	9	17.2	22	16.9	26.5	25.4	23.5	22.4	13.3	5			
AS12□1F-U10/32-01A				8.2													
AS12□1F-M5-03A	5/32"			11.2													
AS12□1F-U10/32-03A				18.6											23.4	16.5	6
AS12□1F-M5-07A	1/4"																
AS12□1F-U10/32-07A																	

Note 1) Reference dimensions
Note 2) Reference dimensions after installation of thread

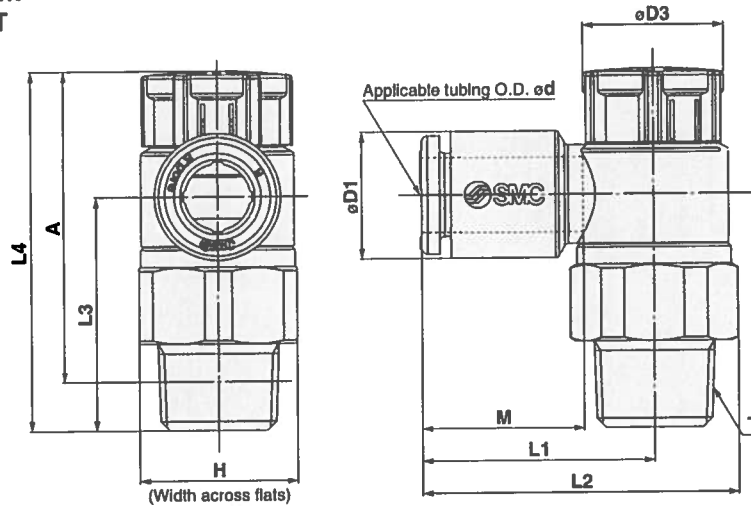
Series AS

Thread type: R, NPT

Dimensions

Seal method: Sealant

Thread type: R, NPT



Metric size

(mm)

Model	d	T	H	D1	D3	L1	L2	L3	L4 Note 1)		A Note 2)		M	Weight (g)
									Unlock	Lock	Unlock	Lock		
AS22□1F-01-23(S)A	3.2	1/8	13 (12.7)	7.2	11.6	19.1	26.1 (26)	19.1	30.6	29.2	27.5	26.1	13.3	9 (9)
AS22□1F-01-04(S)A	4			10.4										10 (9)
AS22□1F-01-06(S)A	6			13.2										14.2
AS22□1F-01-08(S)A	8			15.9										15.6
AS22□1F-01-10(S)A	10			25.3										32.3 (32.2)
AS22□1F-02-23(S)A	3.2	1/4	17 (17.5)	7.2	12.6	20.9	30 (30.3)	22.6	36.6	35	31.1	29.5	13.3	18 (19)
AS22□1F-02-04(S)A	4			8.2										19 (20)
AS22□1F-02-06(S)A	6			10.4										23.4
AS22□1F-02-08(S)A	8			13.2										33 (33.3)
AS22□1F-02-10(S)A	10			15.9										36 (36.3)
AS32□1F-03-06(S)A	6	3/8	19	10.4	15.6	21.8	32.1	28.7	42.3	40.7	37.1	35.5	13.3	31 (32)
AS32□1F-03-08(S)A	8			13.2										14.2
AS32□1F-03-10(S)A	10			15.9										15.6
AS32□1F-03-12(S)A	12			18.5										17
				29.7										40
AS42□1F-04-10(S)A	10	1/2	24 (23.8)	15.9	17.6	27.4	40.3 (40.2)	36.2	50.8	49.2	43.7	42.1	15.6	54 (53)
AS42□1F-04-12(S)A	12			18.5										17
AS42□1F-04-14(S)A	14			23.8										20.6
AS42□1F-04-16(S)A	16			34.8										47.7 (47.6)

Note 1) Reference dimensions Note 2) Reference dimensions after installation of thread Note 3) The values in () are the dimensions of NPT thread.

Inch size

(mm)

Model	d	T	H	D1	D3	L1	L2	L3	L4 Note 1)		A Note 2)		M	Weight (g)
									Unlock	Lock	Unlock	Lock		
AS22□1F-01-01(S)A	1/8"	1/8	13 (12.7)	7.2	11.6	19.1	26.1 (26)	19.1	30.6	29.2	27.5	26.1	13.3	9 (9)
AS22□1F-01-03(S)A	5/32"			11.2										10 (9)
AS22□1F-01-07(S)A	1/4"			13.2										14.2
AS22□1F-01-09(S)A	5/16"			15.5										15.6
AS22□1F-01-11(S)A	3/8"			23.8										32.3 (32.2)
AS22□1F-02-01(S)A	1/8"	1/4	17 (17.5)	7.2	12.6	20.9	30 (30.3)	22.6	36.6	35	31.1	29.5	13.3	18 (19)
AS22□1F-02-03(S)A	5/32"			8.2										19 (19)
AS22□1F-02-07(S)A	1/4"			11.2										23.4
AS22□1F-02-09(S)A	5/16"			13.2										33 (33.3)
AS22□1F-02-11(S)A	3/8"			15.5										36.3 (36.3)
AS32□1F-03-07(S)A	1/4"	3/8	19	11.2	15.6	21.8	32.1	28.7	42.3	40.7	37.1	35.5	13.3	31 (32)
AS32□1F-03-09(S)A	5/16"			13.2										14.2
AS32□1F-03-11(S)A	3/8"			15.5										15.6
AS32□1F-03-13(S)A	7/16"			18.5										17
				29.7										40
AS42□1F-04-11(S)A	3/8"	1/2	24 (23.8)	15.5	17.6	27.4	40.3 (40.2)	36.2	50.8	49.2	43.7	42.1	15.6	54 (53)
AS42□1F-04-13(S)A	7/16"			18.5										17
AS42□1F-04-15(S)A	9/16"			23.8										20.6

Note 1) Reference dimensions Note 2) Reference dimensions after installation of thread Note 3) The values in () are the dimensions of NPT thread.



Series AS Specific Product Precautions 1

Be sure to read this before handling.

Refer to back cover for Safety Instructions and "Handling Precautions for SMC Products" (M-E03-3) for Flow Control Equipment Precautions.

Design/Selection

Warning

1. Check the specifications.

The products in this catalog are designed to be used in compressed air systems (including vacuum) only.

If the products are used in an environment where pressure or temperature is out of the specified range, damage and/or malfunction may result. Do not use under such conditions. (Refer to the specifications.)

Please contact SMC when using a fluid other than compressed air (including vacuum).

We do not guarantee against any damage if the product is used outside of the specification range.

2. The products in this catalog are not designed for the use as stop valve with zero air leakage.

A certain amount of leakage is allowed in the product's specifications.

Tightening the needle to reduce leakage to zero may result in equipment damage.

3. Do not disassemble the product or make any modifications, including additional machining.

It may cause human injury and/or an accident.

4. The flow-rate characteristics for each product are representative values.

The flow-rate characteristics are characteristics of each individual product. Actual values may differ depending on the piping, circuitry, pressure conditions, etc.

5. Sonic conductance (C) and critical pressure ratio (b) values for products are representative values.

For controlled flow direction values the needle is fully open. For free flow direction values the needle is fully closed.

6. Check if that PTFE can be used in application.

PTFE powder (Polytetrafluoroethylene resin) is included in the seal material for piping taper thread of male thread type. Confirm that the use of it will not cause any adverse effect on the system.

Please contact SMC if the Material Safety Data Sheet (MSDS) is required.

Mounting

Warning

1. Operation manual

Install the products and operate them only after reading the operation manual carefully and understanding its contents. Also, keep the manual where it can be referred to as necessary.

2. Ensure sufficient space for maintenance activities.

When installing the products, allow access for maintenance.

3. Tighten threads with the proper tightening torque.

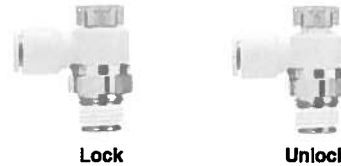
When installing the products, follow the listed proper torque.

Mounting

Warning

4. After pushing the handle down to lock, check it is locked.

It should not be possible to rotate the handle to the right or to the left. If the handle is pulled with force, it may break. Do not pull the handle with excessive force.



5. Check the degree of rotation of the needle valve.

The products in this catalog are retainer type so that the needle is not removed completely. Over rotation will cause damage.

6. Do not use tools such as pliers to rotate the handle.

It can cause idle rotation of the handle or damage.

7. Verify the air flow direction.

Mounting backwards is dangerous, because the speed adjustment needle will not work and the actuator may lurch suddenly.

8. Adjust the needle by opening the needle slowly after having closed it completely.

Loose needle valves may cause unexpected sudden actuator lurching.

When a needle valve is turned clockwise, it is closed and actuator speed decreases. When a needle valve is turned counterclockwise, it is open and actuator speed increases.

9. Do not apply excessive force or shock to the body or fittings with an impact tool.

It can cause damage or air leakage.

10. This product has One-touch fittings, refer to the Fittings & Tubing Precautions of Best Pneumatics No. 6.

11. Tubing O.D. ø2

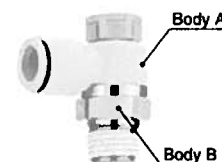
Tubing other than that from SMC cannot be used, because it may result in inability to connect the tube, air leakage after connecting the tube or disconnection of the tube.

12. To install/remove the flow control equipment, use an appropriate wrench to tighten/loosen at the supplied nut are on body B, and as close to the thread as possible.

Do not apply torque at other points as the product may be damaged. Rotate body A manually for positioning after installation.

13. Do not use body A for applications involving continuous rotation.

Body A and the fitting section may be damaged.





Series AS Specific Product Precautions 2

Be sure to read this before handling.
Refer to back cover for Safety Instructions and "Handling Precautions for SMC Products" (M-E03-3) for Flow Control Equipment Precautions.

Mounting

⚠ Caution

1. Tightening of M5 and 10-32 UNF threads

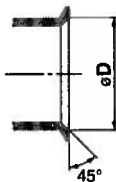
First, tighten it by hand, then give it an additional 1/6 turn to 1/4 turn with a wrench. A reference value for the tightening torque is 1 to 1.5 N·m.

Note) Excessive tightening may damage the thread portion or deform the gasket and cause air leakage.

If the screw is too shallowly screwed in, it may come loose or air may leak.

2. Chamfer dimension for female thread of the connection thread M5, 10-32 UNF

Confirming to ISO 16030 (air pressure fluid dynamics – connection – ports and stud ends), the chamfer dimensions shown below are recommended.



Female thread size	Chamfer dimension φD (Recommended value)
M 5	5.1 to 5.4
10-32 UNF	5.0 to 5.3

3. This product has a stopper for fully close in rotating direction. Excess torque may break the stopper. Table below shows the maximum allowable torque of the handle.

Body size	Maximum allowable adjusting torque (N·m)
M 5	0.05
1/8	0.07
1/4	0.16
3/8	0.2
1/2	0.4

Piping Threads with Sealant

⚠ Caution

1. The proper tightening torques of the fittings are as shown in the table below. As a guide, tighten by hand, then turn it two or three turns with a wrench. Check the dimensions of each product for the hexagon width across flats.

Connection thread size	Proper tightening torque (N·m)
NPT, R 1/8	7 to 9
NPT, R 1/4	12 to 14
NPT, R 3/8	22 to 24
NPT, R 1/2	28 to 30

2. If the fitting is tightened with excessive torque, a large amount of sealant will seep out. Remove the excess sealant.

3. Insufficient tightening may loosen the threads, or cause air leakage.

4. Reuse

- Normally, fittings with a sealant can be reused 2 to 3 times.
- To prevent air leakage through the sealant, remove any loose sealant stuck to the fitting by blowing air over the threaded portion.
- If the sealant no longer provides effective sealing, wrap sealing tape over the sealant before reusing. Do not use the sealant in any form other than a tape type.

5. Once the fitting has been tightened, backing it out to its original position often causes the sealant to become defective. Air leakage will occur.

6. R threaded studs with Rc threaded ports and use NPT threaded studs with NPT threaded ports.

Piping

⚠ Caution

1. This product has One-touch fittings, refer to the Fittings & Tubing Precautions of Best Pneumatics No. 6.

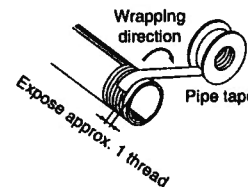
2. Preparation before piping

Before piping is connected, it should be thoroughly blown out with air (flushing) or washed to remove chips, cutting oil and other debris from inside the pipe.

3. Wrapping of pipe tape

When screwing together pipes and fittings, etc., be certain that chips from the pipe threads and sealing material do not get inside the pipe.

Also, when the pipe tape is used, leave approx. 1 thread ridges exposed at the end of the threads.





Safety Instructions

These safety instructions are intended to prevent hazardous situations and/or equipment damage. These instructions indicate the level of potential hazard with the labels of "Caution," "Warning" or "Danger." They are all important notes for safety and must be followed in addition to International Standards (ISO/IEC)*1), and other safety regulations.



Caution:

Caution indicates a hazard with a low level of risk which, if not avoided, could result in minor or moderate injury.



Warning:

Warning indicates a hazard with a medium level of risk which, if not avoided, could result in death or serious injury.



Danger:

Danger indicates a hazard with a high level of risk which, if not avoided, will result in death or serious injury.

- *1) ISO 4414: Pneumatic fluid power – General rules relating to systems.
- ISO 4413: Hydraulic fluid power – General rules relating to systems.
- IEC 60204-1: Safety of machinery – Electrical equipment of machines. (Part 1: General requirements)
- ISO 10218-1: Manipulating industrial robots – Safety. etc.

Warning

1. **The compatibility of the product is the responsibility of the person who designs the equipment or decides its specifications.**
Since the product specified here is used under various operating conditions, its compatibility with specific equipment must be decided by the person who designs the equipment or decides its specifications based on necessary analysis and test results. The expected performance and safety assurance of the equipment will be the responsibility of the person who has determined its compatibility with the product. This person should also continuously review all specifications of the product referring to its latest catalog information, with a view to giving due consideration to any possibility of equipment failure when configuring the equipment.
2. **Only personnel with appropriate training should operate machinery and equipment.**
The product specified here may become unsafe if handled incorrectly. The assembly, operation and maintenance of machines or equipment including our products must be performed by an operator who is appropriately trained and experienced.
3. **Do not service or attempt to remove product and machinery/equipment until safety is confirmed.**
 1. The inspection and maintenance of machinery/equipment should only be performed after measures to prevent falling or runaway of the driven objects have been confirmed.
 2. When the product is to be removed, confirm that the safety measures as mentioned above are implemented and the power from any appropriate source is cut, and read and understand the specific product precautions of all relevant products carefully.
 3. Before machinery/equipment is restarted, take measures to prevent unexpected operation and malfunction.
4. **Contact SMC beforehand and take special consideration of safety measures if the product is to be used in any of the following conditions.**
 1. Conditions and environments outside of the given specifications, or use outdoors or in a place exposed to direct sunlight.
 2. Installation on equipment in conjunction with atomic energy, railways, air navigation, space, shipping, vehicles, military, medical treatment, combustion and recreation, or equipment in contact with food and beverages, emergency stop circuits, clutch and brake circuits in press applications, safety equipment or other applications unsuitable for the standard specifications described in the product catalog.
 3. An application which could have negative effects on people, property, or animals requiring special safety analysis.
 4. Use in an interlock circuit, which requires the provision of double interlock for possible failure by using a mechanical protective function, and periodical checks to confirm proper operation.

Caution

1. **The product is provided for use in manufacturing industries.**
The product herein described is basically provided for peaceful use in manufacturing industries.
If considering using the product in other industries, consult SMC beforehand and exchange specifications or a contract if necessary.
If anything is unclear, contact your nearest sales branch.

Limited warranty and Disclaimer/ Compliance Requirements

The product used is subject to the following "Limited warranty and Disclaimer" and "Compliance Requirements".
Read and accept them before using the product.

Limited warranty and Disclaimer

1. The warranty period of the product is 1 year in service or 1.5 years after the product is delivered.*2)
Also, the product may have specified durability, running distance or replacement parts. Please consult your nearest sales branch.
2. For any failure or damage reported within the warranty period which is clearly our responsibility, a replacement product or necessary parts will be provided.
This limited warranty applies only to our product independently, and not to any other damage incurred due to the failure of the product.
3. Prior to using SMC products, please read and understand the warranty terms and disclaimers noted in the specified catalog for the particular products.
*2) Vacuum pads are excluded from this 1 year warranty.
A vacuum pad is a consumable part, so it is warranted for 1 year after it is delivered.
Also, even within the warranty period, the wear of a product due to the use of the vacuum pad or failure due to the deterioration of rubber material are not covered by the limited warranty.

Compliance Requirements

1. The use of SMC products with production equipment for the manufacture of weapons of mass destruction (WMD) or any other weapon is strictly prohibited.
2. The exports of SMC products or technology from one country to another are governed by the relevant security laws and regulations of the countries involved in the transaction. Prior to the shipment of a SMC product to another country, assure that all local rules governing that export are known and followed.



Safety Instructions

Be sure to read "Handling Precautions for SMC Products" (M-E03-3) before using.

SMC Corporation

Akihabara UDX 15F,
4-14-1, Sotokanda, Chiyoda-ku, Tokyo 101-0021, JAPAN
Phone: 03-5207-8249 Fax: 03-5298-5362
<http://www.smcworld.com>
© 2012 SMC Corporation All Rights Reserved

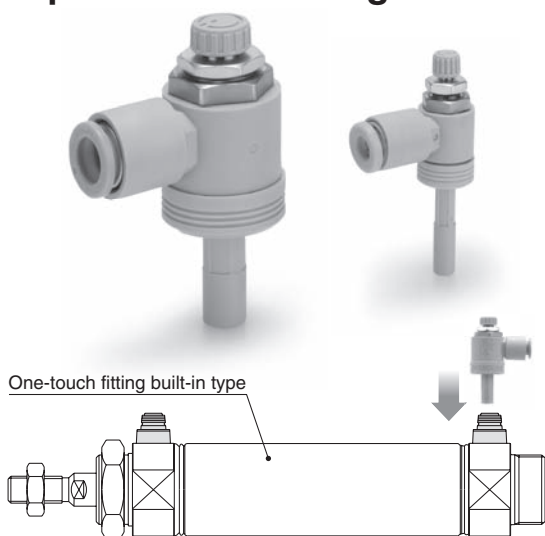
Specifications are subject to change without prior notice and any obligation on the part of the manufacturer.

D-SZ

1st printing QV printing QV 8150SZ Printed in Japan.

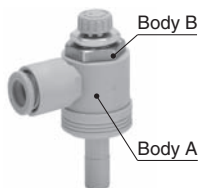
Speed Controller with One-touch Fitting Plug-in Type Series AS□□□□P

- Can be mounted directly to the One-touch fitting!
- No need for tools, reducing time required for mounting.



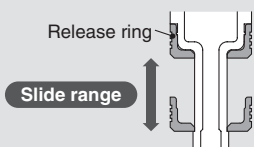
Warning

1. Do not use the body A in a continuously rotating place. It may damage the body A or fittings.

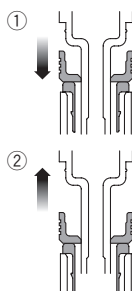


Caution Release from One-touch fitting

The release ring slides up and down and does not come off from the body A with the drop prevention function.



- ① Slide down the release ring, and push the release bushing to the end.
- ② Bring up the body, while holding it down.
- ③ Take the finger off the release ring and remove the speed controller from the One-touch fitting.



Model

Model		Rod and applicable tubing O.D.			
Meter-out type	Meter-in type	ø4	ø6	ø8	ø10
AS1000P-04-04	AS1010P-04-04	●	—	—	—
AS2000P-04-04	AS2010P-04-04	●	—	—	—
AS2000P-06-06	AS2010P-06-06	—	●	—	—
AS2500P-06-06	AS2510P-06-06	—	●	—	—
AS3000P-08-08	AS3010P-08-08	—	—	●	—
AS3000P-10-10	AS3010P-10-10	—	—	—	●

<Visual identification between meter-out and meter-in types>
 The lock nut provides identification. The lock nut of the meter-out type is zinc chromated (The round lock nut is electroless nickel plated), and the one of the meter-in type is black zinc chromated.

Specifications

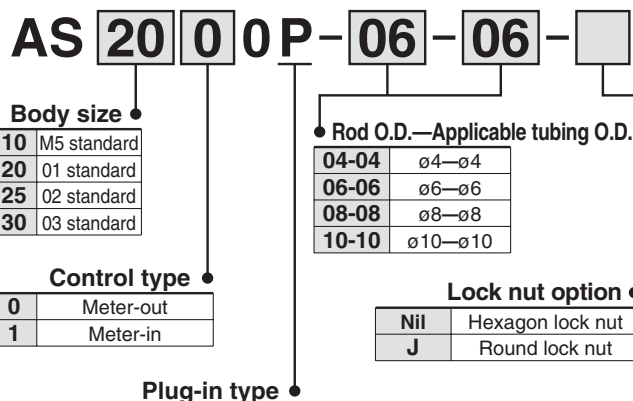
Fluid	Air
Proof pressure	1.5 MPa
Max. operating pressure	1 MPa
Min. operating pressure	0.1 MPa
Ambient and fluid temperature	-5 to 60°C (No freezing)
Applicable tubing material	Nylon, Soft nylon, Polyurethane

Flow Rate and Sonic Conductance

Model		AS10□0P	AS20□0P	AS25□0P	AS30□0P		
Rod and applicable tubing O.D. (Metric size)		ø4	ø4	ø6	ø6	ø8	ø10
Controlled flow	Flow rate [L/min (ANR)]	100	130	230	290	660	920
	Sonic conductance [dm ³ /(s·bar)]	0.28	0.36	0.64	0.8	1.8	2.6
Critical pressure ratio	Controlled flow	0.2	0.2	0.2	0.2	0.2	0.2
	Free flow	0.25	0.25	0.25	0.25	0.25	0.25

Note) Flow rate values are measured at 0.5 MPa and 20°C.

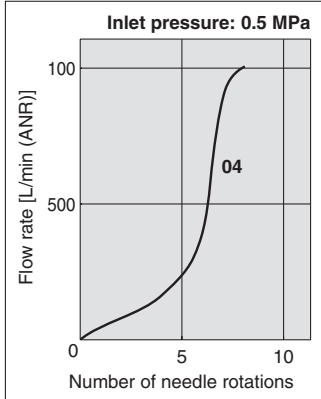
How to Order



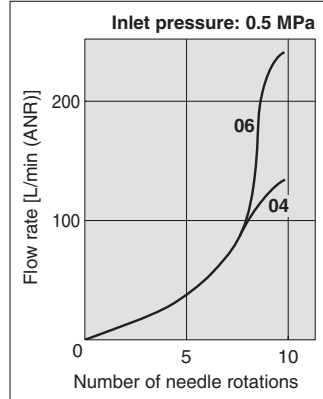
Series AS□□□□P

Needle Valve/Flow-rate Characteristics

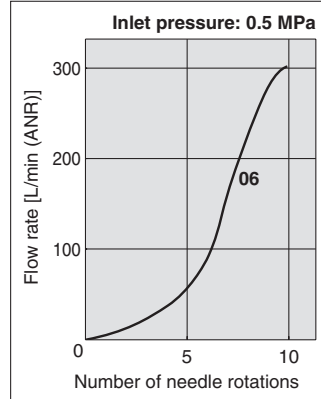
AS10□0P-04-04



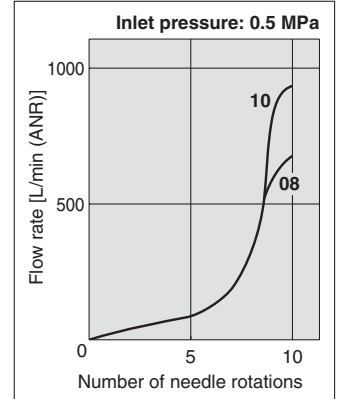
AS20□0P-□-□



AS25□0P-06-06



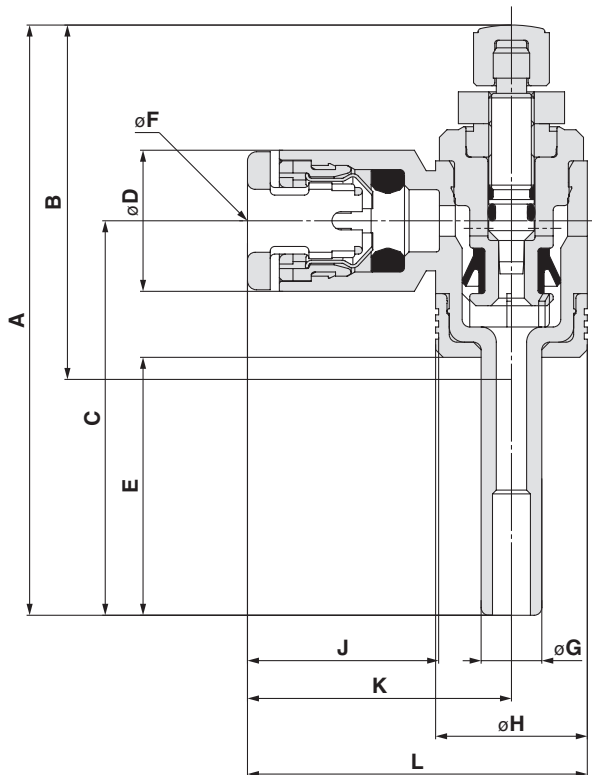
AS30□0P-□-□



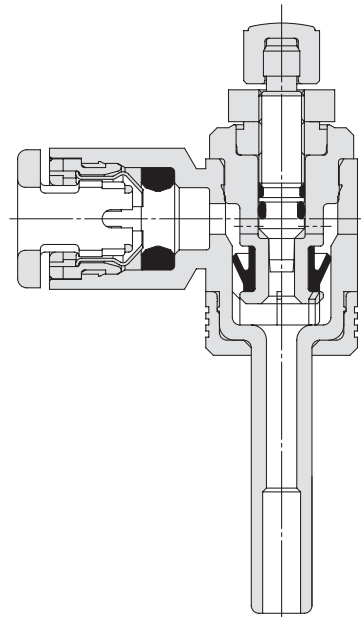
Note) The numbers above the flow-rate characteristic curves in the charts show the tubing diameter as defined by the product number.

Dimensions

Meter-out type



Meter-in type



Model	A		B		C	øD	E	øF	øG	øH	J	K	L
	MIN.	MAX.	MIN.	MAX.									
AS10□0P-04-04	38.9	41.7	23.9	26.7	26	9.3	17	4	4	10	12.7	17.4	22.4
AS20□0P-04-04	46.4	51.4	31.4	36.4	30	9.3	17.1	4	4	13.6	12.7	18.9	25.7
AS20□0P-06-06	47.3	52.3	31.3	36.3	30	11.6	18	6	6	13.6	13.5	19.9	26.7
AS25□0P-06-06	49.6	54.6	33.6	38.6	32	12.8	18	6	6	17	16.8	24.1	32.6
AS30□0P-08-08	55.5	60.5	37	42	36	15.2	19	8	8	22	18.5	27	38
AS30□0P-10-10	58.5	63.5	37.5	42.5	39	18.5	22	10	10	22	21	30.5	41.5

Speed Controller with One-touch Fitting/Elbow Type

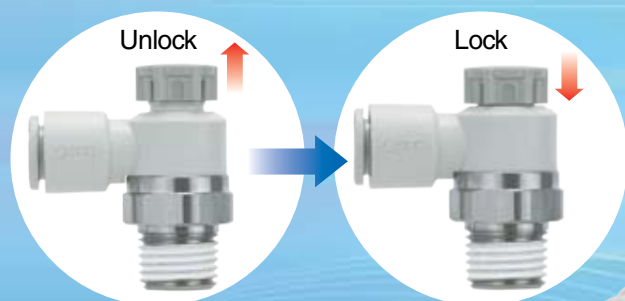
New
RoHS

Reduces labor time!

Easy to use

Push-lock type

- Easy to lock



Larger handle

Body size	øD (mm)
1	9
2	11.6 (Port size 1/8)
	12.6 (Port size 1/4)
3	15.6
4	17.6



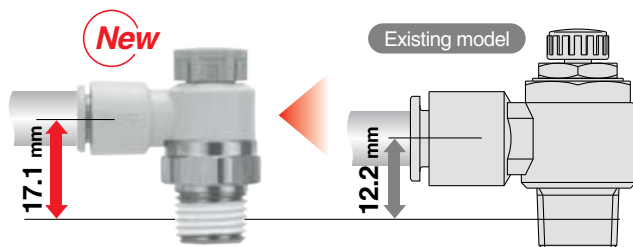
Improved tube insertion/removal

Insertion force: **Max. 30% (1.8lbf (8N)) reduction**

Removal force: **Max. 20% (1.1 lbf (5 N)) reduction***

* Tube pulling out strength is ensured to be equivalent to existing model.

More space beneath the tube. Easier installation/removal of the tube.





AS22□1F-02-□SA

AS22□1F-02-□

Series AS

SMC
CAT.NAS20-220A

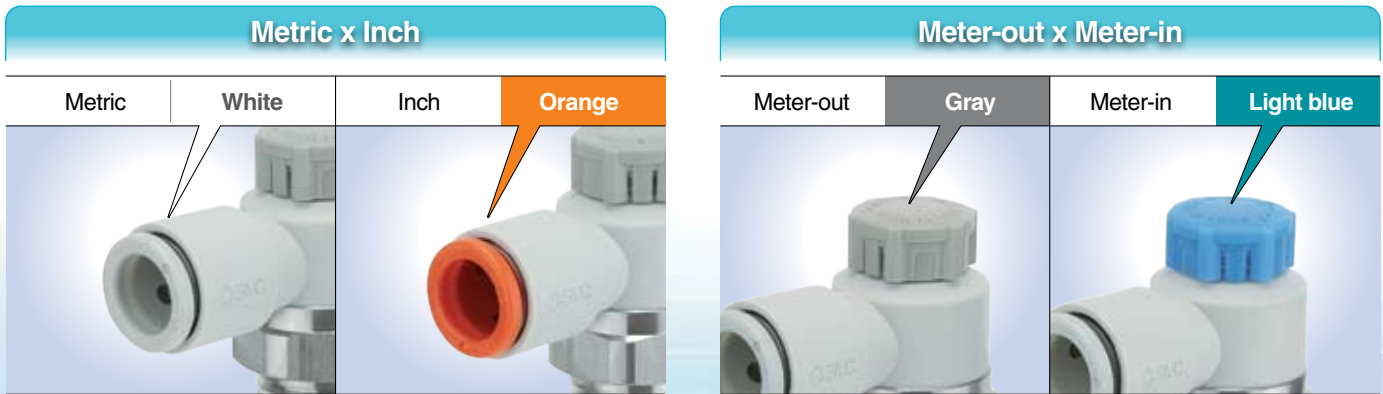
Series Variations

Body size	Port size	Seal method	Applicable tubing O.D.												Applicable tubing material
			Metric size						Inch size						
			2	3.2	4	6	8	10	12	16	1/8"	5/32"	1/4"	5/16"	
	1	M5 x 0.8	●												Nylon (Series T, TIA) Soft nylon (Series TS, TLS) Polyurethane (Series T, TIU)
		10-32 UNF	●												
	2	1/8	●												
		1/4	●												
	3	3/8	●												
		1/2	●												
4		● ● ● New ● ● ●													

*1 Non-sealant type can be selected as a standard option.

⊙ Electroless nickel plated type is standard.

Easy identification of product type



Speed Controller with One-touch Fitting Elbow Type Series AS

RoHS

Model

Model	Port size	Seal method	Applicable tubing O.D.															
			Metric size						Inch size									
			2 Note 2)	3.2	4	6	8	10	12	16	1/8"	5/32"	1/4"	5/16"	3/8"	1/2"		
AS12□1F-M5	M5 x 0.8	Gasket seal	●	●	●	●							●	●	●			
AS12□1F-U10/32	10-32 UNF		●	●	●	●							●	●	●			
AS22□1F-□01	R NPT	1/8		●	●	●	●	●					●	●	●	●		
AS22□1F-□02		1/4		●	●	●	●	●					●	●	●	●	●	
AS32□1F-□03		3/8				●	●	●	●						●	●	●	
AS42□1F-□04		1/2							●	●	●						●	●

Note 1) Non-sealant type can be selected as a standard option.

Note 2) Only polyurethane tubing is applicable for ø2.

Specifications

Flow Direction Symbols on Body

	Meter-out type	Meter-in type
Indication symbol		

Fluid	Air
Proof pressure	218 psi (1.5 MPa)
Max. operating pressure	145 psi (1 MPa)
Min. operating pressure	14.5 psi (0.1 MPa)
Ambient and fluid temperature	23 to 140°F (-5 to 60°C) (No freezing)
Applicable tubing material	Nylon, Soft nylon, Polyurethane Note)

Note) Use caution at the max. operating pressure when using soft nylon or polyurethane tubing.
(Refer to Best Pneumatics No. 6 for details.)

Flow Rate and Sonic Conductance

⚠ Caution

Be sure to read before handling. Refer to back cover for Safety Instructions and "Handling Precautions for SMC Products" (M-E03-3) for Flow Control Equipment Precautions.

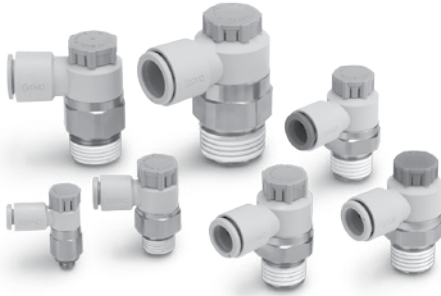
Model	AS12□1F-M5	AS22□1F-01	AS22□1F-02	AS32□1F-03	AS42□1F-04									
Tubing O.D.	Metric size	ø2 ø3.2 ø4 ø6	ø3.2 ø4	ø6 ø8 ø10	ø4 ø6 ø8 ø10	ø6 ø8 ø10 ø12	ø10 ø12	ø10 ø12	ø10 ø12	ø10 ø12	ø10 ø12	ø10 ø12	ø10 ø12	ø10 ø12
	Inch size	— ø1/8" ø1/4" ø5/32"	ø1/8" ø5/32"	ø1/4" ø5/16"	ø5/32" — ø1/4" ø5/16" ø3/8"	ø1/4" ø5/16" ø3/8"	ø1/4" ø5/16"	ø3/8"	ø3/8"	ø3/8"	ø3/8"	ø3/8"	ø3/8"	ø1/2"
C values: Sonic conductance dm ³ /(s·bar)	Free flow	0.2	0.3	0.4	0.6	0.6	1.0	1.3	1.5	1.6	1.7	2.5	4.4	4.8
	Controlled flow	0.2	0.3	0.4	0.7	0.8	0.9	1.3	2.1	2.4	3.3	4.4	4.9	
b values: Critical pressure ratio	Free flow	0.3		0.2		0.3	0.3	0.4		0.4		0.3	0.3	
	Controlled flow	0.2	0.4	0.2		0.3	0.3			0.3			0.3	

Note 1) 10-32 UNF has the same specification as M5.

Note 2) C values and b values for controlled flow direction are with the needle fully open, the values for free flow direction are with the needle fully closed.

Series AS

How to Order



Port size

M5	M5 x 0.8
U10/32	10-32 UNF

Applicable tubing O.D. ^{Note 1)}

Metric size		Inch size	
02	ø2	01	ø1/8"
23	ø3.2 ^{Note 2)}	03	ø5/32"
04	ø4	07	ø1/4"
06	ø6		

Note 1) For selecting applicable tubing O.D., refer to Series Variations (Features 1).
 For metric size and inch size types can be visually identified by color of the release button.
 Metric size: White
 Inch size: Orange
 Note 2) Use ø1/8" tubing.

Body size 1

AS 1 2 0 1 F - M5 - 06 A

Body size 2/3/4

AS 2 2 0 1 F - 01 - 06 S A

Body size

1	M5 x 0.8 10-32 UNF
2	1/8, 1/4
3	3/8
4	1/2

Thread type

Nil	R
N	NPT

Port size

01	1/8
02	1/4
03	3/8
04	1/2

Push-lock type

Seal method

Nil	Without sealant
S	With sealant

Elbow

Control type ^{Note)}

0	Meter-out
1	Meter-in

Note) For meter-out and meter-in types can be visually identified by color of the handle.
 Meter-out: Gray
 Meter-in: Light blue

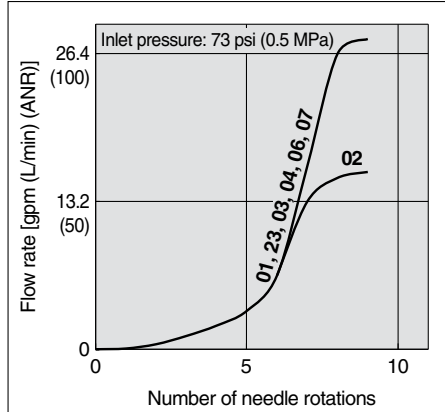
Applicable tubing O.D. ^{Note 1)}

Metric size		Inch size	
23	ø3.2 ^{Note 2)}	01	ø1/8"
04	ø4	03	ø5/32"
06	ø6	07	ø1/4"
08	ø8	09	ø5/16"
10	ø10	11	ø3/8"
12	ø12	13	ø1/2"
16	ø16		

Note 1) For selecting applicable tubing O.D., refer to Series Variations (Features 1).
 Note 2) Use ø1/8" tubing.

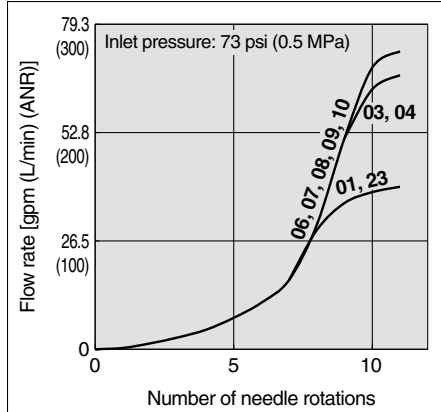
Needle Valve/Flow-rate Characteristics

AS1201F-M5, AS1211F-M5

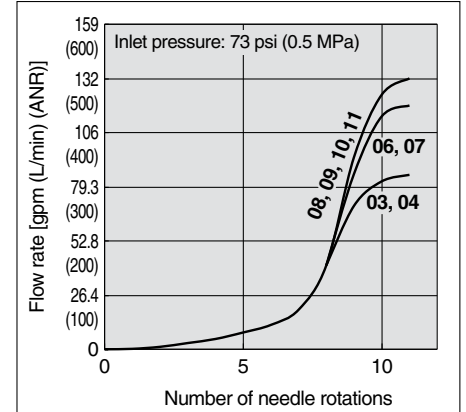


Note) -U10/32 has the same specification as M5.

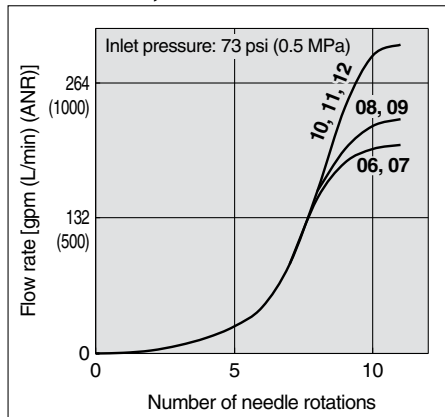
AS2201F-01, AS2211F-01



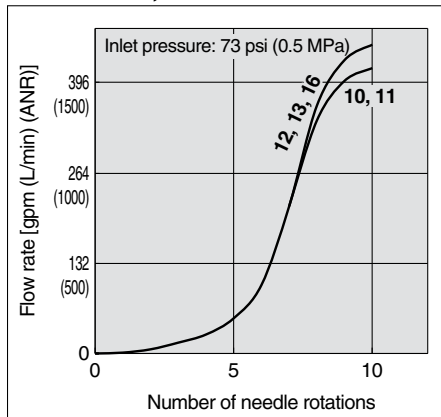
AS2201F-02, AS2211F-02



AS3201F-03, AS3211F-03



AS4201F-04, AS4211F-04

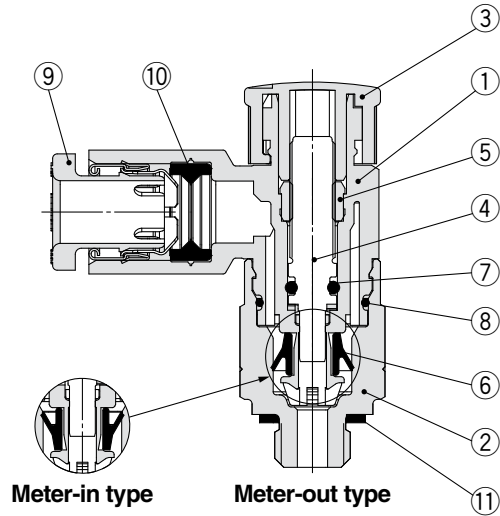


Note) The numbers above the flow-rate characteristic curves in the charts show the tubing diameter as defined by the product number.

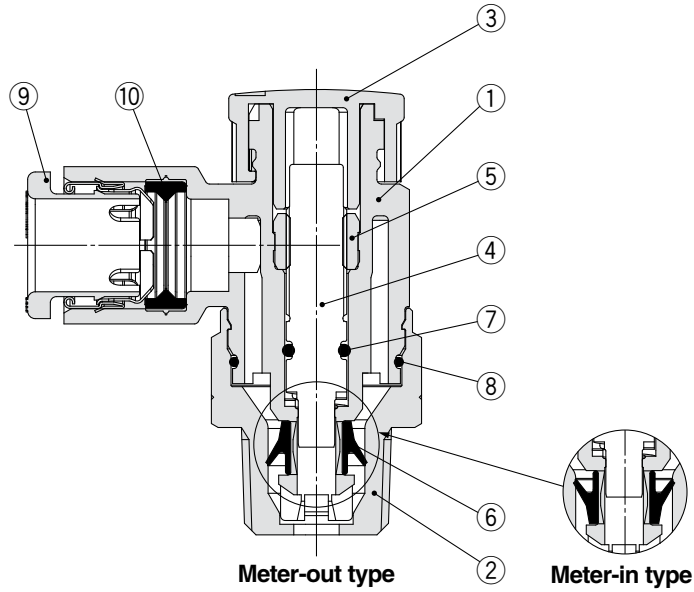
Series AS

Construction

Seal method: Gasket seal
Thread type: M5, 10-32 UNF



Seal method: Sealant
Thread type: R, NPT



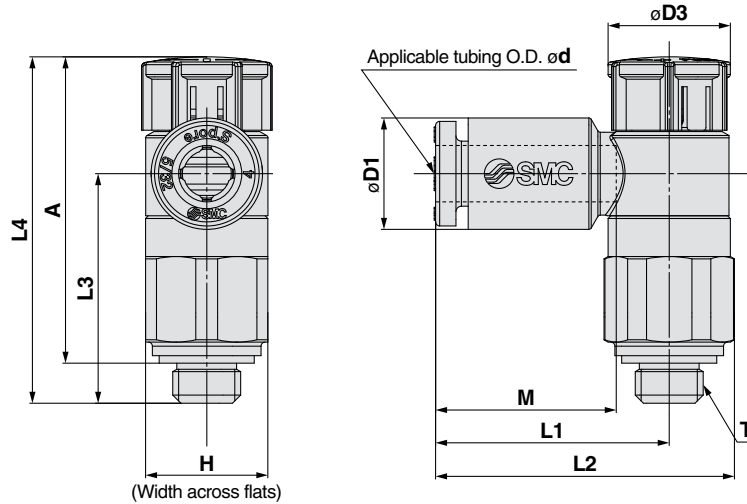
Component Parts

No.	Description	Material	Note
1	Body A	PBT	
2	Body B	Brass	Electroless nickel plated
3	Handle	POM	
4	Needle	PBT	
5	Needle guide	Steel wire	Zinc chromated
6	U-seal	HNBR	
7	O-ring	NBR	
8	O-ring	NBR	
9	Cassette	—	
10	Seal	NBR	
11	Gasket	NBR/Stainless steel	



Dimensions

Seal method: Gasket seal
Thread type: M5, 10-32 UNF



Metric size

Model	d	T	H	D1	D3	L1	L2	L3	L4 ^{Note 1)}		A ^{Note 2)}		M	Weight (g)									
									Unlock	Lock	Unlock	Lock											
AS12□1F-M5-02A	2	M5 x 0.8 10-32 UNF	9	5.8	9	15.8	20.6	16.9	26.5	25.4	23.5	22.4	13.3	5									
AS12□1F-U10/32-02A																							
AS12□1F-M5-23A	3.2			7.2																			
AS12□1F-U10/32-23A																							
AS12□1F-M5-04A	4			8.2																			
AS12□1F-U10/32-04A																							
AS12□1F-M5-06A	6	10.4				18.6	23.4	16.5						6									
AS12□1F-U10/32-06A																							

Note 1) Reference dimensions

Note 2) Reference dimensions after installation of thread

Inch size

Model	d	T	H	D1	D3	L1	L2	L3	L4 ^{Note 1)}		A ^{Note 2)}		M	Weight (g)												
									Unlock	Lock	Unlock	Lock														
AS12□1F-M5-01A	1/8"	M5 x 0.8 10-32 UNF	9	7.2	9	17.2	22	16.9	26.5	25.4	23.5	22.4	13.3	5												
AS12□1F-U10/32-01A																										
AS12□1F-M5-03A	5/32"			8.2																						
AS12□1F-U10/32-03A																										
AS12□1F-M5-07A	1/4"			11.2														18.6	23.4	16.5						6
AS12□1F-U10/32-07A																										

Note 1) Reference dimensions

Note 2) Reference dimensions after installation of thread

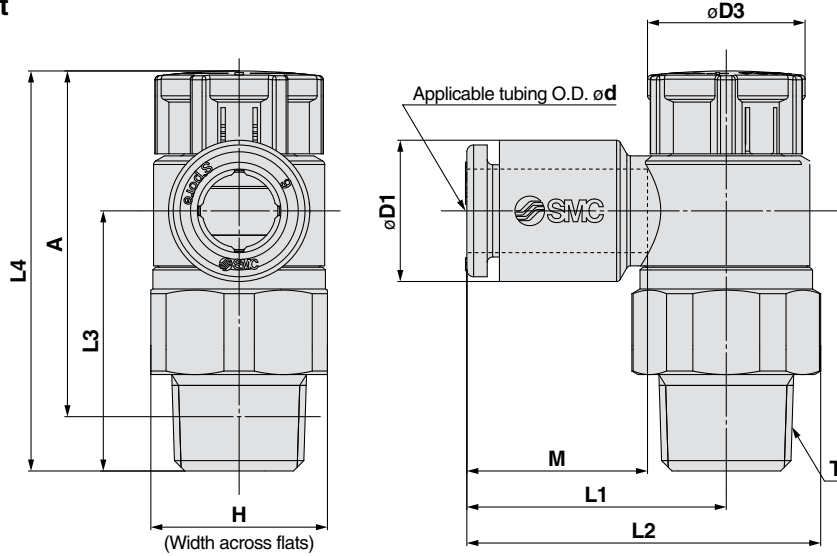
Series AS

Thread type: R, NPT

Dimensions

Seal method: Sealant

Thread type: R, NPT



Metric size

(mm)

Model	d	T	H	D1	D3	L1	L2	L3	L4 Note 1)		A Note 2)		M	Weight (g)			
									Unlock	Lock	Unlock	Lock					
AS22□1F-01-23(S)A	3.2	1/8	13 (12.7)	7.2	11.6	19.1	26.1 (26)	19.1	30.6	29.2	27.5	26.1	13.3	9 (9)			
AS22□1F-01-04(S)A	4			10.4										22.4	29.4 (29.3)	14.2	11 (10)
AS22□1F-01-06(S)A	6			13.2										25.3	32.3 (32.2)	15.6	12 (11)
AS22□1F-01-08(S)A	8			15.9													
AS22□1F-01-10(S)A	10			15.9													
AS22□1F-02-23(S)A	3.2	1/4	17 (17.5)	7.2	12.6	20.9	30 (30.3)	22.6	36.6	35	31.1	29.5	13.3	18 (19)			
AS22□1F-02-04(S)A	4			10.4										23.4	32.5 (32.8)	14.2	19 (20)
AS22□1F-02-06(S)A	6			13.2										23.9	33 (33.3)	15.6	20 (21)
AS22□1F-02-08(S)A	8			15.9										26.9	36 (36.3)		
AS22□1F-02-10(S)A	10			15.9													
AS32□1F-03-06(S)A	6	3/8	19	10.4	15.6	21.8	32.1	28.7	42.3	40.7	37.1	35.5	13.3	31 (32)			
AS32□1F-03-08(S)A	8			13.2										22.7	33	14.2	
AS32□1F-03-10(S)A	10			15.9										26.7	37	15.6	32 (33)
AS32□1F-03-12(S)A	12			18.5										29.7	40	17	34 (35)
AS42□1F-04-10(S)A	10	1/2	24 (23.8)	15.9	17.6	27.4	40.3 (40.2)	36.2	50.8	49.2	43.7	42.1	15.6	54 (53)			
AS42□1F-04-12(S)A	12			18.5										30.8	43.7 (43.6)	17	56 (55)
AS42□1F-04-16(S)A	16			23.8										34.8	47.7 (47.6)	20.6	60 (59)

Note 1) Reference dimensions Note 2) Reference dimensions after installation of thread Note 3) The values in () are the dimensions of NPT thread.

Inch size

(mm)

Model	d	T	H	D1	D3	L1	L2	L3	L4 Note 1)		A Note 2)		M	Weight (g)			
									Unlock	Lock	Unlock	Lock					
AS22□1F-01-01(S)A	1/8"	1/8	13 (12.7)	7.2	11.6	19.1	26.1 (26)	19.1	30.6	29.2	27.5	26.1	13.3	9 (9)			
AS22□1F-01-03(S)A	5/32"			11.2										20.8	27.8 (27.7)	10 (9)	
AS22□1F-01-07(S)A	1/4"			13.2										22.4	29.4 (29.3)	14.2	11 (10)
AS22□1F-01-09(S)A	5/16"			15.5										26.4	35.5 (35.8)	15.6	20 (21)
AS22□1F-02-01(S)A	1/8"	1/4	17 (17.5)	7.2	12.6	20.9	30 (30.3)	22.6	36.6	35	31.1	29.5	13.3	18 (19)			
AS22□1F-02-03(S)A	5/32"			11.2										23.4	32.5 (32.8)	14.2	19 (19)
AS22□1F-02-07(S)A	1/4"			13.2										23.9	33 (33.3)	15.6	20 (21)
AS22□1F-02-09(S)A	5/16"			15.5										26.4	35.5 (35.8)	15.6	20 (21)
AS22□1F-02-11(S)A	3/8"																
AS32□1F-03-07(S)A	1/4"	3/8	19	11.2	15.6	21.8	32.1	28.7	42.3	40.7	37.1	35.5	13.3	31 (32)			
AS32□1F-03-09(S)A	5/16"			13.2										22.7	33	14.2	
AS32□1F-03-11(S)A	3/8"			15.5										26.7	37	15.6	32 (33)
AS42□1F-04-11(S)A	3/8"	1/2	24 (23.8)	15.5	17.6	27.4	40.3 (40.2)	36.2	50.8	49.2	43.7	42.1	15.6	54 (53)			
AS42□1F-04-13(S)A	1/2"			19.3										30.9	43.8 (43.7)	17	56 (55)

Note 1) Reference dimensions Note 2) Reference dimensions after installation of thread Note 3) The values in () are the dimensions of NPT thread.



Series AS Specific Product Precautions 1

Be sure to read this before handling.
Refer to back cover for Safety Instructions and "Handling Precautions for SMC Products" (M-E03-3) for Flow Control Equipment Precautions.

Design/Selection

⚠ Warning

1. Check the specifications.

The products in this catalog are designed to be used in compressed air systems (including vacuum) only.

If the products are used in an environment where pressure or temperature is out of the specified range, damage and/or malfunction may result. Do not use under such conditions. (Refer to the specifications.)

Please contact SMC when using a fluid other than compressed air (including vacuum).

We do not guarantee against any damage if the product is used outside of the specification range.

2. The products in this catalog are not designed for the use as stop valve with zero air leakage.

A certain amount of leakage is allowed in the product's specifications.

Tightening the needle to reduce leakage to zero may result in equipment damage.

3. Do not disassemble the product or make any modifications, including additional machining.

It may cause human injury and/or an accident.

4. The flow-rate characteristics for each product are representative values.

The flow-rate characteristics are characteristics of each individual product. Actual values may differ depending on the piping, circuitry, pressure conditions, etc.

5. Sonic conductance (C) and critical pressure ratio (b) values for products are representative values.

For controlled flow direction values the needle is fully open. For free flow direction values the needle is fully closed.

6. Check if that PTFE can be used in application.

PTFE powder (Polytetrafluoroethylene resin) is included in the seal material for piping taper thread of male thread type. Confirm that the use of it will not cause any adverse effect on the system.

Please contact SMC if the Material Safety Data Sheet (MSDS) is required.

Mounting

⚠ Warning

1. Operation manual

Install the products and operate them only after reading the operation manual carefully and understanding its contents. Also, keep the manual where it can be referred to as necessary.

2. Ensure sufficient space for maintenance activities.

When installing the products, allow access for maintenance.

3. Tighten threads with the proper tightening torque.

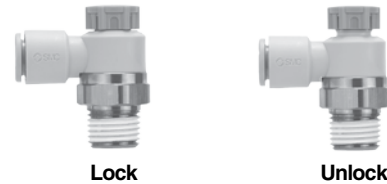
When installing the products, follow the listed proper torque.

Mounting

⚠ Warning

4. After pushing the handle down to lock, check it is locked.

It should not be possible to rotate the handle to the right or to the left. If the handle is pulled with force, it may break. Do not pull the handle with excessive force.



5. Check the degree of rotation of the needle valve.

The products in this catalog are retainer type so that the needle is not removed completely. Over rotation will cause damage.

6. Do not use tools such as pliers to rotate the handle.

It can cause idle rotation of the handle or damage.

7. Verify the air flow direction.

Mounting backwards is dangerous, because the speed adjustment needle will not work and the actuator may lurch suddenly.

8. Adjust the needle by opening the needle slowly after having closed it completely.

Loose needle valves may cause unexpected sudden actuator lurching.

When a needle valve is turned clockwise, it is closed and actuator speed decreases. When a needle valve is turned counterclockwise, it is open and actuator speed increases.

9. Do not apply excessive force or shock to the body or fittings with an impact tool.

It can cause damage or air leakage.

10. This product has One-touch fittings, refer to the Fittings & Tubing Precautions of Best Pneumatics No. 6.

11. Tubing O.D. $\phi 2$

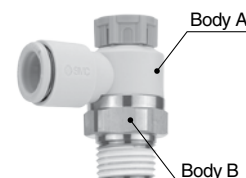
Tubing other than that from SMC cannot be used, because it may result in inability to connect the tube, air leakage after connecting the tube or disconnection of the tube.

12. To install/remove the flow control equipment, use an appropriate wrench to tighten/loosen at the supplied nut are on body B, and as close to the thread as possible.

Do not apply torque at other points as the product may be damaged. Rotate body A manually for positioning after installation.

13. Do not use body A for applications involving continuous rotation.

Body A and the fitting section may be damaged.





Series AS Specific Product Precautions 2

Be sure to read this before handling.
Refer to back cover for Safety Instructions and “Handling Precautions for SMC Products” (M-E03-3) for Flow Control Equipment Precautions.

Mounting

⚠ Caution

1. Tightening of M5 and 10-32 UNF threads

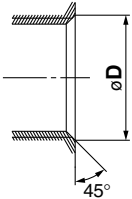
First, tighten it by hand, then give it an additional 1/6 turn to 1/4 turn with a wrench. A reference value for the tightening torque is 1 to 1.5 N·m.

Note) Excessive tightening may damage the thread portion or deform the gasket and cause air leakage.

If the screw is too shallowly screwed in, it may come loose or air may leak.

2. Chamfer dimension for female thread of the connection thread M5, 10-32 UNF

Confirming to ISO 16030 (air pressure fluid dynamics – connection – ports and stud ends), the chamfer dimensions shown below are recommended.



Female thread size	Chamfer dimension øD (Recommended value)
M5	5.1 to 5.4
10-32 UNF	5.0 to 5.3

3. This product has a stopper for fully close in rotating direction. Excess torque may break the stopper. Table below shows the maximum allowable torque of the handle.

Body size	Maximum allowable adjusting torque lbf ft (N·m)
M5	0.037 (0.05)
1/8	0.051 (0.07)
1/4	0.118 (0.16)
3/8	0.148 (0.2)
1/2	0.295 (0.4)

Piping Threads with Sealant

⚠ Caution

- The proper tightening torques of the fittings are as shown in the table below. As a guide, tighten by hand, then turn it two or three turns with a wrench. Check the dimensions of each product for the hexagon width across flats.

Connection thread size	Proper tightening torque lbf·ft (N·m)
NPT, R1/8	5.2 to 6.6 (7 to 9)
NPT, R1/4	8.9 to 10.3 (12 to 14)
NPT, R3/8	16.2 to 17.7 (22 to 24)
NPT, R1/2	20.7 to 22.1 (28 to 30)

- If the fitting is tightened with excessive torque, a large amount of sealant will seep out. Remove the excess sealant.
- Insufficient tightening may loosen the threads, or cause air leakage.
- Reuse
 - Normally, fittings with a sealant can be reused 2 to 3 times.
 - To prevent air leakage through the sealant, remove any loose sealant stuck to the fitting by blowing air over the threaded portion.
 - If the sealant no longer provides effective sealing, wrap sealing tape over the sealant before reusing. Do not use the sealant in any form other than a tape type.
- Once the fitting has been tightened, backing it out to its original position often causes the sealant to become defective. Air leakage will occur.
- R threaded studs with Rc threaded ports and use NPT threaded studs with NPT threaded ports.

Piping

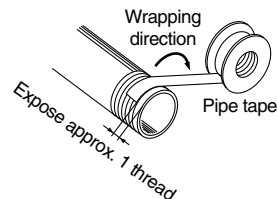
⚠ Caution

- This product has One-touch fittings, refer to the Fittings & Tubing Precautions of Best Pneumatics No. 6.
- Preparation before piping

Before piping is connected, it should be thoroughly blown out with air (flushing) or washed to remove chips, cutting oil and other debris from inside the pipe.
- Wrapping of pipe tape


When screwing together pipes and fittings, etc., be certain that chips from the pipe threads and sealing material do not get inside the pipe.


Also, when the pipe tape is used, leave approx. 1 thread ridges exposed at the end of the threads.




Safety Instructions

These safety instructions are intended to prevent hazardous situations and/or equipment damage. These instructions indicate the level of potential hazard with the labels of “**Caution**,” “**Warning**” or “**Danger**.” They are all important notes for safety and must be followed in addition to International Standards (ISO/IEC)*1), and other safety regulations.

 **Caution:** **Caution** indicates a hazard with a low level of risk which, if not avoided, could result in minor or moderate injury.

 **Warning:** **Warning** indicates a hazard with a medium level of risk which, if not avoided, could result in death or serious injury.

 **Danger:** **Danger** indicates a hazard with a high level of risk which, if not avoided, will result in death or serious injury.

*1) ISO 4414: Pneumatic fluid power – General rules relating to systems.
ISO 4413: Hydraulic fluid power – General rules relating to systems.
IEC 60204-1: Safety of machinery – Electrical equipment of machines.
(Part 1: General requirements)
ISO 10218-1: Manipulating industrial robots – Safety.
etc.

Warning

1. The compatibility of the product is the responsibility of the person who designs the equipment or decides its specifications.

Since the product specified here is used under various operating conditions, its compatibility with specific equipment must be decided by the person who designs the equipment or decides its specifications based on necessary analysis and test results. The expected performance and safety assurance of the equipment will be the responsibility of the person who has determined its compatibility with the product. This person should also continuously review all specifications of the product referring to its latest catalog information, with a view to giving due consideration to any possibility of equipment failure when configuring the equipment.

2. Only personnel with appropriate training should operate machinery and equipment.

The product specified here may become unsafe if handled incorrectly. The assembly, operation and maintenance of machines or equipment including our products must be performed by an operator who is appropriately trained and experienced.

3. Do not service or attempt to remove product and machinery/equipment until safety is confirmed.

1. The inspection and maintenance of machinery/equipment should only be performed after measures to prevent falling or runaway of the driven objects have been confirmed.
2. When the product is to be removed, confirm that the safety measures as mentioned above are implemented and the power from any appropriate source is cut, and read and understand the specific product precautions of all relevant products carefully.
3. Before machinery/equipment is restarted, take measures to prevent unexpected operation and malfunction.

4. Contact SMC beforehand and take special consideration of safety measures if the product is to be used in any of the following conditions.

1. Conditions and environments outside of the given specifications, or use outdoors or in a place exposed to direct sunlight.
2. Installation on equipment in conjunction with atomic energy, railways, air navigation, space, shipping, vehicles, military, medical treatment, combustion and recreation, or equipment in contact with food and beverages, emergency stop circuits, clutch and brake circuits in press applications, safety equipment or other applications unsuitable for the standard specifications described in the product catalog.
3. An application which could have negative effects on people, property, or animals requiring special safety analysis.
4. Use in an interlock circuit, which requires the provision of double interlock for possible failure by using a mechanical protective function, and periodical checks to confirm proper operation.

Caution

1. The product is provided for use in manufacturing industries.

The product herein described is basically provided for peaceful use in manufacturing industries.

If considering using the product in other industries, consult SMC beforehand and exchange specifications or a contract if necessary.

If anything is unclear, contact your nearest sales branch.

Limited warranty and Disclaimer/ Compliance Requirements

The product used is subject to the following “Limited warranty and Disclaimer” and “Compliance Requirements”.

Read and accept them before using the product.

Limited warranty and Disclaimer

1. The warranty period of the product is 1 year in service or 1.5 years after the product is delivered.*2)

Also, the product may have specified durability, running distance or replacement parts. Please consult your nearest sales branch.

2. For any failure or damage reported within the warranty period which is clearly our responsibility, a replacement product or necessary parts will be provided.

This limited warranty applies only to our product independently, and not to any other damage incurred due to the failure of the product.

3. Prior to using SMC products, please read and understand the warranty terms and disclaimers noted in the specified catalog for the particular products.

*2) **Vacuum pads are excluded from this 1 year warranty.**

A vacuum pad is a consumable part, so it is warranted for a year after it is delivered. Also, even within the warranty period, the wear of a product due to the use of the vacuum pad or failure due to the deterioration of rubber material are not covered by the limited warranty.

Compliance Requirements

1. The use of SMC products with production equipment for the manufacture of weapons of mass destruction (WMD) or any other weapon is strictly prohibited.

2. The exports of SMC products or technology from one country to another are governed by the relevant security laws and regulations of the countries involved in the transaction. Prior to the shipment of a SMC product to another country, assure that all local rules governing that export are known and followed.












Safety Instructions

Be sure to read “Handling Precautions for SMC Products” (M-E03-3) before using.

Global Manufacturing, Distribution and Service Network

Worldwide Subsidiaries

North & South America

-  U.S.A. SMC Corporation of America
-  CANADA SMC Pneumatics (Canada) Ltd.
-  MEXICO SMC Corporation (México), S.A. de C.V.
-  BRAZIL SMC Pneumáticos do Brasil Ltda.
-  CHILE SMC Pneumatics (Chile) S.A.
-  COLOMBIA SMC Colombia Sucursal de SMC Chile S.A.
-  ARGENTINA SMC Argentina S.A.
-  BOLIVIA SMC Pneumatics Bolivia S.r.l.
-  VENEZUELA SMC Neumatica Venezuela S.A.
-  PERU (Distributor) IMPECO Automatización Industrial S.A.C.
-  ECUADOR (Distributor) ASSISTECH CIA. LTDA.













Asia/Oceania

-  CHINA SMC(China)Co.,Ltd.
-  CHINA SMC Pneumatics (Guangzhou) Ltd.
-  HONG KONG SMC Pneumatics(Hong Kong)Ltd.
-  TAIWAN SMC Pneumatics(Taiwan)Co.,Ltd.
-  KOREA SMC Pneumatics Korea Co., Ltd.
-  SINGAPORE SMC Pneumatics(S.E.A.)Pte.Ltd.
-  MALAYSIA SMC Pneumatics(S.E.A.)Sdn.Bhd.
-  THAILAND SMC (Thailand) Ltd.
-  PHILIPPINES Shoketsu SMC Corporation
-  INDIA SMC Pneumatics(India)Pvt.Ltd.
-  ISRAEL (Distributor) Baccara Geva A.C.S. Ltd.
-  INDONESIA (Distributor) PT. Sinar Mutiara Cemerlang
-  VIETNAM (Distributor) Dy Dan Trading Co.,Ltd.
-  PAKISTAN (Distributor) Jubilee Corporation

Asia/Oceania

-  SRI LANKA (Distributor) Electro-Serv(Pvt.)Ltd.
-  IRAN (Distributor) Abzarchian Co. Ltd.
-  U.A.E. (Distributor) Machinery People Trading Co. L.L.C.
-  KUWAIT (Distributor) Esco Kuwait Equip & Petroleum App. Est.
-  SAUDI ARABIA (Distributor) Assaggaff Trading Est.
-  BAHRAIN (Distributor) Mohammed Jalal & Sons W.L.L. Technical & Automative Services
-  SYRIA (Distributor) Miak Corporation
-  JORDAN (Distributor) Atafawok Trading Est.
-  BANGLADESH (Distributor) Chemie International
-  AUSTRALIA SMC Pneumatics(Australia)Pty.Ltd.
-  NEW ZEALAND SMC Pneumatics(N.Z.)Ltd.
-  JAPAN SMC Corporation

Europe/Africa

-  GERMANY SMC Pneumatik GmbH
-  SWITZERLAND SMC Pneumatik AG
-  U.K. SMC Pneumatics (U.K.) Ltd.
-  FRANCE SMC Pneumatique SA
-  SPAIN / PORTUGAL SMC España S.A.
-  ITALY SMC Italia S.p.A.
-  GREECE SMC HELLAS E.P.E
-  IRELAND SMC Pneumatics (Ireland) Ltd.
-  NETHERLANDS (Associated company) SMC Pneumatics BV
-  BELGIUM (Associated company) SMC Pneumatics N.V./S.A.
-  DENMARK SMC Pneumatik A/S
-  AUSTRIA SMC Pneumatik GmbH (Austria)

Europe/Africa

-  CZECH REPUBLIC SMC Industrial Automation CZ s.r.o.
-  HUNGARY SMC Hungary Ipari Automatizálási Kft.
-  POLAND SMC Industrial Automation Polska Sp. z o.o.
-  SLOVAKIA SMC Priemyselna Automatizacia Spol s.r.o.
-  SLOVENIA SMC Industrijska Avtomatika d.o.o.
-  BULGARIA SMC Industrial Automation Bulgaria EOOD
-  CROATIA SMC Industrijska Automatika d.o.o.
-  BOSNIA AND HERZEGOVINA(Distributor) A.M. Pneumatik d.o.o.
-  SERBIA(Distributor) Best Pneumatics d.o.o.
-  UKRAINE(Distributor) PNEUMOTEC Corp.
-  FINLAND SMC Pneumatics Finland Oy
-  NORWAY SMC Pneumatics Norway AS
-  SWEDEN SMC Pneumatics Sweden AB
-  ESTONIA SMC Pneumatics Estonia Oü
-  LATVIA SMC Pneumatics Latvia SIA
-  LITHUANIA(LIETUVA) UAB "SMC Pneumatics"
-  ROMANIA SMC Romania S.r.l.
-  RUSSIA SMC Pneumatik LLC.
-  KAZAKHSTAN SMC Kazakhstan, LLC.
-  TURKEY (Distributor) Entek Pnömatik Sanayi ve Ticaret Şirketi
-  MOROCCO (Distributor) Soraflex
-  TUNISIA (Distributor) Byms
-  EGYPT (Distributor) Saadani Trading & Industrial Services
-  NIGERIA (Distributor) Faraday Engineering Company Ltd.
-  SOUTH AFRICA (Distributor) Hyflo Southern Africa (Pty.) Ltd.

U.S. & Canadian Sales Offices

WEST

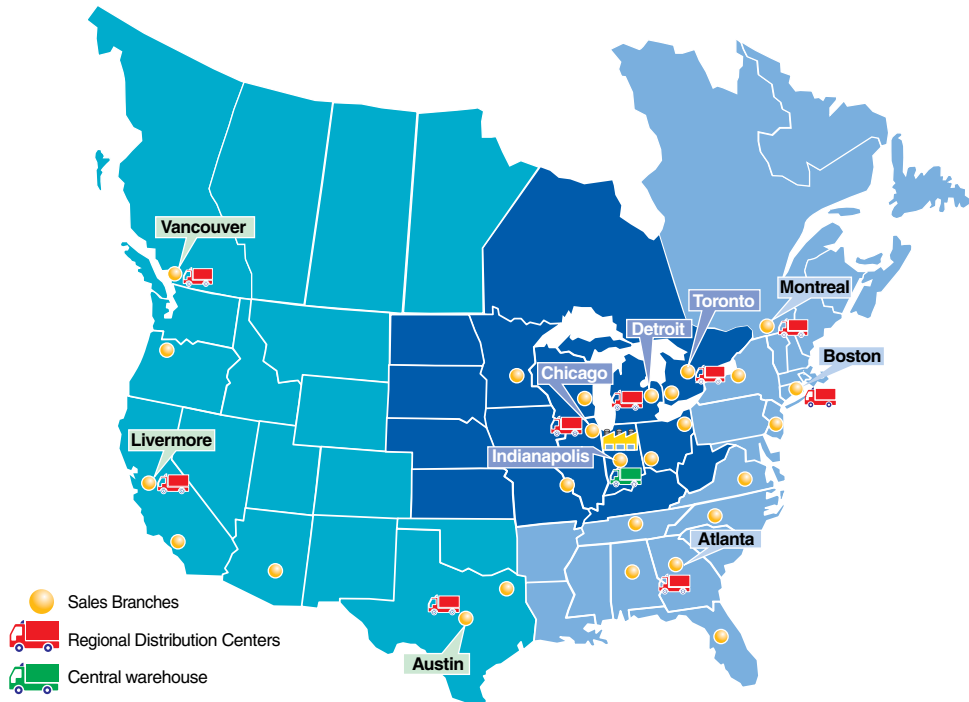
- Austin
- Dallas
- Los Angeles
- Phoenix
- Portland
- San Francisco
- Vancouver

EAST

- Atlanta
- Birmingham
- Boston
- Charlotte
- Nashville
- New Jersey
- Richmond
- Rochester
- Tampa
- Montreal

CENTRAL

- Chicago
- Cincinnati
- Cleveland
- Detroit
- Indianapolis
- Milwaukee
- Minneapolis
- St. Louis
- Toronto
- Windsor



SMC Corporation of America
10100 SMC Blvd., Noblesville, IN 46060

www.smcusa.com

SMC Pneumatics (Canada) Ltd.
www.smcpcneumatics.ca

(800) SMC.SMC1 (762-7621)

e-mail: sales@smcusa.com

For International inquiries: www.smcworld.com

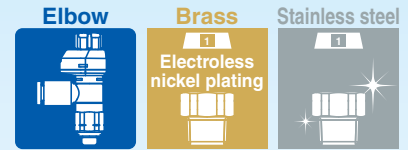



Speed Controller with Indicator New

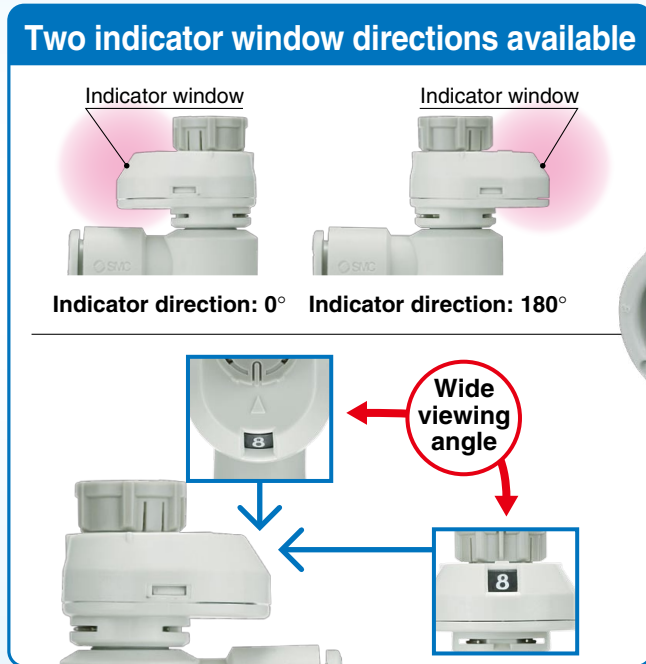
Numerical indication of handle rotation for flow rate

RoHS

reduces flow setting time and setting errors!



Indicator window	Body size 1		Body size 2 or larger	
	Indicator window	Number of needle rotations	Indicator window	Number of needle rotations
 <p>Numerical indication of handle rotation</p>	1	1	1	1
	2	2	2	2
	⋮	⋮	⋮	⋮
	⋮	⋮	⋮	⋮
	8	8	10	10



Larger push-lock type handle

Easy to lock

Locked Unlocked

Easy to operate with the larger handle and marking every 90° mark

Body size	øD (mm)
1	9.4
2	12 (Port size 1/8) 13 (Port size 1/4)
3	16.6
4	18.8



New types added!



Made to Order added

- Vaseline/-X12
- Grease-free + Restrictor/-X21
- Restrictor/-X214
- Clean Series/10-

Series AS-FS

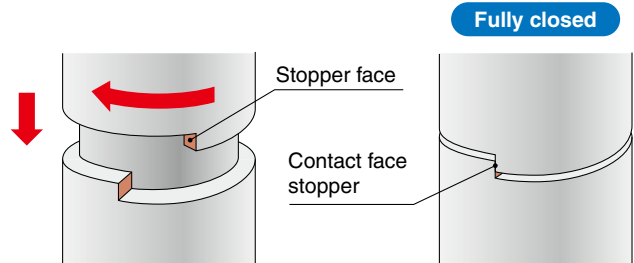
SMC
CAT.ES20-229B

Flow rate reproducibility













Improved reproducibility of flow rate

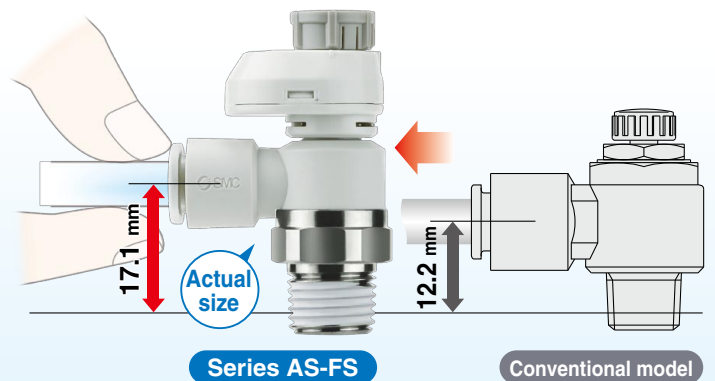
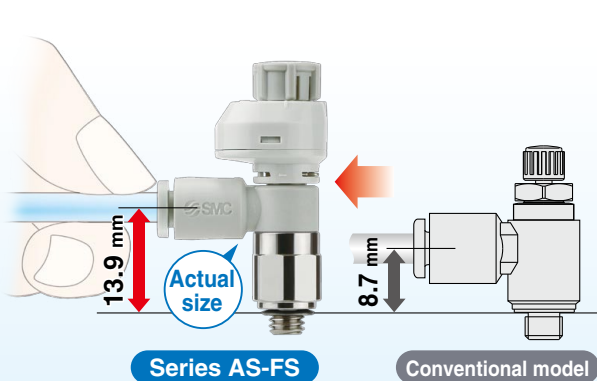
Stable handle position when fully closed (no flow rate) onto the contact face stopper (rotating stopper). Small variations in flow rate depending on the number of handle rotations



Easy identification of product type

Series	Release button color			
	Meter-out	Meter-in	Metric	Inch
 AS-FS AS-FS-U□	Gray 	Light blue 	Light gray 	Orange 
 AS-FSG	Gray 	Light blue 	White 	White 





Easier to insert and remove the tube!



Tubing diameter	Thread	Model	Model
ø4	M5	AS12□1FS-M5□-04	AS12□1F-M5-04

Tubing diameter	Thread	Model	Model
ø6	1/4	AS22□1FS-02-06S	AS22□1F-02-06

Series Variations

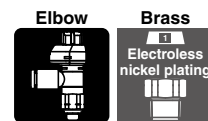
Seal method	Body size	Port size	Applicable tubing O.D.											Metal parts material	Applicable tubing material				
			Metric size						Inch size										
			2	3.2	4	6	8	10	12	16	1/8"	5/32"	1/4"			5/16"	3/8"	1/2"	
 Gasket seal	1	M5 x 0.8	●	●	●	●							●	●	●				
		10-32UNF	●	●	●	●								●	●	●			
 Sealant*2	2	R	1/8	●	●	●	●	●	●					●	●	●			
			1/4	●	●	●	●	●	●					●	●	●	●		
	3	NPT	1/4			●	●	●	●	●					●	●	●		
			3/8			●	●	●	●	●					●	●	●		
4		1/2					●	●	●						●	●			
 Face seal	2	G*1	1/8	●	●	●	●	●	●					●	●	●			
			1/4	●	●	●	●	●	●										
	3		1/4			●	●	●	●	●									
			3/8			●	●	●	●	●									
4		1/2					●	●	●										
 Gasket seal	2	Uni	1/8	●	●	●	●	●	●					●	●	●			
			1/4	●	●	●	●	●	●					●	●	●	●		
	3		1/4			●	●	●	●	●						●	●	●	
			3/8			●	●	●	●	●						●	●	●	
4		1/2					●	●	●						●	●			

*1 Face seal type is applicable only to the G thread type. *2 "Without sealant" type can be selected as a standard option.

- Electroless nickel plating type is standardized.
- Stainless steel type is standardized.
- G thread (Face seal) type is standardized.



Speed Controller with Indicator/ Elbow Type Series AS-FS



Model

Model	Port size	Seal method	Applicable tubing O.D.											Note 3) Max. number of rotations			
			Metric size						Inch size								
Elbow type			2 ^{Note 2)}	3.2	4	6	8	10	12	16	1/8"	5/32"	1/4"	5/16"	3/8"	1/2"	
AS12□1FS□-M5□	M5 x 0.8	Gasket seal	●	●	●	●					●	●	●				
AS12□1FS□-U10/32□	10-32UNF		●	●	●	●					●	●	●				
AS22□1FS□-□01	R NPT	Note 1) Sealant		●	●	●	●	●			●	●	●	●			
AS22□1FS□-□02			1/8		●	●	●	●	●			●	●	●	●	●	
AS32□1FS□-□02			1/4		●	●	●	●	●	●			●	●	●	●	●
AS32□1FS□-□03			3/8				●	●	●	●			●	●	●	●	●
AS42□1FS□-□04			1/2							●	●	●				●	●
AS22□1FS□-G01	G	Face seal		●	●	●	●	●									
AS22□1FS□-G02			1/8		●	●	●	●	●								
AS32□1FS□-G02			1/4				●	●	●	●							
AS32□1FS□-G03			3/8				●	●	●	●							
AS42□1FS□-G04			1/2							●	●	●					

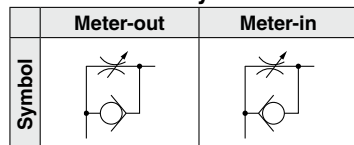
Note 1) "Without sealant" type can be selected as a standard option.

Note 2) Only polyurethane tubing is applicable for ø2.

Note 3) There are differences in actual rate as by the indicator window over the maximum number of rotations depending on the individual product.

Specifications

Flow Direction Symbol on Body



Fluid	Air
Proof pressure	1.5 MPa
Max. operating pressure	1 MPa
Min. operating pressure	0.1 MPa
Ambient and fluid temperature	-5 to 60°C (No freezing)
Applicable tubing material	Nylon, Soft nylon, Polyurethane ^{Note)} , FEP, PFA

Note) Use caution at the max. operating pressure when using soft nylon or polyurethane tubing. (Refer to the WEB catalog or Best Pneumatics No. 6 for details.)

⚠ Caution

Be sure to read this before handling. Refer to the back cover for Safety Instructions. For Flow Control Equipment Precautions, refer to "Handling Precautions for SMC Products" and the Operation Manual on SMC website, <http://www.smcworld.com>

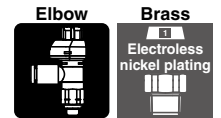
Flow-rate and Sonic Conductance

Model	AS12□1FS-M5□	AS22□1FS-01		AS22□1FS-02			AS32□1FS		AS42□1FS						
Tubing O.D.	Metric size	ø2	ø3.2 ø4 ø6	ø3.2	ø4	ø6 ø8 ø10	ø3.2	ø4	ø6	ø8 ø10	ø6	ø8	ø10 ø12	ø10	ø12 ø16
	Inch size	—	ø1/8" ø1/4" ø5/32"	ø1/8"	ø5/32"	ø1/4" ø5/16"	ø1/8"	ø5/32"	—	ø1/4" ø5/16" ø3/8"	ø1/4"	ø5/16"	ø3/8"	ø3/8"	ø1/2"
C values: Sonic conductance dm ³ /(s·bar)	Free flow	0.2	0.3	0.4	0.6	0.6	0.7	1.0	1.3	1.5	1.6	1.7	2.5	4.4	4.8
	Controlled flow	0.2	0.3	0.4	0.7	0.8	0.6	0.9	1.3	2.1	2.4	3.3	4.4	4.9	
b values: Critical pressure ratio	Free flow	0.3	0.4	0.2	0.3	0.3	0.3	0.4	0.4	0.3	0.3	0.3	0.3	0.3	0.3
	Controlled flow	0.2	0.2	0.3	0.3	0.3	0.3	0.3	0.3	0.3	0.3	0.3	0.3	0.3	0.3

Note 1) 10-32UNF has the same specification as M5.

Note 2) C and b values are for controlled flow with the needle fully open and free flow with the needle fully closed.

Speed Controller with Indicator/Elbow Type *Series AS-FS*



How to Order



Width across flats (H)

E	8 mm
Nil	9 mm

Body size

1	M5 x 0.8 10-32UNF
---	----------------------

Port size

M5	M5 x 0.8
U10/32	10-32UNF

Applicable tubing O.D. ^{Note 1)}

Metric size		Inch size	
02	ø2	01	ø1/8"
23	ø3.2 ^{Note 2)}	03	ø5/32"
04	ø4	07	ø1/4"
06	ø6		

Note 1) For selecting applicable tubing O.D., refer to the "Model" on page 3.
Metric size and inch size types can be visually identified by color of the release button.
Metric size: Light gray
Inch size: Orange

Note 2) Use ø1/8" tube.

Body size 1

AS 1 2 0 1F S [] - M5 E - 06 - []

Body size 2/3/4

AS 2 2 0 1F S [] - [] 01 - 06 S - []

Body size

2	1/8, 1/4
3	3/8
4	1/2

With indicator

Type

2	Elbow
---	-------

Control type ^{Note)}

0	Meter-out
1	Meter-in

Note) Meter-out and meter-in types can be visually identified by color of the handle.
Meter-out: Gray
Meter-in: Light blue

Indicator direction

Nil	0°	
1	180°	

Note) Orientation of indicator direction is fixed when manufacturing, and cannot be changed by the user.

• Made to Order
Refer to page 10 for details.

Seal method

Nil	Without sealant
S	With sealant

Note) Face seal type is used for the G thread type.

Select "Nil/Without sealant".

Example) AS2201FS-G01-06

Applicable tubing O.D. ^{Note 1)}

Metric size		Inch size ^{Note 3)}	
23	ø3.2 ^{Note 2)}	01	ø1/8"
04	ø4	03	ø5/32"
06	ø6	07	ø1/4"
08	ø8	09	ø5/16"
10	ø10	11	ø3/8"
12	ø12	13	ø1/2"
16	ø16		

Note 1) For selecting applicable tubing O.D., refer to the "Model" on page 3.

Note 2) Use ø1/8" tube.

Note 3) Only the metric size is available for the G thread type.

Port size

01	1/8
02	1/4
03	3/8
04	1/2

Thread type

Nil	R
N	NPT
G	G

AS-FS

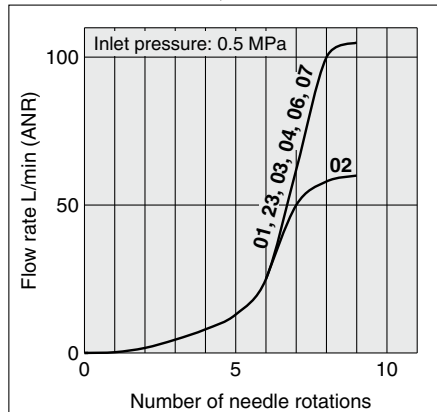
AS-FSG

Uni-AS-FS

Series AS-FS

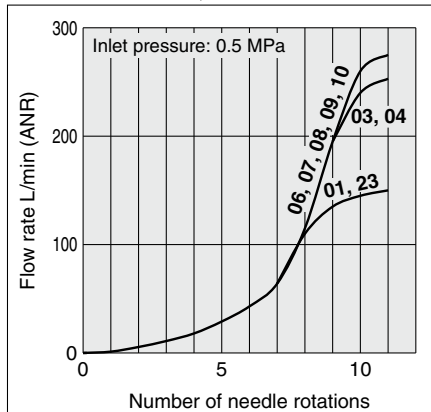
Needle Valve/Flow-rate Characteristics

AS1201FS□-M5□, AS1211FS□-M5□

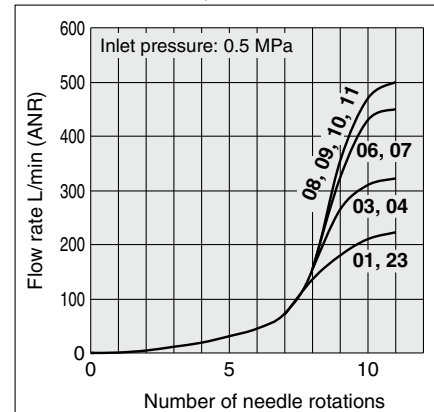


Note) -U10/32 has the same specification as M5.

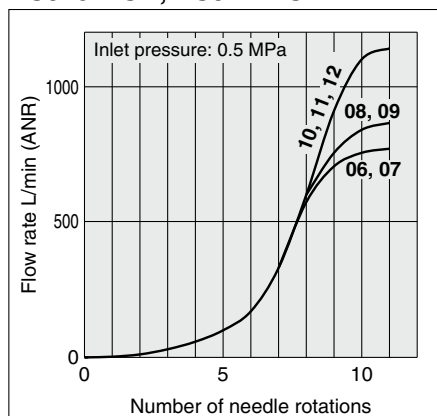
AS2201FS□-01, AS2211FS□-01



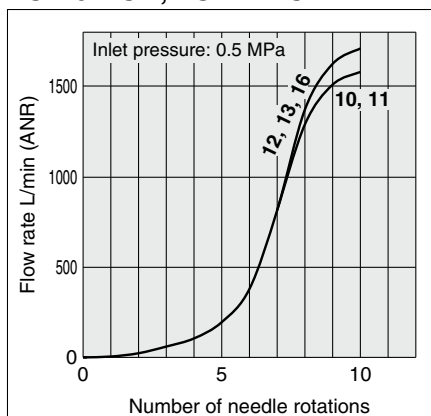
AS2201FS□-02, AS2211FS□-02



AS3201FS□, AS3211FS□



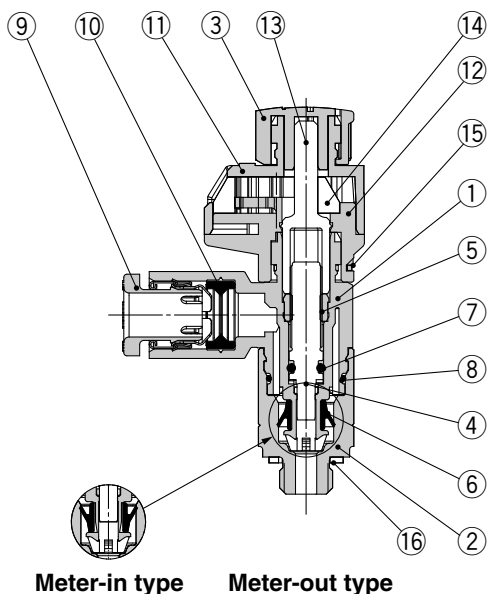
AS4201FS□, AS4211FS□



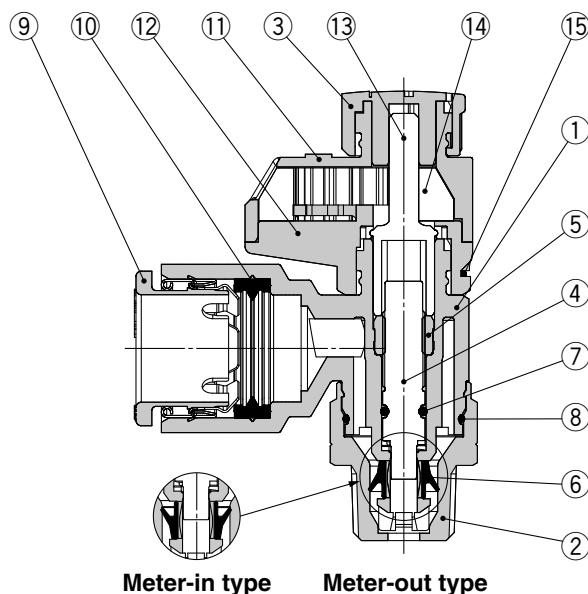
Note) The numbers above the flow-rate characteristic curves in the charts show the applicable tubing outside diameter as defined by the product number.

Construction

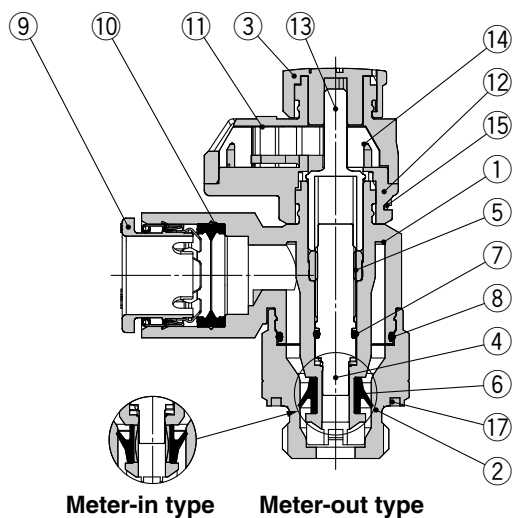
Seal method: Gasket seal
For M5, 10-32UNF



Seal method: Sealant
For R, NPT thread



Seal method: Face seal
For G thread



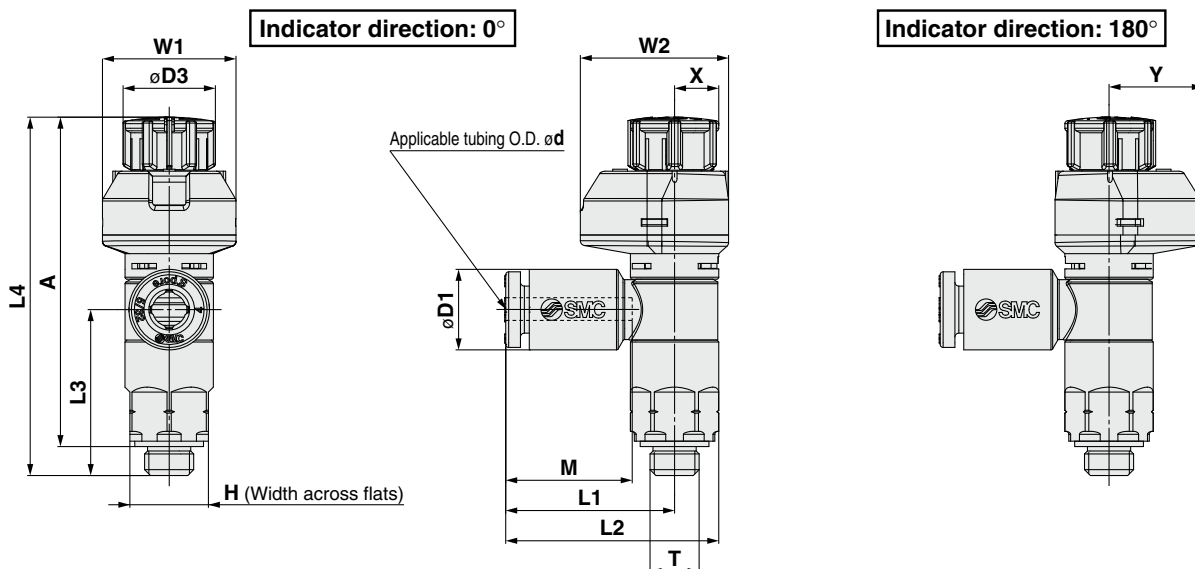
Component Parts

No.	Description	Material	Note
1	Body A	PBT	
2	Body B	Brass	Electroless nickel plating
3	Handle	POM	
4	Needle	PBT	
5	Needle guide	Brass	Electroless nickel plating
6	U seal	HNBR	
7	O-ring	NBR	
8	O-ring	NBR	
9	Cassette	—	
10	Seal	NBR	
11	Bonnet A	POM	
12	Bonnet B	POM	
13	Gear	POM	
14	Indicator gear	POM	
15	Clip	Stainless steel	
16	Gasket	NBR/Stainless steel	
17	Seal	NBR	

Series AS-FS

Dimensions

Seal method: Gasket seal
For M5, 10-32UNF



Metric Size

Model	d	T	H	D1	D3	L1	L2	L3	L4 Note 1)		A Note 2)		M	W1	W2	X	Y	Weight g			
									Unlocked	Locked	Unlocked	Locked									
AS12□1FS□-M5E-02	2	M5 x 0.8 10/32UNF	8	5.8	9.4	15.8	20.3	16.9	39	36.5	35	33.5	11.9	13.6	15.1	5.5	9.6	7			
AS12□1FS□-U10/32E-02				7.2																	
AS12□1FS□-M5E-23	3.2			8.2																	
AS12□1FS□-U10/32E-23				8.2																	
AS12□1FS□-M5E-04	4			10.4		18.6	23.1												16.5	13.3	8
AS12□1FS□-U10/32E-04	6			10.4		18.6	23.1												16.5	13.3	8
AS12□1FS□-M5E-06		10.4	18.6	23.1	16.5	13.3	8														
AS12□1FS□-U10/32E-06	6	10.4	18.6	23.1	16.5	13.3	8														

Note 1) Reference dimensions

Note 2) Reference dimensions of threads after installation

Inch Size

Model	d	T	H	D1	D3	L1	L2	L3	L4 Note 1)		A Note 2)		M	W1	W2	X	Y	Weight g			
									Unlocked	Locked	Unlocked	Locked									
AS12□1FS□-M5E-01	1/8"	M5 x 0.8 10/32UNF	8	7.2	9.4	17.2	21.7	16.9	39.0	36.5	35	33.5	13.3	13.6	15.1	5.5	9.6	7			
AS12□1FS□-U10/32E-01				7.2																	
AS12□1FS□-M5E-03	5/32"			8.2																	
AS12□1FS□-U10/32E-03				8.2																	
AS12□1FS□-M5E-07	1/4"			11.2		18.6	23.1												16.5	13.3	8
AS12□1FS□-U10/32E-07				11.2		18.6	23.1												16.5	13.3	8

Note 1) Reference dimensions

Note 2) Reference dimensions of threads after installation

Speed Controller with Indicator/Elbow Type **Series AS-FS**

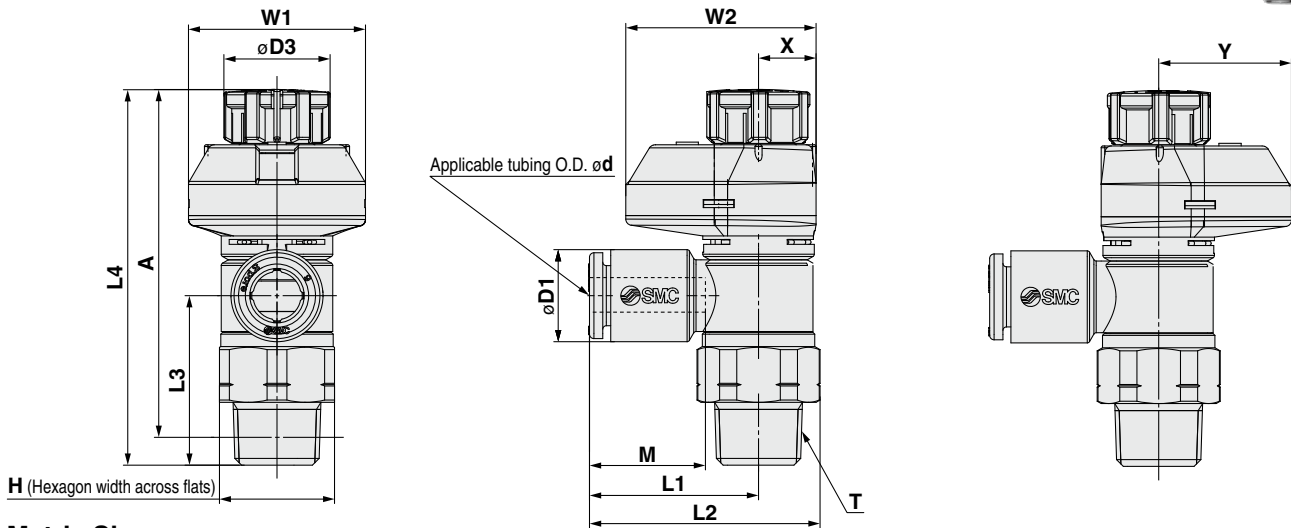


Dimensions

Seal method: Sealant
For R, NPT thread

Indicator direction: 0°

Indicator direction: 180°



Metric Size

Model	d	T (R, NPT)	H	D1	D3	L1	L2	L3	L4 Note 1)		A Note 2)		M	W1	W2	X	Y	Weight g
									Unlocked	Locked	Unlocked	Locked						
AS22□1FS□-01-23(S)	3.2	1/8	13 (12.7)	7.2	12	19.1	26.1 (26)	19.1	43.9	42.4	40.8	39.3	13.3	20	21.5	6.5	15	13 (13)
AS22□1FS□-01-04(S)	4			14 (14)														
AS22□1FS□-01-06(S)	6			15 (15)														
AS22□1FS□-01-08(S)	8			16 (16)														
AS22□1FS□-01-10(S)	10			17 (17)														
AS22□1FS□-02-23(S)	3.2	1/4	17 (17.5)	7.2	13	20.9	30 (30.3)	22.6	49.7	48.3	44.2	42.8	13.3	21.5	24	7.8	16.2	23 (24)
AS22□1FS□-02-04(S)	4			24 (25)														
AS22□1FS□-02-06(S)	6			25 (26)														
AS22□1FS□-02-08(S)	8			26 (27)														
AS22□1FS□-02-10(S)	10			27 (28)														
AS32□1FS□-02-06(S)	6	1/4	19	10.4	16.6	21.8	32.1	36.4	63.1	61.7	57.9	56.5	13.3	24.5	28.5	9.3	19.2	47 (48)
AS32□1FS□-02-08(S)	8			48 (49)														
AS32□1FS□-02-10(S)	10			49 (50)														
AS32□1FS□-02-12(S)	12			50 (51)														
AS32□1FS□-03-06(S)	6			3/8														19
AS32□1FS□-03-08(S)	8	39 (40)																
AS32□1FS□-03-10(S)	10	40 (41)																
AS32□1FS□-03-12(S)	12	41 (42)																
AS42□1FS□-04-10(S)	10	1/2	24 (23.8)		15.9	18.8	27.4	40.3 (40.2)	36.2	64.1	62.5	57	55.4	15.6	26	29	10	
AS42□1FS□-04-12(S)	12			63 (63)														
AS42□1FS□-04-16(S)	16			68 (67)														

Note 1) Reference dimensions Note 2) Reference dimensions of threads after installation Note 3) () are the dimensions of NPT thread.

Inch Size

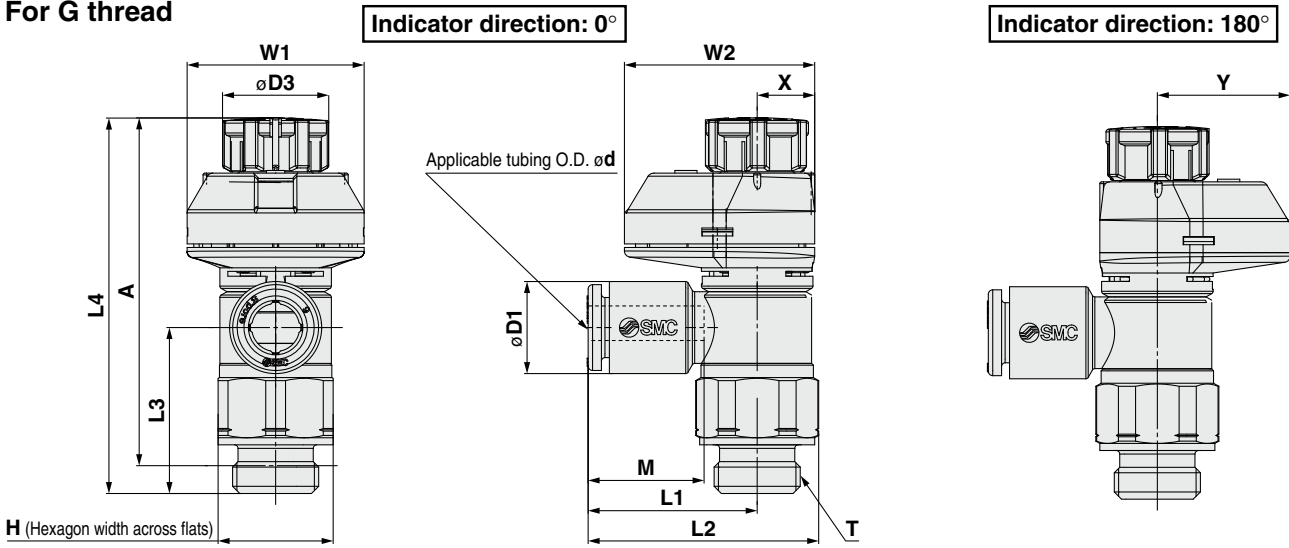
Model	d	T (R, NPT)	H	D1	D3	L1	L2	L3	L4 Note 1)		A Note 2)		M	W1	W2	X	Y	Weight g
									Unlocked	Locked	Unlocked	Locked						
AS22□1FS□-01-01(S)	1/8"	1/8	13 (12.7)	7.2	12	19.1	26.1 (26)	19.1	43.8	42.4	40.7	39.3	13.3	20	21.5	6.5	15	13 (13)
AS22□1FS□-01-03(S)	5/32"			14 (14)														
AS22□1FS□-01-07(S)	1/4"			15 (15)														
AS22□1FS□-01-09(S)	5/16"			16 (16)														
AS22□1FS□-02-01(S)	1/8"			17 (17)														
AS22□1FS□-02-03(S)	5/32"	1/4	17 (17.5)	7.2	13	20.9	30 (30.3)	22.6	49.7	48.3	44.2	42.8	13.3	21.5	24	7.8	16.2	23 (24)
AS22□1FS□-02-07(S)	1/4"			24 (24)														
AS22□1FS□-02-09(S)	5/16"			25 (25)														
AS22□1FS□-02-11(S)	3/8"			26 (26)														
AS32□1FS□-02-07(S)	1/4"			3/8														19
AS32□1FS□-02-09(S)	5/16"	48 (49)																
AS32□1FS□-02-11(S)	3/8"	49 (50)																
AS32□1FS□-03-07(S)	1/4"	50 (51)																
AS32□1FS□-03-09(S)	5/16"	3/8	19		11.2	16.6	21.8	32.1	28.7	55.4	54	50.2	48.8	13.3	24.5	28.5	9.3	
AS32□1FS□-03-11(S)	3/8"			39 (40)														
AS42□1FS□-04-11(S)	3/8"			40 (41)														
AS42□1FS□-04-13(S)	1/2"	1/2	24 (23.8)	15.5	18.8	27.4	40.3 (40.2)	36.2	64.1	62.5	57	55.4	15.6	26	29	10	19	62 (61)
AS42□1FS□-04-13(S)	1/2"			64 (63)														

Note 1) Reference dimensions Note 2) Reference dimensions of threads after installation Note 3) () are the dimensions of NPT thread.

Series AS-FS

Dimensions

Seal method: Face seal
For G thread



Metric Size

Model	d	T	H	D1	D3	L1	L2	L3	L4 Note 1)		A Note 2)		M	W1	W2	X	Y	Weight g
									Unlocked	Locked	Unlocked	Locked						
AS22□1FS□-G01-23	3.2	1/8	13	7.2	12	19.1	26.1	18.8	43.8	42.4	38.3	36.9	13.3	20	21.5	6.5	15	14
AS22□1FS□-G01-04	4																	
AS22□1FS□-G01-06	6																	
AS22□1FS□-G01-08	8																	
AS22□1FS□-G01-10	10	1/4	17	15.9	13	20.9	30	22.6	49.7	48.3	43.2	41.8	13.3	21.5	24	7.8	16.2	26
AS22□1FS□-G02-23	3.2																	
AS22□1FS□-G02-04	4																	
AS22□1FS□-G02-06	6																	
AS22□1FS□-G02-08	8	3/8	21	13.2	16.6	23.4	32.5	22.6	49.7	48.3	43.2	41.8	14.2	21.5	24	7.8	16.2	27
AS22□1FS□-G02-10	10																	
AS22□1FS□-G02-06	6																	
AS22□1FS□-G02-08	8																	
AS22□1FS□-G02-10	10	1/2	27	15.9	18.8	27.4	41.8	28	63.1	61.7	54.6	53.2	15.6	24.5	28.5	9.3	19.2	28
AS32□1FS□-G03-06	6																	
AS32□1FS□-G03-08	8																	
AS32□1FS□-G03-10	10																	
AS32□1FS□-G03-12	12	1/2	27	18.5	18.8	30.8	45.2	26.8	64.1	62.5	55.1	53.5	17	26	29	10	19	49
AS32□1FS□-G03-06	6																	
AS32□1FS□-G03-08	8																	
AS32□1FS□-G03-10	10																	
AS32□1FS□-G03-12	12	1/2	27	23.8	18.8	34.8	49.2	32.7	64.1	62.5	55.1	53.5	20.6	26	29	10	19	80
AS42□1FS□-G04-10	10																	
AS42□1FS□-G04-12	12																	
AS42□1FS□-G04-16	16																	

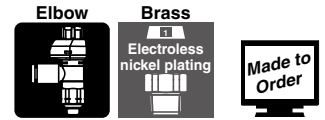
Note 1) Reference dimensions

Note 2) Reference dimensions of threads after installation

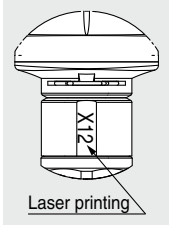
Series AS-FS

Made to Order

Please contact SMC for detailed dimensions, specifications and delivery.



1 Lubricant: Vaseline -X12



Example) AS2201FS-01-04S-X12

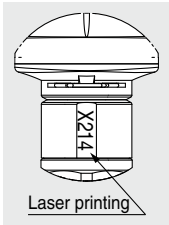
2 Grease-free (Seal: Fluorine-coated) + Restrictor (Without check valve) -X21



Example) AS2201FS-01-04S-X21

- Note 1) Not particle-free
- Note 2) The restrictor is only compatible with the part number of the meter-out type.
- Note 3) Only the needle and O-ring are fluorine-coated.

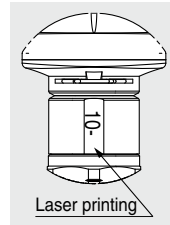
3 Restrictor (Without check valve) -X214



Example) AS2201FS-01-04S-X214

Note) The restrictor is only compatible with the part number of the meter-out type.

4 Clean Series 10-



Example) 10-AS2201FS-01-04S

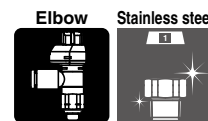
- Note 1) Fluorine grease is used.
- Note 2) The particulate generation grade is 3.

AS-FS

AS-FSG

Uni-AS-FS

Speed Controller with Indicator/ Elbow Type: Stainless Steel Type Series AS-FSG



Model

Model	Port size	Seal method	Applicable tubing O.D.												Note 3) Max. number of rotations			
			Metric size						Inch size									
Elbow type			2 Note 2)	3.2	4	6	8	10	12	16	1/8"	5/32"	1/4"	5/16"	3/8"	1/2"		
AS12□1FSG□-M5	M5 x 0.8	Gasket seal	●	●	●	●					●	●	●				8	
AS12□1FSG□-U10/32	10-32UNF		●	●	●	●					●	●	●					
AS22□1FSG□-□01	R NPT	Note 1) Sealant		●	●	●	●	●			●	●	●	●			10	
AS22□1FSG□-□02			1/8		●	●	●	●	●			●	●	●	●	●		
AS32□1FSG□-□02			1/4		●	●	●	●	●	●			●	●	●	●		●
AS32□1FSG□-□03			3/8				●	●	●	●			●	●	●	●		●
AS42□1FSG□-□04			1/2							●	●	●				●		●
AS22□1FSG□-G01			1/8	Face seal		●	●	●	●	●								
AS22□1FSG□-G02	1/4		●		●	●	●	●										
AS32□1FSG□-G02	1/4					●	●	●	●									
AS32□1FSG□-G03	3/8					●	●	●	●									
AS42□1FSG□-G04	1/2								●	●	●							

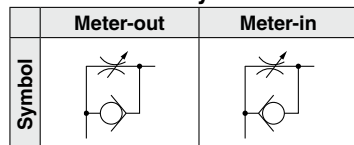
Note 1) "Without sealant" type can be selected as a standard option.

Note 2) Only polyurethane tubing is applicable for ø2.

Note 3) There are differences in actual rate as by the indicator window over the maximum number of rotations depending on the individual product.

Specifications

Flow Direction Symbol on Body



Fluid	Air
Proof pressure	1.5 MPa
Max. operating pressure	1 MPa
Min. operating pressure	0.1 MPa
Ambient and fluid temperature	-5 to 60°C (No freezing)
Applicable tubing material	Nylon, Soft nylon, Polyurethane ^{Note)} , FEP, PFA

Note) Use caution at the max. operating pressure when using soft nylon or polyurethane tubing. (Refer to the WEB catalog or Best Pneumatics No. 6 for details.)

⚠ Caution

Be sure to read this before handling. Refer to the back cover for Safety Instructions. For Flow Control Equipment Precautions, refer to "Handling Precautions for SMC Products" and the Operation Manual on SMC website, <http://www.smcworld.com>

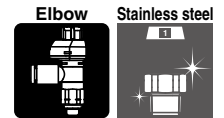
Flow-rate and Sonic Conductance

Model	AS12□1FSG□-M5	AS22□1FSG□-01	AS22□1FSG□-02	AS32□1FSG□	AS42□1FSG□
Tubing O.D.	Metric size	ø2 ø3.2 ø4 ø6	ø3.2 ø4 ø6 ø8 ø10	ø3.2 ø4 ø6 ø8 ø10	ø6 ø8 ø10 ø12 ø16
	Inch size	— ø1/8" ø1/4" ø5/32"	ø1/8" ø5/32" ø1/4" ø5/16"	ø1/8" ø5/32" — ø1/4" ø5/16" ø3/8"	ø1/4" ø5/16" ø3/8" ø3/8" ø1/2"
C values: Sonic conductance dm ³ /(s·bar)	Free flow	0.2 0.3	0.4 0.6 0.6	0.7 1.0 1.3 1.5	1.6 1.7 2.5 4.4 4.8
	Controlled flow	0.2 0.3	0.4 0.7 0.8	0.6 0.9 1.3	2.1 2.4 3.3 4.4 4.9
b values: Critical pressure ratio	Free flow	0.3 0.4	0.2 0.3	0.3 0.4	0.4 0.3 0.3
	Controlled flow	0.2	0.2 0.3	0.3	0.3 0.3

Note 1) 10-32UNF has the same specification as M5.

Note 2) C and b values are for controlled flow with the needle fully open and free flow with the needle fully closed.

Speed Controller with Indicator/Elbow Type Stainless Steel Type **Series AS-FSG**



How to Order



Applicable tubing O.D. ^{Note 1)}

Metric size		Inch size	
02	ø2	01	ø1/8"
23	ø3.2 ^{Note 2)}	03	ø5/32"
04	ø4	07	ø1/4"
06	ø6		

Note 1) For selecting applicable tubing O.D., refer to the "Model" on page 11.
Metric size and inch size types can be visually identified by color of the release button.
Stainless steel type: White
White is also used for inch size.
Note 2) Use ø1/8" tube.

Body size

1	M5 x 0.8 10-32UNF
---	----------------------

Port size

M5	M5 x 0.8
U10/32	10-32UNF

Body size 1

AS 1 2 0 1F S G [] - M5 - 06 - []

Body size 2/3/4

AS 2 2 0 1F S G [] - [] 01 - 06 S - []

Body size

2	1/8, 1/4
3	3/8
4	1/2

With indicator

Type

2	Elbow
---	-------

Control type ^{Note)}

0	Meter-out
1	Meter-in

Note) Meter-out and meter-in types can be visually identified by color of the handle.
Meter-out: Gray
Meter-in: Light blue

Stainless steel type

Indicator direction

Nil	0°	
1	180°	

Note) Orientation of indicator direction is fixed when manufacturing, and cannot be changed by the user.

Thread type

Nil	R
N	NPT
G	G

Made to Order
Refer to page 18 for details.

Seal method

Nil	Without sealant
S	With sealant

Note) Face seal type is used for the G thread type.
Select "Nil/Without sealant".
Example) AS2201FSG-G01-06

Applicable tubing O.D. ^{Note 1)}

Metric size		Inch size ^{Note 3)}	
23	ø3.2 ^{Note 2)}	01	ø1/8"
04	ø4	03	ø5/32"
06	ø6	07	ø1/4"
08	ø8	09	ø5/16"
10	ø10	11	ø3/8"
12	ø12	13	ø1/2"
16	ø16		

Note 1) For selecting applicable tubing O.D., refer to the "Model" on page 11.
Note 2) Use ø1/8" tube.
Note 3) Only the metric size is available for the G thread type.

Port size

01	1/8
02	1/4
03	3/8
04	1/2

AS-FS

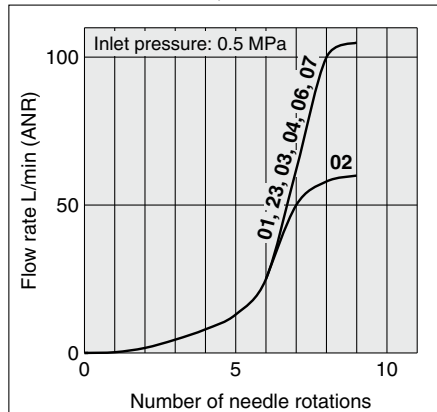
AS-FSG

Uni-AS-FS

Series AS-FSG

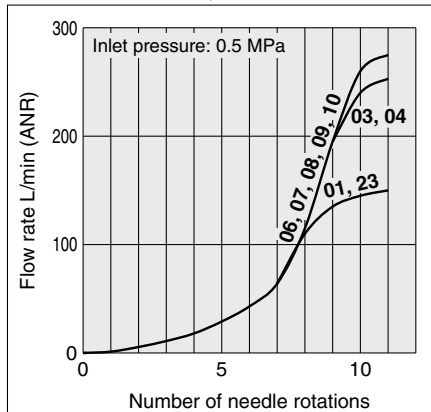
Needle Valve/Flow-rate Characteristics

AS1201FSG□-M5, AS1211FSG□-M5

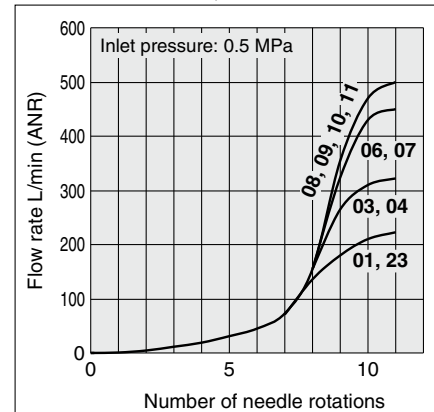


Note) -U10/32 has the same specification as M5.

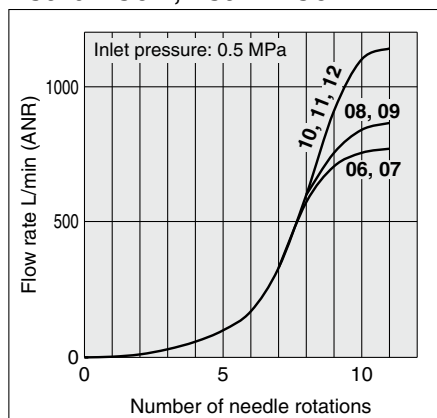
AS2201FSG□-01, AS2211FSG□-01



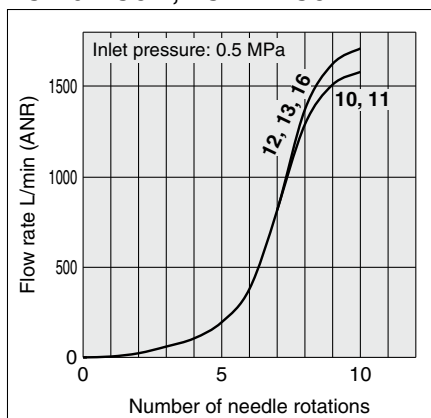
AS2201FSG□-02, AS2211FSG□-02



AS3201FSG□, AS3211FSG□



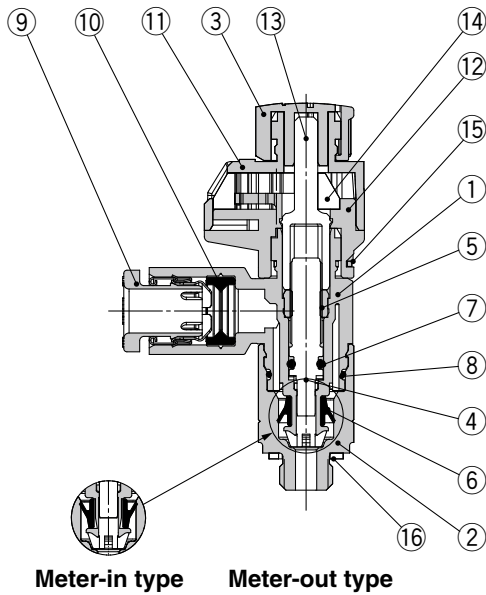
AS4201FSG□, AS4211FSG□



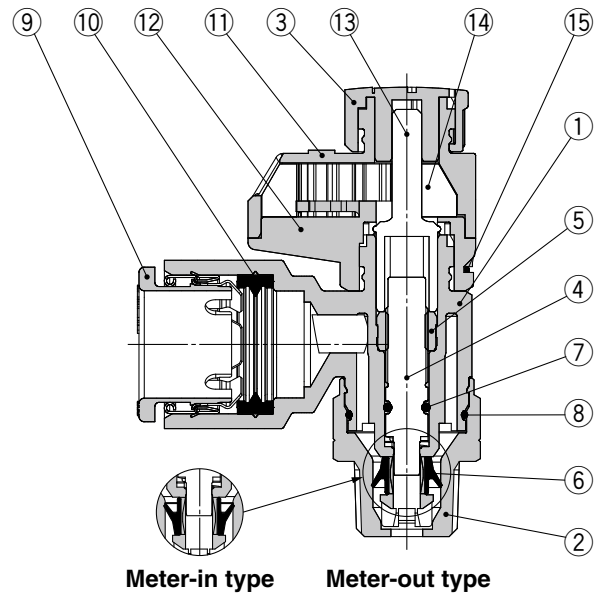
Note) The numbers above the flow-rate characteristic curves in the charts show the applicable tubing outside diameter as defined by the product number.

Construction

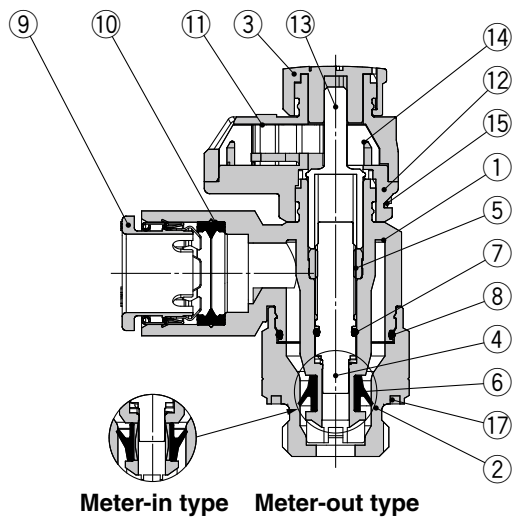
Seal method: Gasket seal
For M5, 10-32UNF



Seal method: Sealant
For R, NPT thread



Seal method: Face seal
For G thread



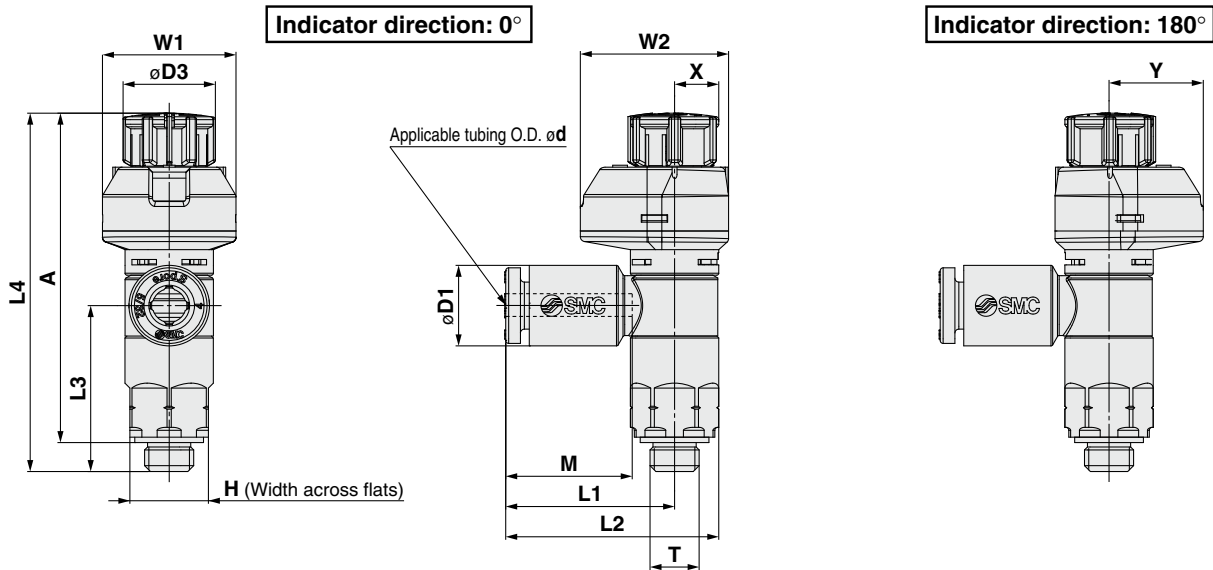
Component Parts

No.	Description	Material	Note
1	Body A	PBT	
2	Body B	Stainless steel	
3	Handle	POM	
4	Needle	PBT	
5	Needle guide	Stainless steel	
6	U seal	HNBR	
7	O-ring	NBR	
8	O-ring	NBR	
9	Cassette	—	
10	Seal	NBR	
11	Bonnet A	POM	
12	Bonnet B	POM	
13	Gear	POM	
14	Indicator gear	POM	
15	Clip	Stainless steel	
16	Gasket	NBR/Stainless steel	
17	Seal	NBR	

Series AS-FSG

Dimensions

Seal method: Gasket seal
For M5, 10-32UNF



Metric Size

Model	d	T	H	D1	D3	L1	L2	L3	L4 Note 1)		A Note 2)		M	W1	W2	X	Y	Weight g														
									Unlocked	Locked	Unlocked	Locked																				
AS12□1FSG□-M5-02	2	M5 x 0.8 10/32UNF	8	5.8	9.4	15.8	20.3	16.9	39	36.5	35	33.5	11.9	13.6	15.1	5.5	9.6	7														
AS12□1FSG□-U10/32-02				7.2																												
AS12□1FSG□-M5-23	3.2			8.2		17.2	21.7												13.3													
AS12□1FSG□-U10/32-23				10.4		18.6	23.1												16.5													
AS12□1FSG□-M5-04	4																															
AS12□1FSG□-U10/32-04	6																															8
AS12□1FSG□-M5-06																																
AS12□1FSG□-U10/32-06																																

Note 1) Reference dimensions

Note 2) Reference dimensions of threads after installation

Inch Size

Model	d	T	H	D1	D3	L1	L2	L3	L4 Note 1)		A Note 2)		M	W1	W2	X	Y	Weight g														
									Unlocked	Locked	Unlocked	Locked																				
AS12□1FSG□-M5-01	1/8"	M5 x 0.8 10/32UNF	8	7.2	9.4	17.2	21.7	16.9	39.0	36.5	35	33.5	13.3	13.6	15.1	5.5	9.6	7														
AS12□1FSG□-U10/32-01				8.2																												
AS12□1FSG□-M5-03	5/32"			11.2		18.6	23.1												16.5													
AS12□1FSG□-U10/32-03																																
AS12□1FSG□-M5-07	1/4"																															
AS12□1FSG□-U10/32-07																																

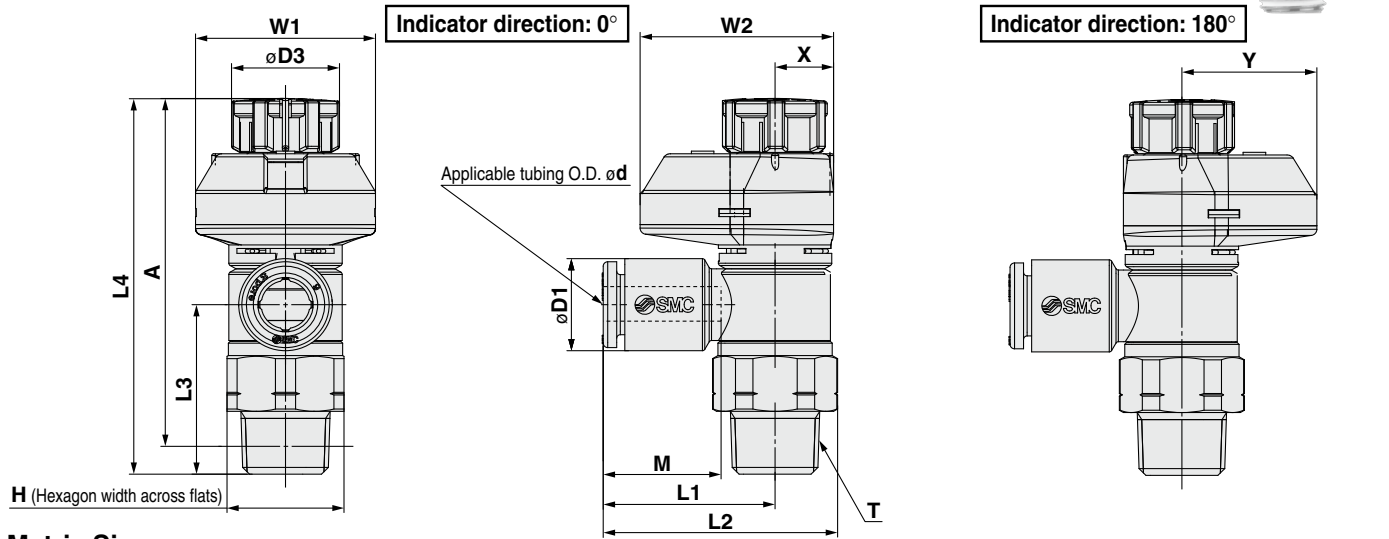
Note 1) Reference dimensions

Note 2) Reference dimensions of threads after installation



Dimensions

Seal method: Sealant
For R, NPT thread



Metric Size

Model	d	T (R, NPT)	H	D1	D3	L1	L2	L3	L4 Note 1)		A Note 2)		M	W1	W2	X	Y	Weight g					
									Unlocked	Locked	Unlocked	Locked											
AS22□1FSG□-01-23(S)	3.2	1/8	13 (12.7)	7.2	12	19.1	26.1 (26)	19.1	43.9	42.4	40.8	39.3	13.3	20	21.5	6.5	15	13 (13)					
AS22□1FSG□-01-04(S)	4			8.2															22.4	29.4 (29.3)	14.2	15 (14)	
AS22□1FSG□-01-06(S)	6			10.4															25.3	32.3 (32.2)	15.6	16 (15)	
AS22□1FSG□-01-08(S)	8			13.2																			
AS22□1FSG□-01-10(S)	10			15.9																			
AS22□1FSG□-02-23(S)	3.2	1/4	17 (17.5)	7.2	13	20.9	30 (30.3)	22.6	49.7	48.3	44.2	42.8	13.3	21.5	24	7.8	16.2	23 (24)					
AS22□1FSG□-02-04(S)	4			8.2															23.4	32.5 (32.8)	14.2	24 (25)	
AS22□1FSG□-02-06(S)	6			10.4															23.9	33 (33.3)	15.6	25 (26)	
AS22□1FSG□-02-08(S)	8			13.2															26.9	36 (36.3)			
AS22□1FSG□-02-10(S)	10			15.9																			
AS32□1FSG□-02-06(S)	6	1/4	19	10.4	16.6	21.8	32.1	36.4	63.1	61.7	57.9	56.5	13.3	24.5	28.5	9.3	19.2	47 (48)					
AS32□1FSG□-02-08(S)	8			13.2															22.7	33	14.2	38 (39)	
AS32□1FSG□-02-10(S)	10			15.9															26.7	37	15.6	50 (51)	
AS32□1FSG□-02-12(S)	12			18.5															29.7	40	17		
AS32□1FSG□-03-06(S)	6			10.4															21.8	32.1	28.7		
AS32□1FSG□-03-08(S)	8	13.2	22.7	33	55.4	54	50.2	48.8	13.3	24.5	28.5	9.3	19.2	38 (39)									
AS32□1FSG□-03-10(S)	10	15.9	26.7	37	28				14.2					29 (40)									
AS32□1FSG□-03-12(S)	12	18.5	29.7	40	26.8				15.6					41 (42)									
AS42□1FSG□-04-10(S)	10	1/2	24 (23.8)	15.9	18.8	27.4	40.3 (40.2)	36.2	64.1	62.5	57	55.4	15.6	26	29	10	19	62 (61)					
AS42□1FSG□-04-12(S)	12			18.5															30.8	43.7 (43.6)	35.1	17	64 (63)
AS42□1FSG□-04-16(S)	16			23.8															34.8	47.7 (47.6)	32.7	20.6	68 (67)

Note 1) Reference dimensions Note 2) Reference dimensions of threads after installation Note 3) () are the dimensions of NPT thread.

Inch Size

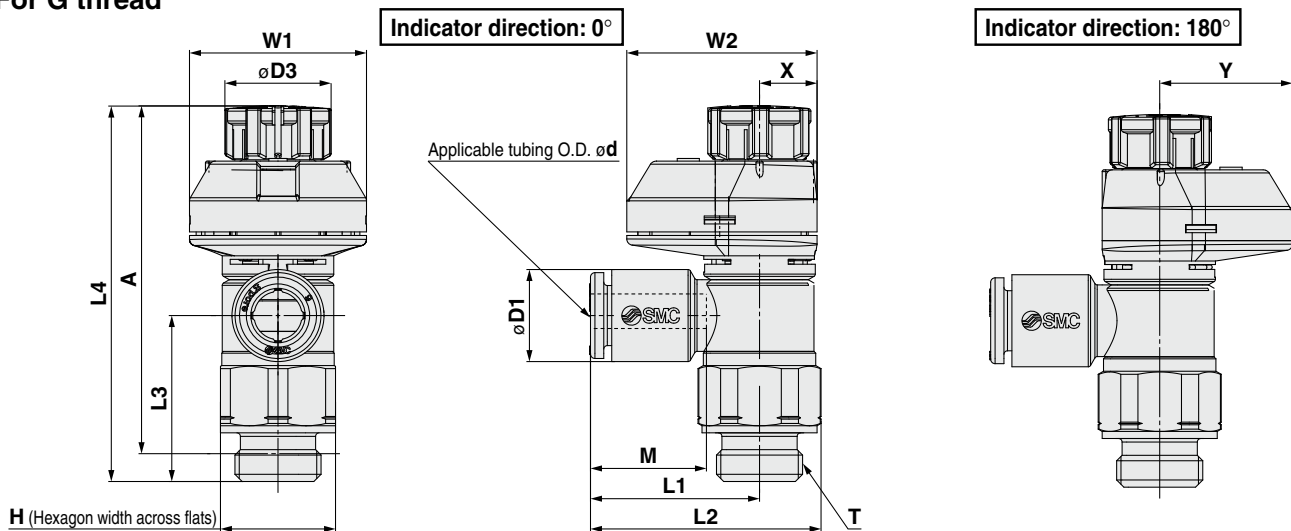
Model	d	T (R, NPT)	H	D1	D3	L1	L2	L3	L4 Note 1)		A Note 2)		M	W1	W2	X	Y	Weight g				
									Unlocked	Locked	Unlocked	Locked										
AS22□1FSG□-01-01(S)	1/8"	1/8	13 (12.7)	7.2	12	19.1	26.1 (26)	19.1	43.8	42.4	40.7	39.3	13.3	20	21.5	6.5	15	13 (13)				
AS22□1FSG□-01-03(S)	5/32"			8.2															20.8	27.8 (27.7)	14.2	14 (13)
AS22□1FSG□-01-07(S)	1/4"			11.2															22.4	29.4 (29.3)	15.6	15 (14)
AS22□1FSG□-01-09(S)	5/16"			13.2																		
AS22□1FSG□-02-01(S)	1/8"			7.2															17 (17.5)	13	20.9	30 (30.3)
AS22□1FSG□-02-03(S)	5/32"	8.2	23.4	32.5 (32.8)	14.2	24 (24)																
AS22□1FSG□-02-07(S)	1/4"	11.2	23.9	33 (33.3)	15.6	24 (25)																
AS22□1FSG□-02-09(S)	5/16"	13.2	26.4	35.5 (35.8)	15.6	25 (26)																
AS22□1FSG□-02-11(S)	3/8"	15.5																				
AS32□1FSG□-02-07(S)	1/4"	11.2	19	16.6	21.8	32.1	28.7	63.1	61.7	57.9	56.5	13.3	24.5	28.5	9.3	19.2	47 (48)					
AS32□1FSG□-02-09(S)	5/16"	13.2																22.7	33	14.2	48 (49)	
AS32□1FSG□-02-11(S)	3/8"	15.5																26.7	37	15.6		
AS32□1FSG□-03-07(S)	1/4"	11.2																21.8	32.1	28.7		
AS32□1FSG□-03-09(S)	5/16"	13.2																22.7	33	55.4	54	50.2
AS32□1FSG□-03-11(S)	3/8"	15.5	26.7	37	28.2				14.2					39 (40)								
AS42□1FSG□-04-11(S)	3/8"	1/2	24 (23.8)	15.5	18.8	27.4	40.3 (40.2)	36.2	64.1	62.5	57	55.4	15.6	26	29	10	19	62 (61)				
AS42□1FSG□-04-13(S)	1/2"			19.3															30.9	43.8 (43.7)	34.7	17

Note 1) Reference dimensions Note 2) Reference dimensions of threads after installation Note 3) () are the dimensions of NPT thread.

Series AS-FSG

Dimensions

Seal method: Face seal
For G thread



Metric Size

Model	d	T	H	D1	D3	L1	L2	L3	L4 Note 1)		A Note 2)		M	W1	W2	X	Y	Weight g
									Unlocked	Locked	Unlocked	Locked						
AS22□1FSG□-G01-23	3.2	1/8	13	7.2	12	19.1	26.1	18.8	43.8	42.4	38.3	36.9	13.3	20	21.5	6.5	15	14
AS22□1FSG□-G01-04	4																	
AS22□1FSG□-G01-06	6																	
AS22□1FSG□-G01-08	8																	
AS22□1FSG□-G01-10	10	1/4	17	15.9	13	20.9	30	22.6	49.7	48.3	43.2	41.8	13.3	21.5	24	7.8	16.2	26
AS22□1FSG□-G02-23	3.2																	
AS22□1FSG□-G02-04	4																	
AS22□1FSG□-G02-06	6																	
AS22□1FSG□-G02-08	8	3/8	21	13.2	16.6	23.4	32.5	22.6	49.7	48.3	43.2	41.8	14.2	21.5	24	7.8	16.2	27
AS22□1FSG□-G02-10	10																	
AS22□1FSG□-G02-06	6																	
AS22□1FSG□-G02-08	8																	
AS22□1FSG□-G02-10	10	1/2	27	15.9	18.8	27.4	41.8	28	63.1	61.7	54.6	53.2	15.6	24.5	28.5	9.3	19.2	28
AS22□1FSG□-G02-10	10																	
AS22□1FSG□-G02-06	6																	
AS22□1FSG□-G02-08	8																	
AS22□1FSG□-G02-10	10	3/8	21	18.5	16.6	26.7	37.9	28	63.1	61.7	54.6	53.2	17	24.5	28.5	9.3	19.2	57
AS22□1FSG□-G02-10	10																	
AS22□1FSG□-G02-06	6																	
AS22□1FSG□-G02-08	8																	
AS22□1FSG□-G02-10	10	1/2	27	18.5	18.8	30.8	45.2	28	64.1	62.5	55.1	53.5	15.6	26	29	10	19	59
AS22□1FSG□-G02-10	10																	
AS22□1FSG□-G02-06	6																	
AS22□1FSG□-G02-08	8																	
AS22□1FSG□-G02-10	10	1/2	27	23.8	18.8	34.8	49.2	32.7	64.1	62.5	55.1	53.5	20.6	26	29	10	19	82
AS22□1FSG□-G02-10	10																	
AS22□1FSG□-G02-06	6																	
AS22□1FSG□-G02-08	8																	
AS22□1FSG□-G02-10	10	1/2	27	23.8	18.8	34.8	49.2	32.7	64.1	62.5	55.1	53.5	20.6	26	29	10	19	86
AS22□1FSG□-G02-10	10																	
AS22□1FSG□-G02-06	6																	
AS22□1FSG□-G02-08	8																	

Note 1) Reference dimensions

Note 2) Reference dimensions of threads after installation

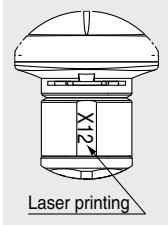
Series AS-FSG

Made to Order

Please contact SMC for detailed dimensions, specifications and delivery.

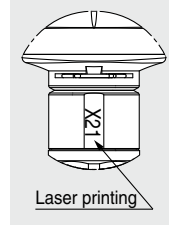


1 Lubricant: Vaseline -X12



Example) AS2201FSG-01-04S-X12

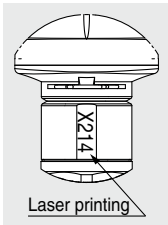
2 Grease-free (Seal: Fluorine-coated) + Restrictor (Without check valve) -X21



Example) AS2201FSG-01-04S-X21

Note 1) Not particle-free
 Note 2) The restrictor is only compatible with the part number of the meter-out type.
 Note 3) Only the needle and O-ring are fluorine-coated.

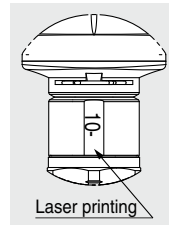
3 Restrictor (Without check valve) -X214



Example) AS2201FSG-01-04S-X214

Note) The restrictor is only compatible with the part number of the meter-out type.

4 Clean Series 10-

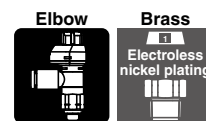


Example) 10-AS2201FSG-01-04S

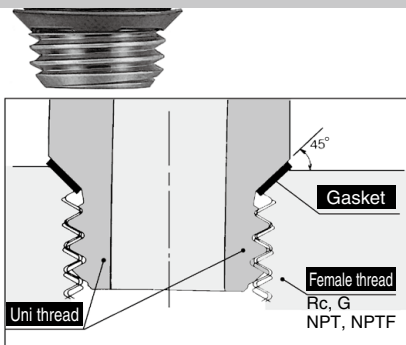
Note 1) Fluorine grease is used.
 Note 2) The particulate generation grade is 3.

AS-FS
 AS-FSG
 Uni-AS-FS

Speed Controller with Indicator/ Elbow Type: Uni Thread Type Series AS-FS



New-stand male threads for piping that reduces the screw-in time by 1/3.



Shape of Uni thread ridge

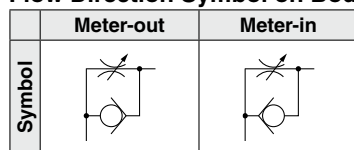
Use of the chamfered surface of the female thread as the seat surface and adoption of gaskets made by laminating NBR on both surfaces of stainless steel plates achieve secure sealing regardless of the difference of diameters due to the female thread type, deviations due to the tolerance, or the size of the chamfered corner.

(Any standard chamfered female thread can be used.)

A ridge shape has been created as a Uni thread for common applications for Rc, G, NPT and NPTF.

The male thread for piping drastically cuts piping man-hours.

Flow Direction Symbol on Body



Caution

Be sure to read this before handling. Refer to the back cover for Safety Instructions. For Flow Control Equipment Precautions, refer to "Handling Precautions for SMC Products" and the Operation Manual on SMC website, <http://www.smcworld.com>

Model

Model	Uni thread port size	Applicable tubing O.D.												
		Metric size						Inch size						
		3.2	4	6	8	10	12	16	1/8"	5/32"	1/4"	5/16"	3/8"	1/2"
AS22□1FS□-U01	1/8	●	●	●	●	●			●	●	●	●		
AS22□1FS□-U02	1/4	●	●	●	●	●			●	●	●	●	●	
AS32□1FS□-U02	1/4			●	●	●	●				●	●	●	
AS32□1FS□-U03	3/8			●	●	●	●				●	●	●	
AS42□1FS□-U04	1/2					●	●	●					●	●

Specifications

Fluid	Air
Proof pressure	1.5 MPa
Max. operating pressure	1 MPa
Min. operating pressure	0.1 MPa
Ambient and fluid temperature	-5 to 60°C (No freezing)
Applicable tubing material	Nylon, Soft nylon, Polyurethane <small>Note)</small>

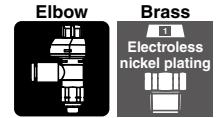
Note) Use caution at the max. operating pressure when using soft nylon or polyurethane tubing. (Refer to the WEB catalog or Best Pneumatics No. 6 for details.)

Flow-rate and Sonic Conductance

Model	AS22□1FS□-U01	AS22□1FS□-U02	AS32□1FS□	AS42□1FS□
Tubing O.D.	Metric size	ø3.2 ø4 ø6 ø8 ø10	ø3.2 ø4 ø6 ø8 ø10	ø6 ø8 ø10 ø12 ø10 ø12 ø16
	Inch size	ø1/8" ø5/32" ø1/4" ø5/16"	ø1/8" ø5/32" — ø1/4" ø5/16" ø3/8"	ø1/4" ø5/16" ø3/8" ø3/8" ø1/2"
C values: Sonic conductance dm ³ /(s·bar)	Free flow	0.4 0.6 0.6 0.7 1.0 1.3 1.5	1.6 1.7 2.5 4.4 4.8	
	Controlled flow	0.4 0.7 0.8 0.6 0.9 1.3	2.1 2.4 3.3 4.4 4.9	
b values: Critical pressure ratio	Free flow	0.2 0.3 0.3 0.4	0.4 0.3 0.3	
	Controlled flow	0.2 0.3 0.3 0.3	0.3 0.3 0.3	

Note) C and b values are for controlled flow with the needle fully open and free flow with the needle fully closed.

Speed Controller with Indicator/Elbow Type Uni Thread Type **Series AS-FS**



How to Order

AS 2 2 0 1 F S - **U01** - **06**

Body size

2	1/8, 1/4
3	3/8
4	1/2

Type

2	Elbow
---	-------

Control type (Note)

0	Meter-out
1	Meter-in

Note) Meter-out and meter-in types can be visually identified by color of the handle.
 Meter-out: Gray
 Meter-in: Light blue

Indicator direction

Nil	0°	
1	180°	

Note) Orientation of indicator direction is fixed when manufacturing, and cannot be changed by the user.

With indicator

Port size

U01	Uni 1/8
U02	Uni 1/4
U03	Uni 3/8
U04	Uni 1/2

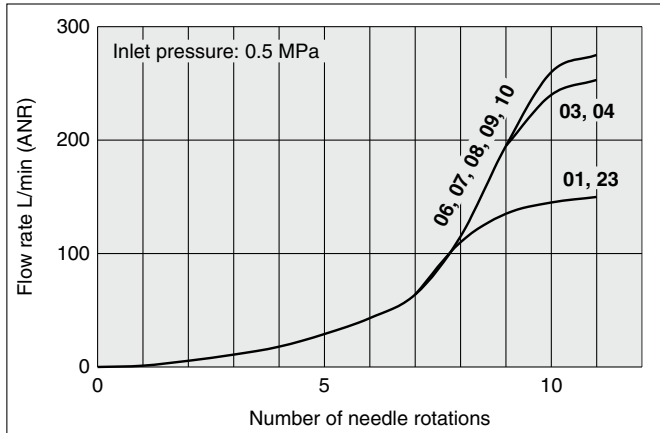
• **Applicable tubing O.D.** (Note 1)

Metric size		Inch size	
Tubing O.D.		Tubing O.D.	
23	ø3.2 (Note 2)	01	ø1/8"
04	ø4	03	ø5/32"
06	ø6	07	ø1/4"
08	ø8	09	ø5/16"
10	ø10	11	ø3/8"
12	ø12	13	ø1/2"
16	ø16		

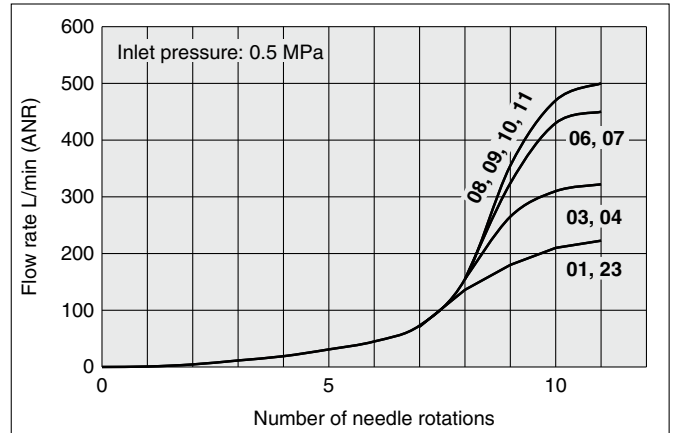
Note 1) For selecting applicable tubing O.D., refer to the "Model" on page 19.
 Metric size and inch size types can be visually identified by color of the release button.
 Metric size: Light gray
 Inch size: Orange
 Note 2) Use ø1/8" tube.

Needle Valve/Flow-rate Characteristics

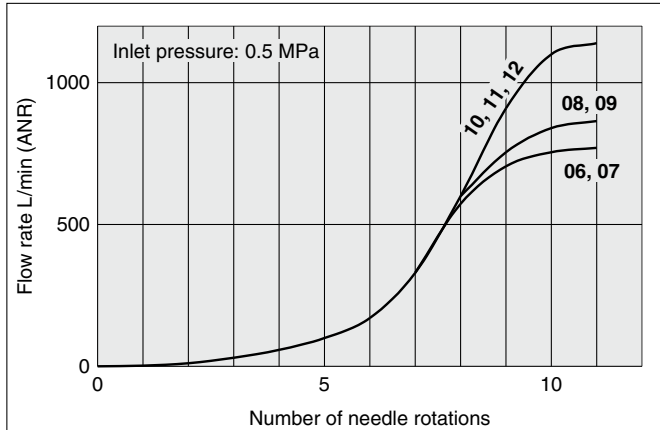
AS2201FS□-U01, AS2211FS□-U01



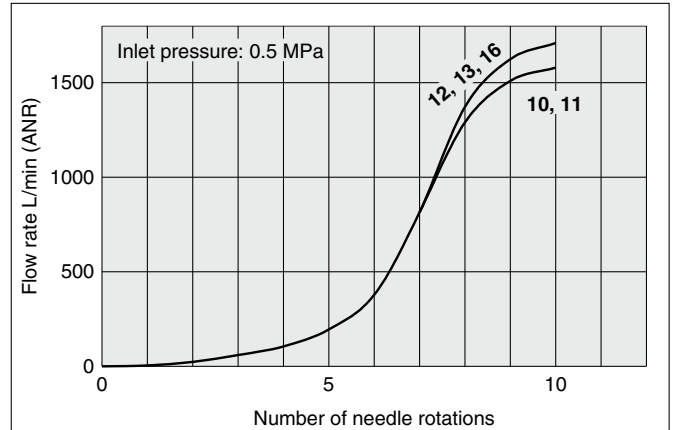
AS2201FS□-U02, AS2211FS□-U02



AS3201FS□, AS3211FS□



AS4201FS□, AS4211FS□



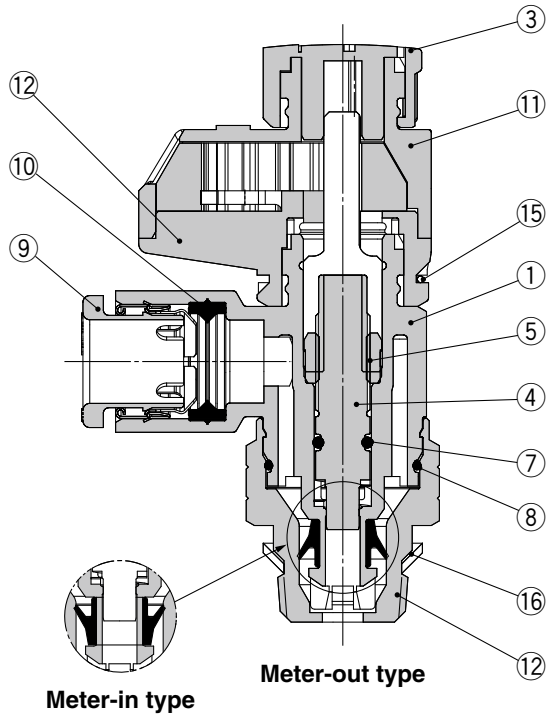
Note) The numbers above the flow-rate characteristic curves in the charts show the applicable tubing outside diameter as defined by the product number.

Series AS-FS

Construction

Elbow type

AS22□1FS□-U01-06A

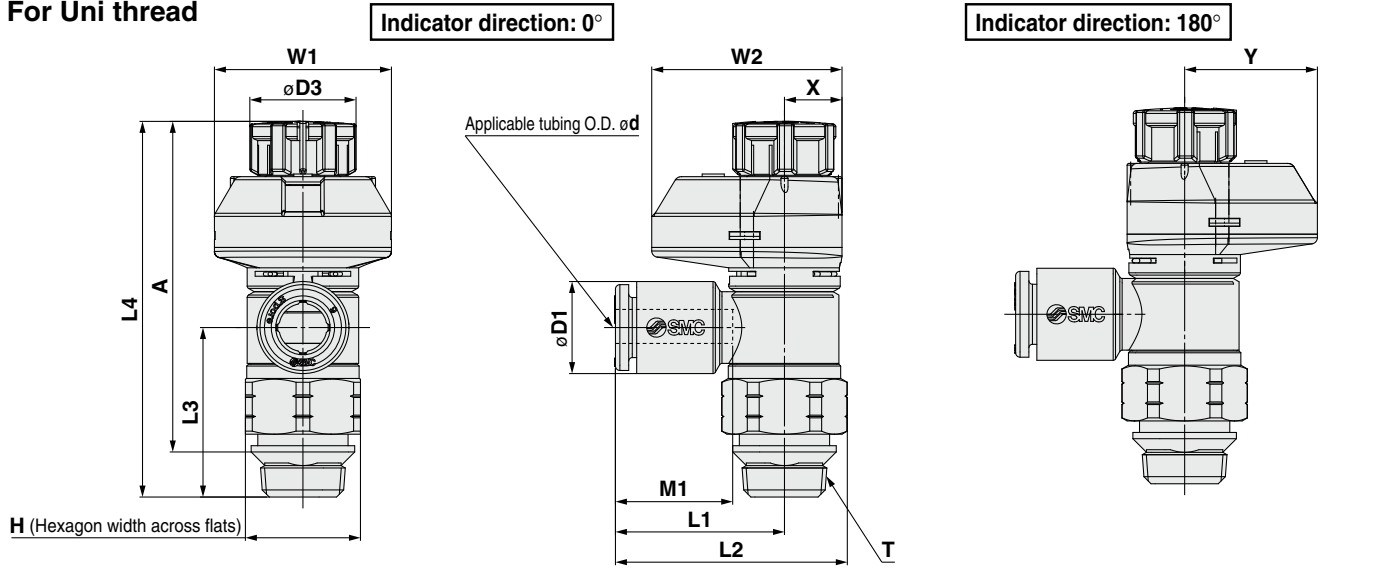


Component Parts

No.	Description	Material	Note
1	Body A	PBT	
2	Body B	Brass	Electroless nickel plating
3	Handle	POM	
4	Needle	PBT	
5	Needle guide	Brass	Electroless nickel plating
6	U seal	HNBR	
7	O-ring	NBR	
8	O-ring	NBR	
9	Cassette	—	
10	Seal	NBR	
11	Bonnet A	POM	
12	Bonnet B	POM	
13	Gear	POM	
14	Indicator gear	POM	
15	Clip	Stainless steel	
16	Gasket	NBR/Stainless steel	

Dimensions

Seal method: Gasket seal
For Uni thread



Metric Size

Model	d	T	H	D1	D3	L1	L2	L3	L4 Note 1)		A Note 2)		M	W1	W2	X	Y	Weight g					
									Unlocked	Locked	Unlocked	Locked											
AS22□1FS□-U01-23	3.2	1/8	13 (12.7)	7.2	12	19.1	26.1 (26)	19.1	43.9	42.4	40.8	39.3	13.3	20	21.5	6.5	15	13 (13)					
AS22□1FS□-U01-04	4			8.2															22.4	29.4 (29.3)	14.2	15 (14)	
AS22□1FS□-U01-06	6			10.4															25.3	32.3 (32.2)	15.6	16 (15)	
AS22□1FS□-U01-08	8			13.2																			
AS22□1FS□-U01-10	10	15.9																16 (15)					
AS22□1FS□-U02-23	3.2	1/4	17 (17.5)	7.2	13	20.9	30 (30.3)	22.6	49.7	48.3	44.2	42.8	13.3	21.5	24	7.8	16.2	24 (25)					
AS22□1FS□-U02-04	4			8.2															23.4	32.5 (32.8)	14.2	25 (26)	
AS22□1FS□-U02-06	6			10.4															23.9	33 (33.3)	15.6	26 (27)	
AS22□1FS□-U02-08	8			13.2															26.9	36 (36.3)			
AS22□1FS□-U02-10	10	15.9																26 (27)					
AS32□1FS□-U02-06	6	1/4	19	10.4	16.6	21.8	32.1	36.4	63.1	61.7	57.9	56.5	13.3	24.5	28.5	9.3	19.2	47 (48)					
AS32□1FS□-U02-08	8			13.2															22.7	33	14.2	48 (49)	
AS32□1FS□-U02-10	10			15.9															26.7	37	15.6	50 (51)	
AS32□1FS□-U02-12	12			18.5															29.7	40	17		
AS32□1FS□-U03-06	6	3/8	19	10.4	16.6	21.8	32.1	28.7	55.4	54	50.2	48.8	13.3	24.5	28.5	9.3	19.2	36 (37)					
AS32□1FS□-U03-08	8			13.2															22.7	33	14.2	39 (40)	
AS32□1FS□-U03-10	10			15.9															26.7	37	15.6	41 (42)	
AS32□1FS□-U03-12	12			18.5															29.7	40	17		
AS42□1FS□-U04-10	10	1/2	24 (23.8)	15.9	18.8	27.4	40.3 (40.2)	36.2	64.1	62.5	57	55.4	15.6	26	29	10	19	60 (59)					
AS42□1FS□-U04-12	12			18.5															30.8	43.7 (43.6)	35.1	17	62 (61)
AS42□1FS□-U04-16	16			23.8															34.8	47.7 (47.6)	32.7	20.6	66 (65)

Note 1) Reference dimensions Note 2) Reference dimensions of threads after installation Note 3) () are the dimensions of NPT thread.

Inch Size

Model	d	T	H	D1	D3	L1	L2	L3	L4 Note 1)		A Note 2)		M	W1	W2	X	Y	Weight g				
									Unlocked	Locked	Unlocked	Locked										
AS22□1FS□-U01-01	1/8"	1/8	13 (12.7)	7.2	12	19.1	26.1 (26)	19.1	43.8	42.4	40.7	39.3	13.3	20	21.5	6.5	15	13 (13)				
AS22□1FS□-U01-03	5/32"			8.2															20.8	27.8 (27.7)	14.2	14 (13)
AS22□1FS□-U01-07	1/4"			11.2															22.4	29.4 (29.3)	15.6	15 (14)
AS22□1FS□-U01-09	5/16"			13.2																		
AS22□1FS□-U02-01	1/8"	1/4	17 (17.5)	7.2	13	20.9	30 (30.3)	22.6	49.7	48.3	44.2	42.8	13.3	21.5	24	7.8	16.2	23 (24)				
AS22□1FS□-U02-03	5/32"			8.2															23.4	32.5 (32.8)	14.2	24 (24)
AS22□1FS□-U02-07	1/4"			11.2															23.9	33 (33.3)	15.6	24 (25)
AS22□1FS□-U02-09	5/16"			13.2															26.4	35.5 (35.8)	17	25 (26)
AS22□1FS□-U02-11	3/8"	15.5																25 (26)				
AS32□1FS□-U02-07	1/4"	3/8	19	11.2	16.6	21.8	32.1	28.7	63.1	61.7	57.9	56.5	13.3	24.5	28.5	9.3	19.2	47 (48)				
AS32□1FS□-U02-09	5/16"			13.2															22.7	33	14.2	48 (49)
AS32□1FS□-U02-11	3/8"			15.5															26.7	37	15.6	50 (51)
AS32□1FS□-U03-07	1/4"			11.2															21.8	32.1	28.7	
AS32□1FS□-U03-09	5/16"	3/8	19	13.2	16.6	22.7	33	28.7	55.4	54	50.2	48.8	13.3	24.5	28.5	9.3	19.2	36 (37)				
AS32□1FS□-U03-09	5/16"			13.2															22.7	33	14.2	37 (38)
AS32□1FS□-U03-11	3/8"			15.5															26.7	37	15.6	
AS42□1FS□-U04-11	3/8"	1/2	24 (23.8)	15.5	18.8	27.4	40.3 (40.2)	36.2	64.1	62.5	57	55.4	15.6	26	29	10	19	60 (59)				
AS42□1FS□-U04-13	1/2"			19.3															30.9	43.8 (43.7)	34.7	17

Note 1) Reference dimensions Note 2) Reference dimensions of threads after installation Note 3) () are the dimensions of NPT thread.



Series AS-FS

Specific Product Precautions 1

Be sure to read this before handling. Refer to the back cover for Safety Instructions. For Flow Control Equipment Precautions, refer to “Handling Precautions for SMC Products” and the Operation Manual on SMC website, <http://www.smcworld.com>

Design and Selection

⚠ Warning

1. Check the specifications.

The products in this catalog are designed to be used in compressed air systems (including vacuum) only.

If the products are used in an environment where pressure or temperature is out of the specified range, damage and/or malfunction may result. Do not use under such conditions. (Refer to the specifications.)

Please contact SMC when using a fluid other than compressed air (including vacuum).

We do not guarantee against any damage if the product is used outside of the specification range.

2. The products in this catalog are not designed for the use as stop valve with zero air leakage.

A certain amount of leakage is allowed in the product's specifications.

Tightening the needle to reduce leakage to zero may result in equipment damage.

3. Do not disassemble the product or make any modifications, including additional machining.

It may cause human injury and/or an accident.

4. The flow-rate characteristics for each product are representative values.

The flow-rate characteristics are characteristics of each individual product. Actual values may differ depending on the piping, circuitry, pressure conditions, etc.

5. Sonic conductance (C) and critical pressure ratio (b) values for products are representative values.

The speed controller's controlled flow values are with the needle fully open and free flow with the needle fully closed.

6. Check if PTFE can be used in application.

PTFE powder (Polytetrafluoroethylene resin) is included in the seal material for piping taper thread of male thread type. Confirm that the use of it will not cause any adverse effect on the system.

Please contact SMC if the Material Safety Data Sheet (MSDS) is required.

Mounting

⚠ Warning

1. Operation Manual

Install the products and operate them only after reading the Operation Manual carefully and understanding its contents. Also, keep the Operation Manual where it can be referred to as necessary.

2. Ensure sufficient space for maintenance activities.

When installing the products, allow access for maintenance.

3. Tighten threads with the proper tightening torque.

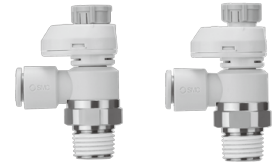
When installing the products, follow the listed proper torque.

Mounting

⚠ Warning

4. After pushing the handle down to lock, confirm that it is locked.

It should not be possible to rotate the handle to the right or to the left. If the handle is pulled with force, it may break. Do not pull the handle with excessive force.



Locked

Unlocked

5. Check the degree of rotation of the needle valve.

The products in this catalog are retainer type so that the needle is not removed completely. Over rotation will cause damage.

6. Do not use tools such as pliers to rotate the handle.

It can cause idle rotation of the handle or damage.

7. Verify the air flow direction.

Mounting backward is dangerous, because the speed adjustment needle will not work and the actuator may lurch suddenly.

8. Adjust the speed by opening the needle slowly from the fully closed state.

Loose needle valves may cause unexpected sudden actuator lurching.

When a needle valve is turned clockwise, it is closed and actuator speed decreases. When a needle valve is turned counter-clockwise, it is open and actuator speed increases.

9. Do not apply excessive force or shock to the body or fittings with an impact tool.

It can cause damage or air leakage.

10. Refer to the Fittings & Tubing Precautions in the Best Pneumatics No. 6 catalog for handling One-touch fittings.

11. Tubing O.D. $\varnothing 2$

Tubing other than that from SMC cannot be used, because it may result in inability to connect the tube, air leakage after connecting the tube or disconnection of the tube.

12. To install/remove the product, use an appropriate wrench to tighten/loosen at the supplied nut on body B.

Do not apply torque at other points as the product may be damaged. Rotate body A manually for positioning after installation.



Series AS-FS Specific Product Precautions 2

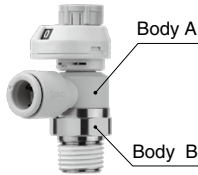
Be sure to read this before handling. Refer to the back cover for Safety Instructions. For Flow Control Equipment Precautions, refer to “Handling Precautions for SMC Products” and the Operation Manual on SMC website, <http://www.smcworld.com>

Mounting

Warning

13. Do not use body A for applications involving continuous rotation.

Body A and the fitting section may be damaged.



Caution

For M5, 10-32UNF

Tightening method

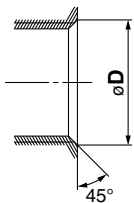
First, tighten it by hand, then give it an additional 1/6 turn to 1/4 turn with a wrench. A reference value for the tightening torque is 1 to 1.5 N·m.

Note) Excessive tightening may damage the thread portion or deform the gasket and cause air leakage.

If the screw is too shallowly screwed in, it may come loose or air may leak.

Chamfered area for female thread

1. Confirming to ISO 16030 (air pressure fluid dynamics – connection – ports and stud ends), the chamfered dimensions shown in the table below are recommended.



Female thread port size	Chamfered dimension ϕD (Recommended value)
M5	5.1 to 5.4
10-32UNF	5.0 to 5.3

For R, NPT Thread (With sealant)

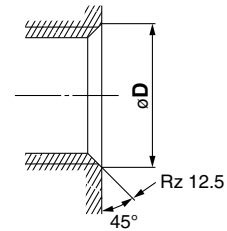
Tightening method

1. The proper tightening torques of the fittings are as shown in the table below. As a guide, tighten by hand, then turn it two or three turns with a wrench. Check the dimensions of each product for the hexagon width across flats.

Connection thread port size	Proper tightening torque (N·m)
NPT, R1/8	3 to 5
NPT, R1/4	8 to 12
NPT, R3/8	15 to 20
NPT, R1/2	20 to 25

Chamfered area for female thread

By chamfering as shown in the table below, machining of threads is easier and effective for burr prevention.



Connection thread port size	Chamfered dimension ϕD (Recommended value)	
	Rc	NPT, NPTF
1/8	10.2 to 10.4	10.5 to 10.7
1/4	13.6 to 13.8	14.1 to 14.3
3/8	17.1 to 17.3	17.4 to 17.6
1/2	21.4 to 21.6	21.7 to 21.9

* For Uni thread, Rz 12.5 is necessary for sealing at the chamfered part.



Series AS-FS Specific Product Precautions 3

Be sure to read this before handling. Refer to the back cover for Safety Instructions. For Flow Control Equipment Precautions, refer to “Handling Precautions for SMC Products” and the Operation Manual on SMC website, <http://www.smcworld.com>

Mounting

⚠ Caution

For G Thread (Face seal type)

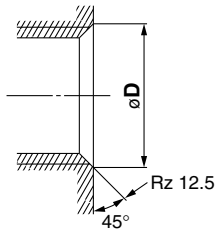
Tightening method

First, tighten the threaded portion by hand, then use a proper wrench, which could be suitable for the width across flats of the hexagon body, to tighten it further at a wrench tightening angle shown in the table below. For a tightening torque guide, refer to the table below. Check the dimensions of each product for the hexagon width across flats.

Connection thread port size	Wrench tightening angle after tightened by hand (deg)	Proper tightening torque (N·m)
G1/8	10 to 20	3 to 4
G1/4	15 to 35	4 to 5
G3/8	15 to 35	8 to 9
G1/2	15 to 35	14 to 15

Chamfered area for female thread (Recommended value)

- Confirming to 16030-2001, the chamfered dimensions shown in the table below are recommended. By chamfering as shown in the table below, machining of threads is easier and effective for burr prevention.



Nominal thread port size	Chamfered dimension øD	
	Min.	Max.
1/8	9.8	10.2
1/4	13.3	13.7
3/8	16.8	17.2
1/2	21.0	21.4

- Use G external threads with G internal threads.

For Uni Thread

Tightening method

- First, tighten the threaded portion by hand, then use a proper wrench, which could be suitable for the width across flats of the hexagon body, to tighten it further at a wrench tightening angle shown in the table below. For a tightening torque guide, refer to the table below.

Connection Female Thread: Rc, NPT, NPTF

Uni thread port size	Wrench tightening angle after tightened by hand (deg)	Tightening torque (N·m)
1/8	30 to 60	3 to 5
1/4	30 to 60	8 to 12
3/8	15 to 45	14 to 16
1/2	15 to 30	20 to 22

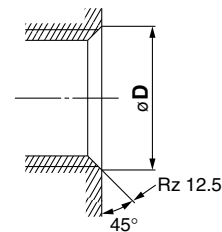
Connection Female Thread: G

Uni thread port size	Wrench tightening angle after tightened by hand (deg)	Tightening torque (N·m)
1/8	30 to 45	3 to 4
1/4	15 to 30	4 to 5
3/8	15 to 30	8 to 9
1/2	15 to 30	14 to 15

- The gasket can be reused up to 6 to 10 times.

Chamfered area for female thread

By chamfering as shown in the table below, machining of threads is easier and effective for burr prevention.



Connection thread port size	Chamfered dimension øD (Recommended value)		
	G	Rc	NPT, NPTF
1/8	10.2 to 10.6	10.2 to 10.4	10.5 to 10.7
1/4	13.6 to 14.0	13.6 to 13.8	14.1 to 14.3
3/8	17.1 to 17.5	17.1 to 17.3	17.4 to 17.6
1/2	21.4 to 21.8	21.4 to 21.6	21.7 to 21.9

- * For Uni thread, Rz 12.5 is necessary for sealing at the chamfered part.



Series AS-FS Specific Product Precautions 4

Be sure to read this before handling. Refer to the back cover for Safety Instructions. For Flow Control Equipment Precautions, refer to “Handling Precautions for SMC Products” and the Operation Manual on SMC website, <http://www.smcworld.com>

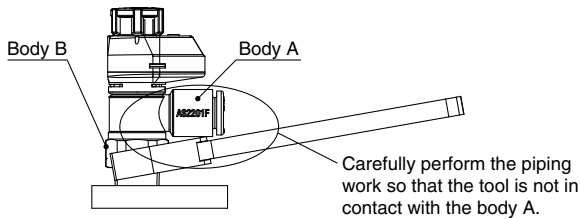
Mounting

⚠ Caution

1. This product has a stopper for fully close in rotating direction. Excess torque may break the stopper. Table below shows the maximum allowable torque of the handle.

Body size	Maximum allowable torque (N·m)
M5	0.05
1/8	0.07
1/4	0.16
3/8	0.2
1/2	0.4

When performing the piping work, turn the tightening tool in the horizontal direction to the hexagon across flats of the body B so that any moment is not applied to the body A. If the tool is in contact with the body A, this may cause the body B to come off.



2. Actuator speed needs to be checked each time the setting is changed.

Individual product difference due to tolerance of the components, individual actuator difference, operating conditions and temperature, etc. may cause a large variation in the actuator speed, and for this reason, the final actuator speed needs to be checked every time the setting is changed.

3. Force for lifting the handle is specified as shown in the table below.

Larger lifting force than specified in the table below will cause removal of the handle, flow rate not according to the flow-rate characteristics curve, incorrect flow indication with the indicator or damage to the product.

Port size	Handle lifting force
M5 10-32/UNF	1 to 1.5 N
1/8, 1/4, 3/8, 1/2	3.5 to 4 N

4. Do not rotate the product by the indicator part.

Use a wrench for mounting the product. Otherwise, it may cause damage to the product.

Piping Threads with Sealant

⚠ Caution

1. If the fitting is tightened with excessive torque, a large amount of sealant will seep out. Remove the excess sealant.
2. Insufficient tightening may loosen the threads, or cause air leakage.
3. Reuse
 - 1) Normally, fittings with a sealant can be reused 2 to 3 times.
 - 2) To prevent air leakage through the sealant, remove any loose sealant stuck to the fitting by blowing air over the threaded portion.
 - 3) If the sealant no longer provides effective sealing, wrap sealing tape over the sealant before reusing. Do not use the sealant in any form other than a tape type.
4. Once the fitting has been tightened, backing it out to its original position often causes the sealant to become defective. Air leakage will occur.
5. Use R external threads with Rc internal threads and NPT external threads with NPT internal threads.

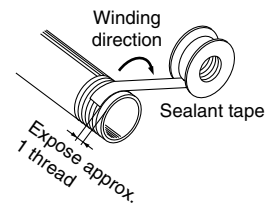
Piping

⚠ Caution

1. Refer to the Fittings & Tubing Precautions in the Best Pneumatics No. 6 catalog for handling One-touch fittings.
2. Preparation before piping


Before piping is connected, it should be thoroughly blown out with air (flushing) or washed to remove chips, cutting oil and other debris from inside the pipe.
3. Wrapping of sealant tape


When screwing together pipes and fittings, etc., be certain that chips from the pipe threads and sealing material do not get inside the pipe. Also, when the sealant tape is used, leave approx. 1 thread ridge exposed at the end of the threads.




Safety Instructions

These safety instructions are intended to prevent hazardous situations and/or equipment damage. These instructions indicate the level of potential hazard with the labels of “**Caution**,” “**Warning**” or “**Danger**.” They are all important notes for safety and must be followed in addition to International Standards (ISO/IEC)*1, and other safety regulations.

 **Caution:** **Caution** indicates a hazard with a low level of risk which, if not avoided, could result in minor or moderate injury.

 **Warning:** **Warning** indicates a hazard with a medium level of risk which, if not avoided, could result in death or serious injury.

 **Danger :** **Danger** indicates a hazard with a high level of risk which, if not avoided, will result in death or serious injury.

- *1) ISO 4414: Pneumatic fluid power – General rules relating to systems.
ISO 4413: Hydraulic fluid power – General rules relating to systems.
IEC 60204-1: Safety of machinery – Electrical equipment of machines.
(Part 1: General requirements)
ISO 10218-1: Manipulating industrial robots – Safety.
etc.

Warning

1. The compatibility of the product is the responsibility of the person who designs the equipment or decides its specifications.

Since the product specified here is used under various operating conditions, its compatibility with specific equipment must be decided by the person who designs the equipment or decides its specifications based on necessary analysis and test results. The expected performance and safety assurance of the equipment will be the responsibility of the person who has determined its compatibility with the product. This person should also continuously review all specifications of the product referring to its latest catalog information, with a view to giving due consideration to any possibility of equipment failure when configuring the equipment.

2. Only personnel with appropriate training should operate machinery and equipment.

The product specified here may become unsafe if handled incorrectly. The assembly, operation and maintenance of machines or equipment including our products must be performed by an operator who is appropriately trained and experienced.

3. Do not service or attempt to remove product and machinery/equipment until safety is confirmed.

1. The inspection and maintenance of machinery/equipment should only be performed after measures to prevent falling or runaway of the driven objects have been confirmed.
2. When the product is to be removed, confirm that the safety measures as mentioned above are implemented and the power from any appropriate source is cut, and read and understand the specific product precautions of all relevant products carefully.
3. Before machinery/equipment is restarted, take measures to prevent unexpected operation and malfunction.

4. Contact SMC beforehand and take special consideration of safety measures if the product is to be used in any of the following conditions.

1. Conditions and environments outside of the given specifications, or use outdoors or in a place exposed to direct sunlight.
2. Installation on equipment in conjunction with atomic energy, railways, air navigation, space, shipping, vehicles, military, medical treatment, combustion and recreation, or equipment in contact with food and beverages, emergency stop circuits, clutch and brake circuits in press applications, safety equipment or other applications unsuitable for the standard specifications described in the product catalog.
3. An application which could have negative effects on people, property, or animals requiring special safety analysis.
4. Use in an interlock circuit, which requires the provision of double interlock for possible failure by using a mechanical protective function, and periodical checks to confirm proper operation.

Caution

1. The product is provided for use in manufacturing industries.

The product herein described is basically provided for peaceful use in manufacturing industries.

If considering using the product in other industries, consult SMC beforehand and exchange specifications or a contract if necessary.

If anything is unclear, contact your nearest sales branch.

Limited warranty and Disclaimer/ Compliance Requirements

The product used is subject to the following “Limited warranty and Disclaimer” and “Compliance Requirements”.

Read and accept them before using the product.

Limited warranty and Disclaimer

1. The warranty period of the product is 1 year in service or 1.5 years after the product is delivered, whichever is first.*2)
Also, the product may have specified durability, running distance or replacement parts. Please consult your nearest sales branch.
2. For any failure or damage reported within the warranty period which is clearly our responsibility, a replacement product or necessary parts will be provided.
This limited warranty applies only to our product independently, and not to any other damage incurred due to the failure of the product.
3. Prior to using SMC products, please read and understand the warranty terms and disclaimers noted in the specified catalog for the particular products.

*2) Vacuum pads are excluded from this 1 year warranty.

A vacuum pad is a consumable part, so it is warranted for a year after it is delivered. Also, even within the warranty period, the wear of a product due to the use of the vacuum pad or failure due to the deterioration of rubber material are not covered by the limited warranty.

Compliance Requirements

1. The use of SMC products with production equipment for the manufacture of weapons of mass destruction (WMD) or any other weapon is strictly prohibited.
2. The exports of SMC products or technology from one country to another are governed by the relevant security laws and regulations of the countries involved in the transaction. Prior to the shipment of a SMC product to another country, assure that all local rules governing that export are known and followed.

Revision history

- Edition B**
- * Stainless steel type added.
 - * G thread/Uni thread types added.
 - * Made to Order added.
 - * Variation/AS32□1FS□-□02 added.
 - * Needle guide material changed.
 - * AS12□1FS-M5E, U10/32E added.
 - * Number of pages increased from 12 to 28.

SR

Safety Instructions

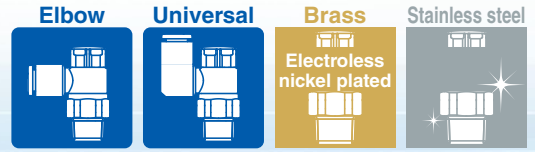
Be sure to read “Handling Precautions for SMC Products” (M-E03-3) before using.

Speed Controller with One-touch Fitting

Reduces labor time!

RoHS

New

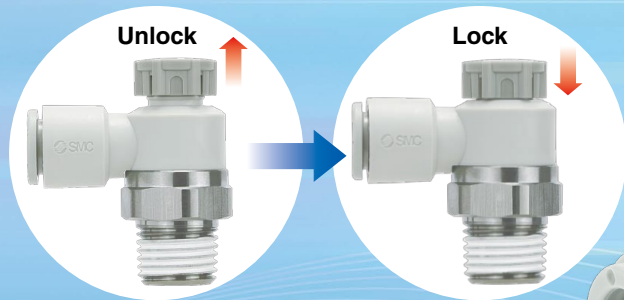


Easy to use

Push-lock type

Larger knob

• Easy to lock

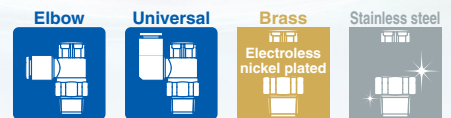
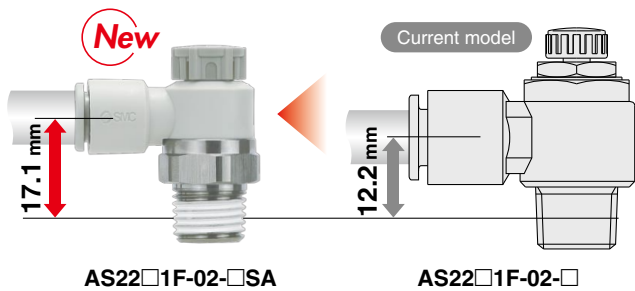


Body size	ØD [mm]
1	9.4
2	12 (Port size 1/8)
	13 (Port size 1/4)
3	16.6
4	18.8

Improved tube insertion/removal



More space beneath the tube. Easier installation/removal of the tube.



	Elbow	Universal	Brass Electroless nickel plated	Stainless steel
Sealant/Gasket seal M/UNF/R/NPT	P.5	P.5	P.5	P.14
Face seal R/NPT/G <i>New</i>	P.27	P.27	P.27	P.14
		* Only G thread		* Only G thread
Gasket seal	P.35	P.35	P.35	
Uni				

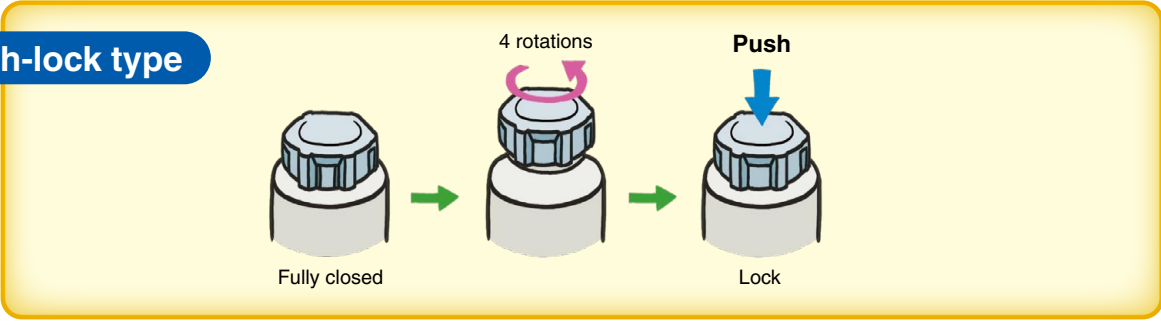
Series AS



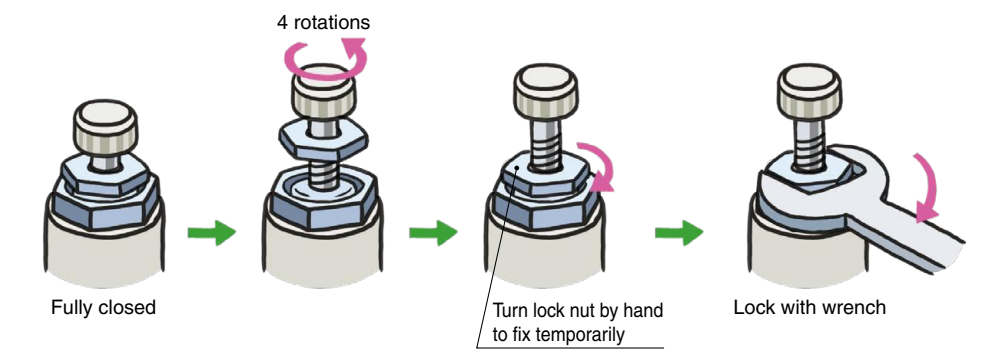
CAT.ES20-220D

Easy tool-less one push-lock

Push-lock type



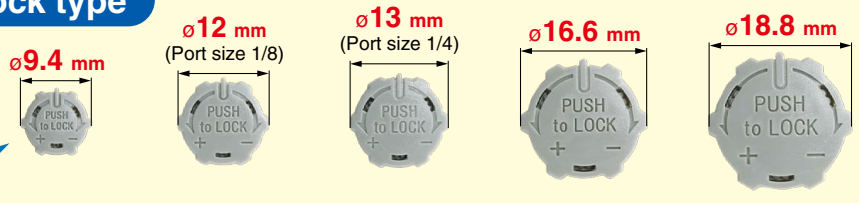
Current model



Easy to turn large knob

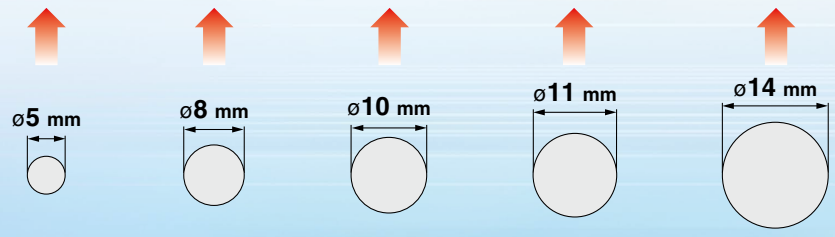
Push-lock type

Actual size



Easy to turn large knob
Easy to make fine adjustments

Current model



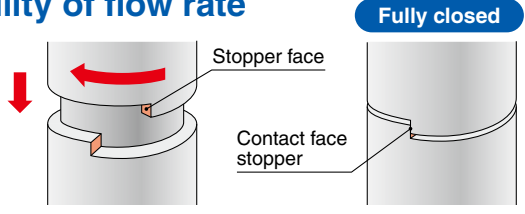
Hard to hold small knob
Hard to make fine adjustments

Flow rate reproducibility



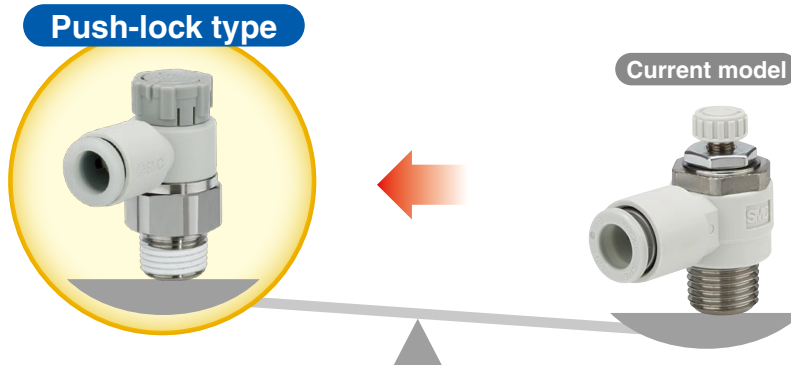
Improved reproducibility of flow rate

Stable knob position when fully closed (no flow rate) onto the contact face stopper (rotating stopper). Small variations in flow rate depending on the number of knob rotations



Lightweight

Weight
Up to approx.
50% lighter

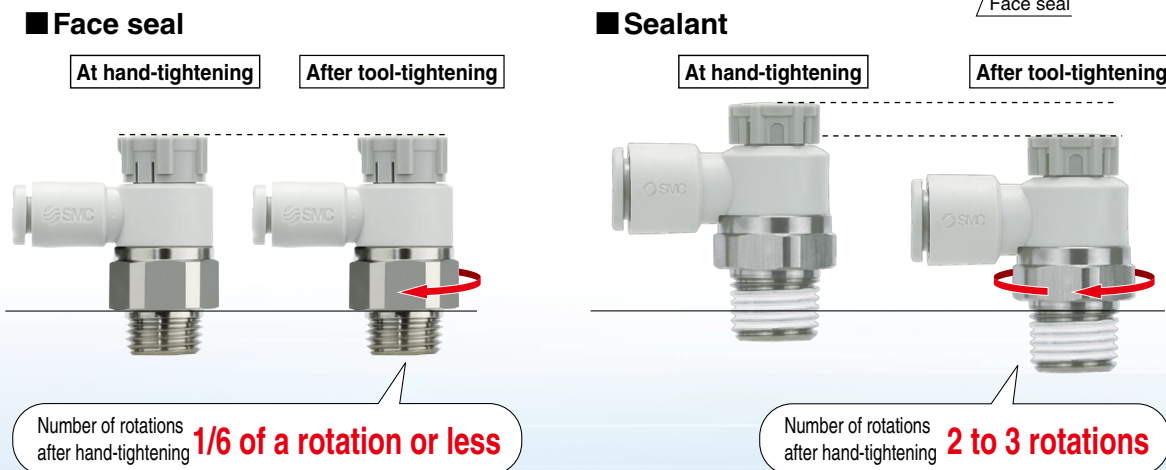


Tubing O.D.	Thread	Part no.	Weight
ø6	1/4	AS22□1F-02-06A	18 g
ø12	1/2	AS42□1F-04-12A	56 g

Tubing O.D.	Thread	Part no.	Weight
ø6	1/4	AS22□1F-02-06	32 g
ø12	1/2	AS42□1F-04-12	101 g

New Face seal adopted for threading

- Improved installability (Reduced tool-tightening after hand-tightening)



- Prevention of sealant residue/protrusion

Current sealant type leaves residue and protrudes out from the threading when installing, making it necessary to clear away the residue using an air blower or similar. However, no residue is created when using a face seal.

- Re-piping is possible.

Face seal

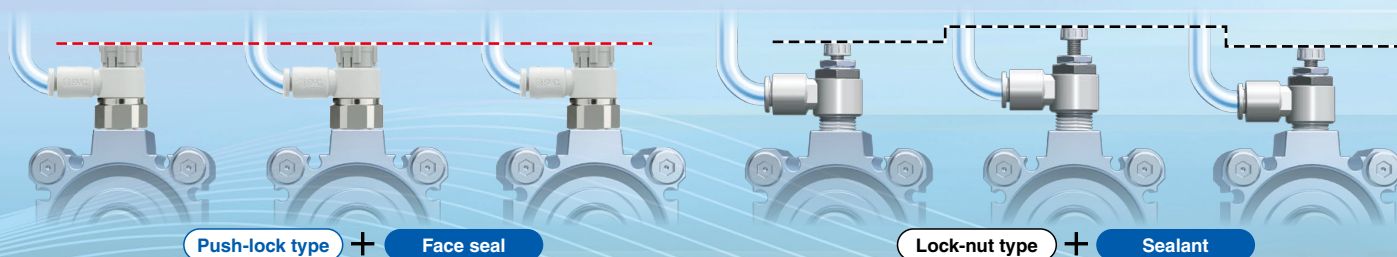
Repeated re-piping some 6 to 10 times is possible due to use of elastic sealant on seating.

Sealant

Sealant tape is necessary because sealant becomes separated with repeated installation.





Uniform height

Uneven heights due to thread and needle variations





Series Variations

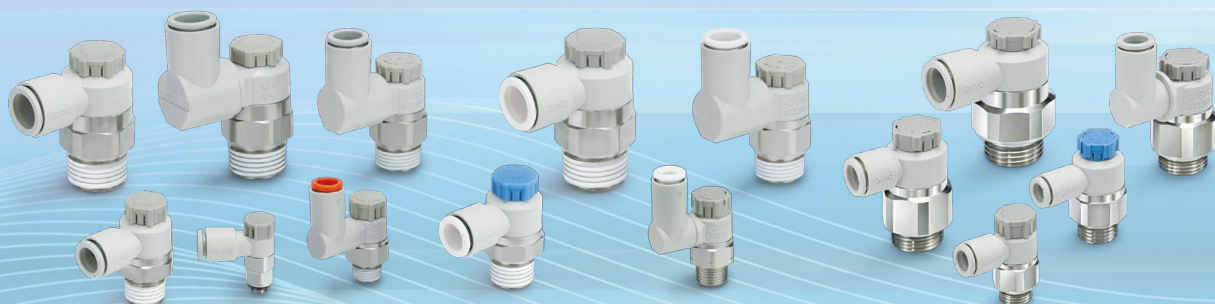
⊙ Electroless nickel plating type is standardized. ⊙ Stainless steel type is standardized. ⊙ G thread (Face seal) is standardized.

Seal method	Body size	Port size	Applicable tubing O.D.										Metal parts material	Applicable tubing material	Page				
			Metric size						Inch size										
			2	3.2	4	6	8	10	12	16	1/8"	5/32"				1/4"	5/16"	3/8"	1/2"
 Gasket seal	1	M5 x 0.8	⊙ ^{*2}	⊙	⊙	⊙	⊙	⊙	⊙	⊙	⊙	⊙	⊙	⊙	⊙	⊙	-Brass/ Steel wire	Nylon (Series T, TIA)	P.5 (Brass/ Steel wire)
		10-32UNF	⊙ ^{*2}	⊙	⊙	⊙	⊙	⊙	⊙	⊙	⊙	⊙	⊙	⊙	⊙	⊙			
 Sealant ^{*1}	2	R 1/8	⊙	⊙	⊙	⊙	⊙	⊙	⊙	⊙	⊙	⊙	⊙	⊙	⊙	⊙	-Stainless steel	Soft nylon (Series TS, TISA)	P.14 (Stainless steel)
		R 1/4	⊙	⊙	⊙	⊙	⊙	⊙	⊙	⊙	⊙	⊙	⊙	⊙	⊙	⊙			
	NPT	1/4	⊙	⊙	⊙	⊙	⊙	⊙	⊙	⊙	⊙	⊙	⊙	⊙	⊙	⊙			
		3/8	⊙	⊙	⊙	⊙	⊙	⊙	⊙	⊙	⊙	⊙	⊙	⊙	⊙	⊙			
 Face seal	2	G 1/8	⊙	⊙	⊙	⊙	⊙	⊙	⊙	⊙	⊙	⊙	⊙	⊙	⊙	⊙			
		G 1/4	⊙	⊙	⊙	⊙	⊙	⊙	⊙	⊙	⊙	⊙	⊙	⊙	⊙	⊙			
	NPT	1/2	⊙	⊙	⊙	⊙	⊙	⊙	⊙	⊙	⊙	⊙	⊙	⊙	⊙	⊙			
		3/8	⊙	⊙	⊙	⊙	⊙	⊙	⊙	⊙	⊙	⊙	⊙	⊙	⊙	⊙			
	R	1/8	⊙	⊙	⊙	⊙	⊙	⊙	⊙	⊙	⊙	⊙	⊙	⊙	⊙	⊙			
		1/4	⊙	⊙	⊙	⊙	⊙	⊙	⊙	⊙	⊙	⊙	⊙	⊙	⊙	⊙			
	NPT	1/2	⊙	⊙	⊙	⊙	⊙	⊙	⊙	⊙	⊙	⊙	⊙	⊙	⊙	⊙			
		3/8	⊙	⊙	⊙	⊙	⊙	⊙	⊙	⊙	⊙	⊙	⊙	⊙	⊙	⊙			
 Gasket seal	2	Uni 1/8	⊙	⊙	⊙	⊙	⊙	⊙	⊙	⊙	⊙	⊙	⊙	⊙	⊙	-Brass/ Steel wire	Fluororesin (Series TLM, TILM) (Series TH, TIH)	P.27	
		Uni 1/4	⊙	⊙	⊙	⊙	⊙	⊙	⊙	⊙	⊙	⊙	⊙	⊙	⊙				
	Uni	3/8	⊙	⊙	⊙	⊙	⊙	⊙	⊙	⊙	⊙	⊙	⊙	⊙	⊙				
		1/2	⊙	⊙	⊙	⊙	⊙	⊙	⊙	⊙	⊙	⊙	⊙	⊙	⊙				

*1 "Without sealant" type can be selected as a standard option. *2 Universal type is not available.

Easy identification of product type

Series	Release button color			
	Meter-out	Meter-in	Metric	Inch
 Brass	Gray	Light blue	Light gray	Orange
 Stainless steel	Gray	Light blue	White	White



Push-lock Series Variations

Refer to the **WEB catalog** for details.



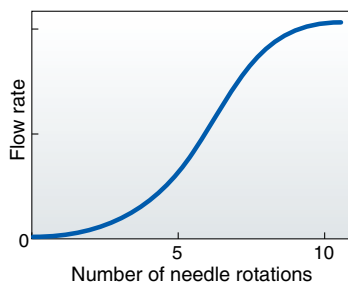
Speed Controller with Indicator / Series AS-FS

Numerical indication of knob rotation for flow rate reduces flow setting time and setting errors!

Indicator window



Numerical indication of knob rotation



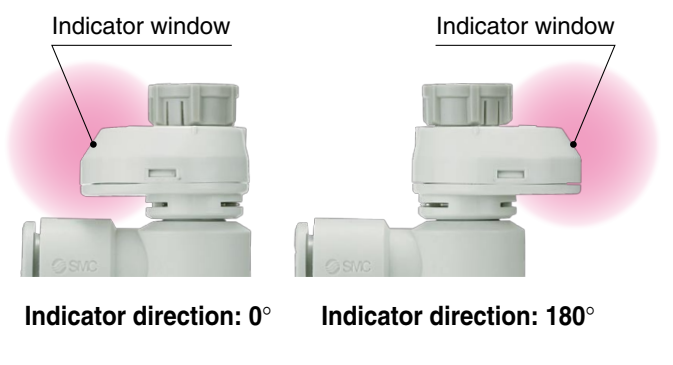
Body size 1

Indicator window	Number of needle rotations
1	1
2	2
⋮	⋮
8	8

Body size 2 or larger

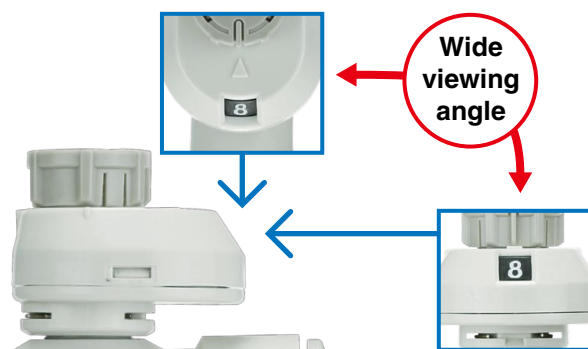
Indicator window	Number of needle rotations
1	1
2	2
⋮	⋮
10	10

Two indicator window directions available



Indicator direction: 0°

Indicator direction: 180°

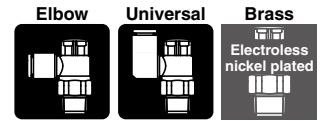


Body size	Port size	Applicable tubing O.D.	
		Metric size	Inch size
1 to 4	M5 to 1/2	ø2 to ø16	ø1/8" to ø1/2"



Speed Controller with One-touch Fitting Elbow Type/Universal Type

Series AS



Model

Model		Port size	Seal method	Applicable tubing O.D.															
Elbow type	Universal type			Metric size						Inch size									
				2 ^{Note 2)}	3.2	4	6	8	10	12	16	1/8"	5/32"	1/4"	5/16"	3/8"	1/2"		
AS12□1F-M5□	AS13□1F-M5□	M5 x 0.8	Gasket seal	● ^{Note 3)}	●	●	●						●	●	●				
AS12□1F-U10/32□	AS13□1F-U10/32□	10-32UNF	Gasket seal	● ^{Note 3)}	●	●	●						●	●	●				
AS22□1F-□01	AS23□1F-□01	R NPT	Sealant ^{Note 1)}		●	●	●	●	● ^{Note 3)}				●	●	●	●			
AS22□1F-□02	AS23□1F-□02			1/8		● ^{Note 3)}	●	●	●	●				● ^{Note 3)}	●	●	●	●	
AS32□1F-□02	AS33□1F-□02			1/4				●	●	●	●					●	●	●	
AS32□1F-□03	AS33□1F-□03			1/4				●	●	●	●					●	●	●	
AS42□1F-□04	AS43□1F-□04			3/8				●	●	●	●					●	●	●	
		1/2						●	●	● ^{Note 3)}						●	●		

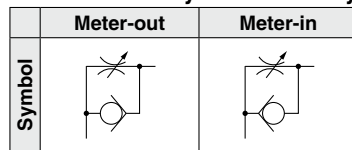
Note 1) "Without sealant" type can be selected as a standard option.

Note 2) Only polyurethane tubing is applicable for ø2.

Note 3) Universal type is not available.

Specifications

Flow Direction Symbols on Body



Fluid	Air
Proof pressure	1.5 MPa
Max. operating pressure	1 MPa
Min. operating pressure	0.1 MPa
Ambient and fluid temperature	-5 to 60°C (No freezing)
Applicable tubing material	Nylon, Soft nylon, Polyurethane ^{Note)} , FEP, PFA

Note) Use caution at the max. operating pressure when using soft nylon or polyurethane tubing. (Refer to the WEB catalog or the Best Pneumatics No. 6 for details.)

Flow Rate and Sonic Conductance

⚠ Caution

Be sure to read this before handling. Refer to the back cover for Safety Instructions. For Flow Control Equipment Precautions, refer to "Handling Precautions for SMC Products" and the Operation Manual on SMC website, <http://www.smcworld.com>

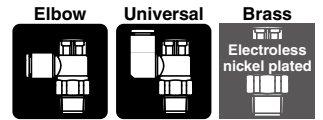
Model	AS12□1F-M5□ AS13□1F-M5□		AS22□1F-□01 ^{Note 3)} AS23□1F-□01 ^{Note 3)}			AS22□1F-□02 AS23□1F-□02			AS32□1F AS33□1F			AS42□1F AS43□1F		
	Metric size	ø2	ø3.2	ø4	ø6	ø3.2	ø4	ø6	ø8	ø10	ø6	ø8	ø10	ø12
Tubing O.D.	Metric size	ø2	ø3.2	ø4	ø6	ø3.2	ø4	ø6	ø8	ø10	ø6	ø8	ø10	ø12
	Inch size	—	ø1/8" ø1/4" ø5/32"	ø1/8"	ø5/32" ø5/16"	ø1/8"	ø5/32"	—	ø1/4" ø5/16" ø3/8"	ø1/4"	ø5/16"	ø3/8"	ø3/8"	ø1/2"
C values: Sonic conductance dm³/(s·bar)	Free flow	0.2	0.3	0.4	0.6	0.6	0.7	1.0	1.3	1.5	1.6	1.7	2.5	4.4
	Controlled flow	0.2	0.3	0.4	0.7	0.8	0.6	0.9	1.3	2.1	2.4	3.3	4.4	4.9
b values: Critical pressure ratio	Free flow	0.3	0.4	0.2	0.3	0.3	0.3	0.4	0.4	0.3	0.3	0.3	0.3	0.3
	Controlled flow	0.2	0.2	0.3	0.3	0.3	0.3	0.3	0.3	0.3	0.3	0.3	0.3	0.3

Note 1) 10-32UNF has the same specification as M5.

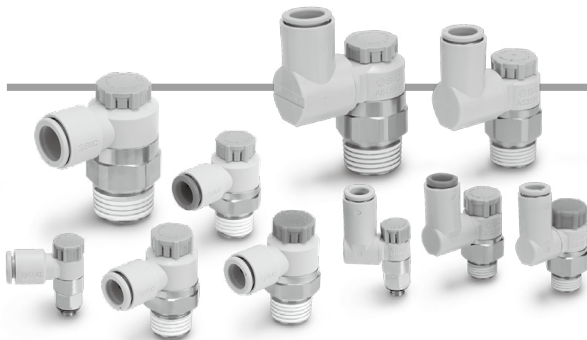
Note 2) C and b values are for controlled flow with the needle fully open and free flow with the needle fully closed.

Note 3) The same specifications also apply to the AS-FG series (stainless steel type).

Speed Controller with One-touch Fitting *Series AS*



How to Order



Applicable tubing O.D. ^{Note 1)}

Metric size		Inch size	
02	ø2	01	ø1/8"
23	ø3.2 ^{Note 2)}	03	ø5/32"
04	ø4	07	ø1/4"
06	ø6		

Note 1) For selecting applicable tubing O.D., refer to the "Model" on page 5. Metric size and inch size types can be visually identified by color of the release button.

Metric size: Light gray
Inch size: Orange

Note 2) Use ø1/8" tube.

Width across flats (H)

E	8 mm
Nil	9 mm

Body size

1	M5 x 0.8 10-32UNF
---	----------------------

Port size

M5	M5 x 0.8
U10/32	10-32UNF

Body size 1

AS 1 2 0 1 F - M5 E - 06 A -

Body size 2/3/4

AS 2 2 0 1 F - 01 - 06 S A -

Body size

2	1/8, 1/4
3	3/8
4	1/2

Type

2	Elbow
3	Universal

Control type ^{Note)}

0	Meter-out
1	Meter-in

Note) Meter-out and meter-in types can be visually identified by color of the knob.

Meter-out: Gray
Meter-in: Light blue

Thread type

Nil	R
N	NPT

Port size

01	1/8
02	1/4
03	3/8
04	1/2

• Made to Order
Refer to page 13 for details.

• Push-lock type

Seal method

Nil	Without sealant
S	With sealant

Applicable tubing O.D. ^{Note 1)}

Metric size		Inch size	
23	ø3.2 ^{Note 2)}	01	ø1/8"
04	ø4	03	ø5/32"
06	ø6	07	ø1/4"
08	ø8	09	ø5/16"
10	ø10	11	ø3/8"
12	ø12	13	ø1/2"
16	ø16		

Note 1) For selecting applicable tubing O.D., refer to the "Model" on page 5.

Note 2) Use ø1/8" tube.

Sealant/Gasket seal
AS-FG

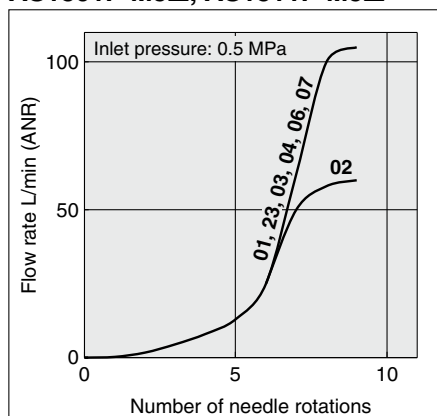
Face seal

Gasket seal
Uni-AS

Series AS

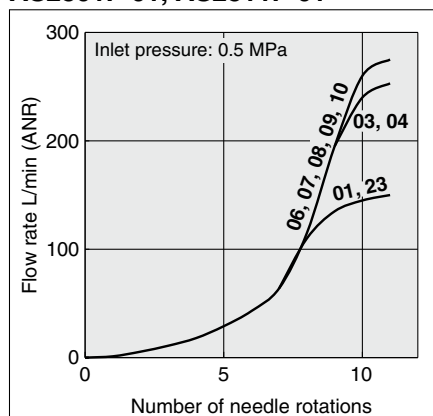
Needle Valve/Flow-rate Characteristics

AS1201F-M5□, AS1211F-M5□
AS1301F-M5□, AS1311F-M5□

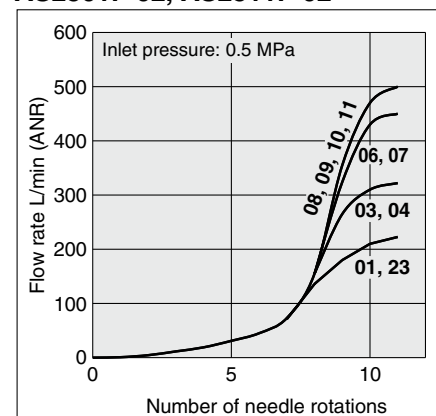


Note) -U10/32 has the same specification as M5.

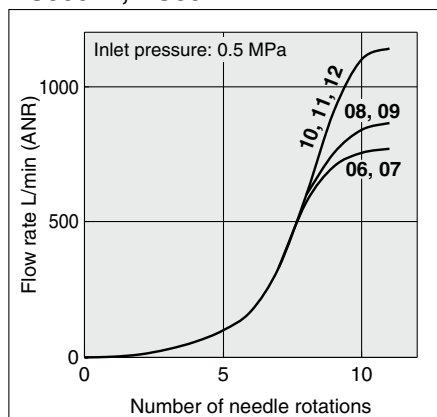
AS2201F-01, AS2211F-01
AS2301F-01, AS2311F-01



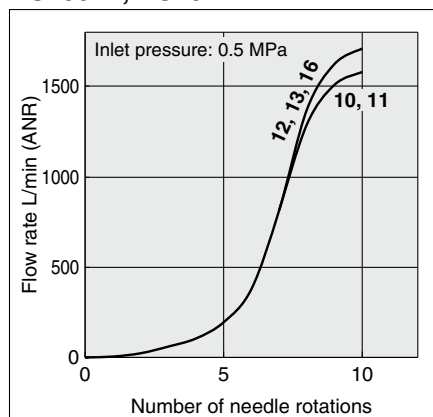
AS2201F-02, AS2211F-02
AS2301F-02, AS2311F-02



AS3201F, AS3211F
AS3301F, AS3311F



AS4201F, AS4211F
AS4301F, AS4311F

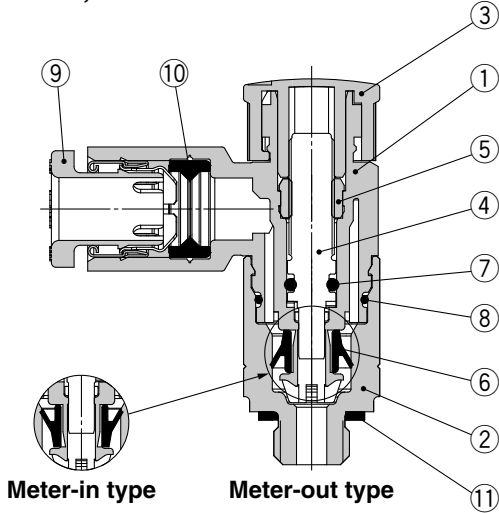


Note) The numbers above the flow-rate characteristic curves in the charts show the applicable tubing outside diameter as defined by the product number.

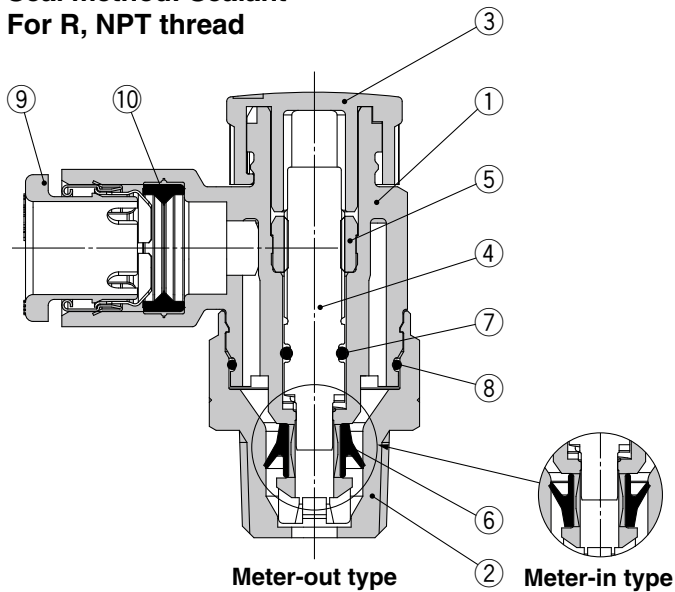
Construction

Elbow type

Seal method: Gasket seal
For M5, 10-32UNF



Seal method: Sealant
For R, NPT thread

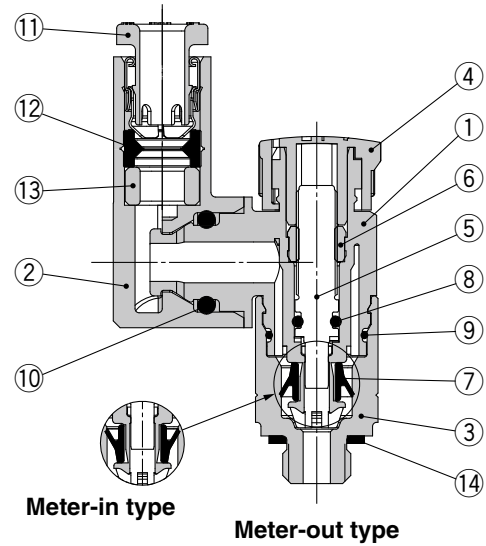


Component Parts

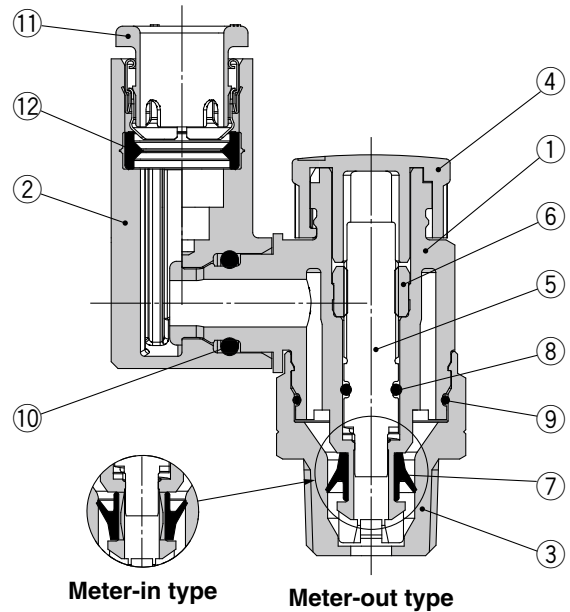
No.	Description	Material	Note
1	Body A	PBT	
2	Body B	Brass	Electroless nickel plating
3	Knob	POM	
4	Needle	PBT	
5	Needle guide	Brass	Electroless nickel plating
6	U-seal	HNBR	
7	O-ring	NBR	
8	O-ring	NBR	
9	Cassette	—	
10	Seal	NBR	
11	Gasket	NBR/Stainless steel	

Universal type

Seal method: Gasket seal
For M5, 10-32UNF



Seal method: Sealant
For R, NPT thread



Component Parts

No.	Description	Material	Note
1	Body A	PBT	
2	Elbow body	PBT	
3	Body B	Brass	Electroless nickel plating
4	Knob	POM	
5	Needle	PBT	
6	Needle guide	Brass	Electroless nickel plating
7	U-seal	HNBR	
8	O-ring	NBR	
9	O-ring	NBR	
10	O-ring	NBR	
11	Cassette	—	
12	Seal	NBR	
13	Spacer ^{Note)}	PBT	
14	Gasket	NBR/Stainless steel	

Note) Spacer is included only for the applicable tubing O.D. $\phi 3.2$ and $\phi 1/8"$.

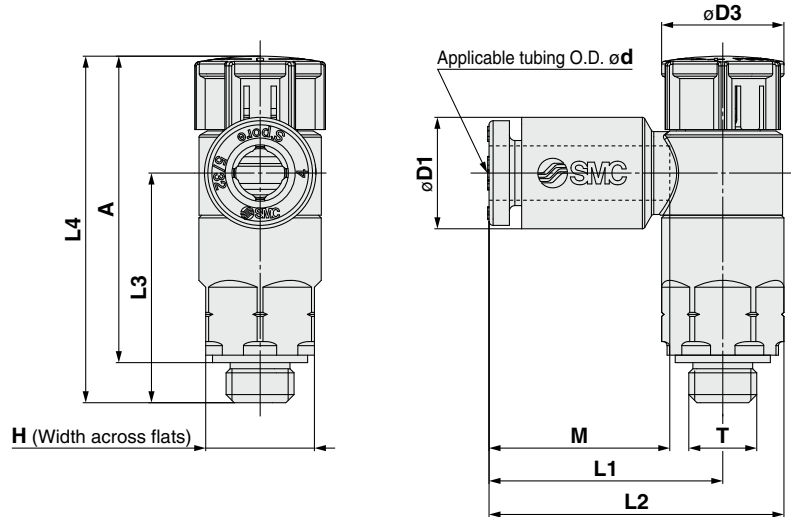
Sealant/Gasket seal
AS-FG
AS

Face seal

Gasket seal
Uni-AS

Dimensions/ Elbow type

Seal method: Gasket seal
For M5, 10-32UNF



Metric Size

Model	d	T	H	D1	D3	L1	L2	L3	L4 <small>Note 1)</small>		A <small>Note 2)</small>		M	Weight [g]	
									Unlocked	Locked	Unlocked	Locked			
AS12□1F-M5E-02A	2	M5 x 0.8 10/32UNF	8	5.8	9.4	15.8	20.3	16.9	26.5	25.4	23.5	22.4	11.9	5	
AS12□1F-U10/32E-02A															
AS12□1F-M5E-23A	3.2			7.2		17.2	21.7								13.3
AS12□1F-U10/32E-23A															
AS12□1F-M5E-04A	4			8.2		18.6	23.1								16.5
AS12□1F-U10/32E-04A															
AS12□1F-M5E-06A	6	10.4													
AS12□1F-U10/32E-06A															

Note 1) Reference dimensions

Note 2) Reference dimensions of threads after installation

Inch Size

Model	d	T	H	D1	D3	L1	L2	L3	L4 <small>Note 1)</small>		A <small>Note 2)</small>		M	Weight [g]			
									Unlocked	Locked	Unlocked	Locked					
AS12□1F-M5E-01A	1/8"	M5 x 0.8 10/32UNF	8	7.2	9.4	17.2	21.7	16.9	26.5	25.4	23.5	22.4	13.3	5			
AS12□1F-U10/32E-01A																	
AS12□1F-M5E-03A	5/32"			8.2											18.6	23.1	16.5
AS12□1F-U10/32E-03A																	
AS12□1F-M5E-07A	1/4"			11.2													
AS12□1F-U10/32E-07A																	

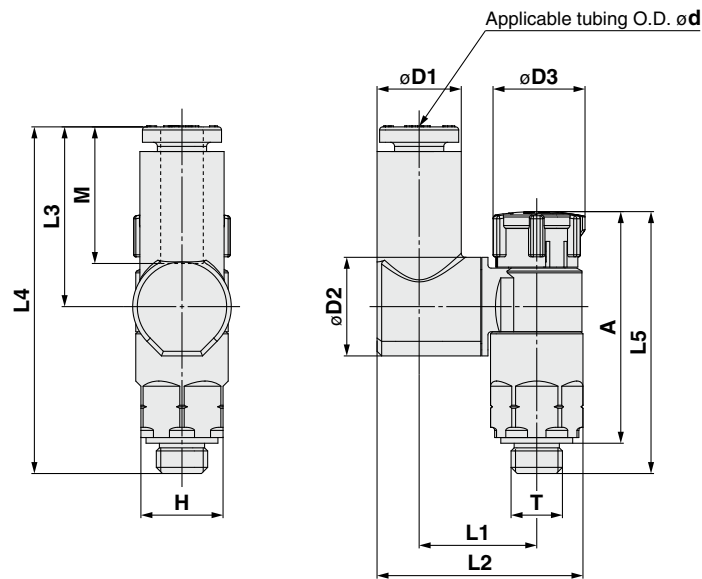
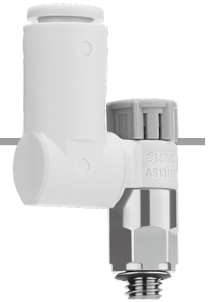
Note 1) Reference dimensions

Note 2) Reference dimensions of threads after installation

Dimensions/ **Universal type**

Seal method: Gasket seal

For M5, 10-32UNF



Sealant/Gasket seal
AS-FG

Face seal

Gasket seal
Uni-AS

Metric Size

Model	d	T	H	D1	D2	D3	L1	L2	L3	L4	L5 Note 1)		A Note 2)		M	Weight [g]
											Unlocked	Locked	Unlocked	Locked		
AS13□1F-M5E-23A	3.2	M5 x 0.8 10/32UNF	8	7.2	9.6	9.4	11.6	19.4	17.5	33.8	26.5	25.4	23.5	22.4	13.3	6
AS13□1F-U10/32E-23A																
AS13□1F-M5E-04A	8.2															
AS13□1F-U10/32E-04A	11.5															
AS13□1F-M5E-06A	10.4															
AS13□1F-U10/32E-06A	6															

Note 1) Reference dimensions

Note 2) Reference dimensions of threads after installation

Inch Size

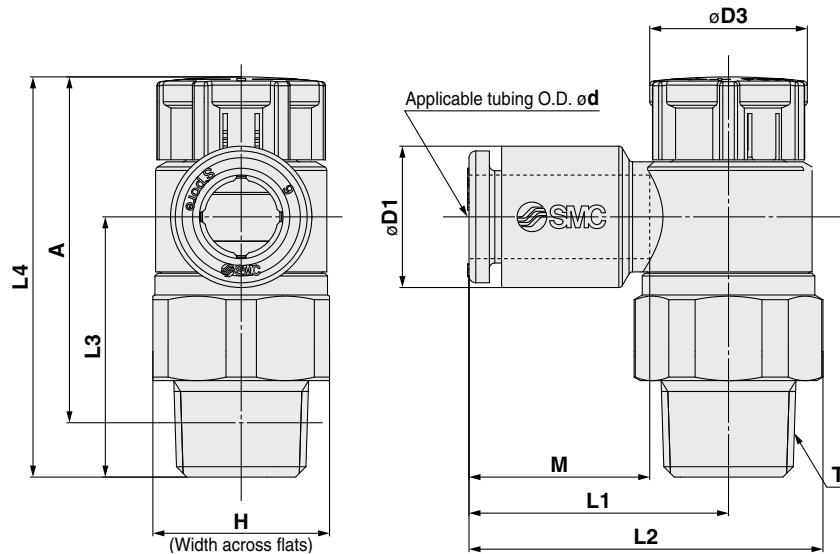
Model	d	T	H	D1	D2	D3	L1	L2	L3	L4	L5 Note 1)		A Note 2)		M	Weight [g]
											Unlocked	Locked	Unlocked	Locked		
AS13□1F-M5E-01A	1/8"	M5 x 0.8 10/32UNF	8	7.2	9.6	9.4	11.6	19.4	17.5	33.8	26.5	25.4	23.5	22.4	13.3	6
AS13□1F-U10/32E-01A																
AS13□1F-M5E-03A	8.2															
AS13□1F-U10/32E-03A	11.5															
AS13□1F-M5E-07A	11.2															
AS13□1F-U10/32E-07A	1/4"															

Note 1) Reference dimensions

Note 2) Reference dimensions of threads after installation

Dimensions/ Elbow type

Seal method: Sealant
For R, NPT thread



Metric Size

Model	d	T	H	D1	D3	L1	L2	L3	L4 <small>Note 1)</small>		A <small>Note 2)</small>		M	Weight [g]
									Unlocked	Locked	Unlocked	Locked		
AS22□1F-01-23(S)A	3.2	1/8	13 (12.7)	7.2	12	19.1	26.2	19.1	30.6	29.2	27.5	26.1	13.3	9 (9)
AS22□1F-01-04(S)A	4			8.2										10 (9)
AS22□1F-01-06(S)A	6			10.4										11 (10)
AS22□1F-01-08(S)A	8			13.2										12 (11)
AS22□1F-01-10(S)A	10			15.9										15.6
AS22□1F-02-23(S)A	3.2	1/4	17 (17.5)	7.2	13	20.9	30.2 (30.3)	22.6	36.6	35	31.1	29.5	13.3	18 (19)
AS22□1F-02-04(S)A	4			8.2		23.4	32.7 (32.8)							19 (20)
AS22□1F-02-06(S)A	6			10.4		23.9	33.2 (33.3)							20 (21)
AS22□1F-02-08(S)A	8			13.2		26.9	36.2 (36.3)							21 (22)
AS22□1F-02-10(S)A	10			15.9		26.9	36.2 (36.3)							22 (23)
AS32□1F-02-06(S)A	6	1/4	19	10.4	16.6	21.8	32.1	36.4	50	48.4	44.5	42.9	13.3	40 (40)
AS32□1F-02-08(S)A	8			13.2		33	41 (41)							
AS32□1F-02-10(S)A	10			15.9		37	42 (42)							
AS32□1F-02-12(S)A	12			18.5		40	43 (43)							
AS32□1F-03-06(S)A	6			3/8		19	10.4							16.6
AS32□1F-03-08(S)A	8	13.2	33		32 (33)									
AS32□1F-03-10(S)A	10	15.9	37		33 (33)									
AS32□1F-03-12(S)A	12	18.5	40		34 (35)									
AS42□1F-04-10(S)A	10	1/2	24 (23.8)		15.9		18.8	27.4	40.3 (40.2)	36.2	50.8	49.2	43.7	
AS42□1F-04-12(S)A	12			18.5	43.7 (43.6)	35.1		56 (55)						
AS42□1F-04-16(S)A	16			23.8	47.7 (47.6)	32.7		60 (59)						

Note 1) Reference dimensions Note 2) Reference dimensions of threads after installation Note 3) The values in () are for NPT thread.

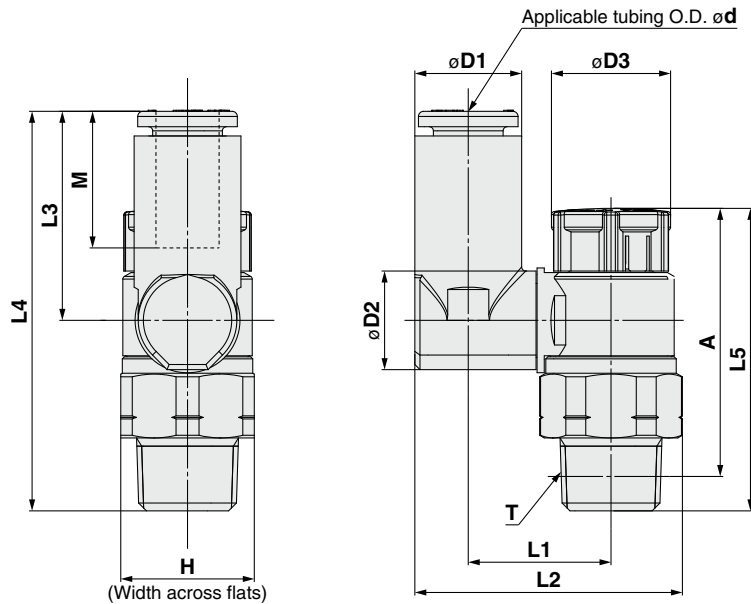
Inch Size

Model	d	T	H	D1	D3	L1	L2	L3	L4 <small>Note 1)</small>		A <small>Note 2)</small>		M	Weight [g]
									Unlocked	Locked	Unlocked	Locked		
AS22□1F-01-01(S)A	1/8"	1/8	13 (12.7)	7.2	12	19.1	26.2	19.1	30.6	29.2	27.5	26.1	13.3	9 (9)
AS22□1F-01-03(S)A	5/32"			8.2										10 (9)
AS22□1F-01-07(S)A	1/4"			11.2										11 (10)
AS22□1F-01-09(S)A	5/16"			13.2										12 (11)
AS22□1F-02-01(S)A	1/8"	1/4	17 (17.5)	7.2	13	20.9	30.2 (30.3)	22.6	36.6	35	31.1	29.5	13.3	18 (19)
AS22□1F-02-03(S)A	5/32"			8.2		23.4	32.7 (32.8)							19 (19)
AS22□1F-02-07(S)A	1/4"			11.2		23.9	33.2 (33.3)							20 (20)
AS22□1F-02-09(S)A	5/16"			13.2		26.4	35.7 (35.8)							21 (21)
AS22□1F-02-11(S)A	3/8"			15.5		26.4	35.7 (35.8)							22 (22)
AS32□1F-02-07(S)A	1/4"	1/4	19	11.2	16.6	21.8	32.1	36.4	50	48.4	44.5	42.9	13.3	40 (40)
AS32□1F-02-09(S)A	5/16"			13.2		33	41 (41)							
AS32□1F-02-11(S)A	3/8"			15.5		37	42 (42)							
AS32□1F-03-07(S)A	1/4"	3/8	19	11.2	16.6	21.8	32.1	28.7	42.3	40.7	37.1	35.5	13.3	31 (32)
AS32□1F-03-09(S)A	5/16"			13.2		33	32 (33)							
AS32□1F-03-11(S)A	3/8"			15.5		37	33 (33)							
AS42□1F-04-11(S)A	3/8"	1/2	24 (23.8)	15.5	18.8	27.4	40.3 (40.2)	36.2	50.8	49.2	43.7	42.1	15.6	54 (53)
AS42□1F-04-13(S)A	1/2"			19.3		43.8 (43.7)	34.7							56 (55)

Note 1) Reference dimensions Note 2) Reference dimensions of threads after installation Note 3) The values in () are for NPT thread.

Dimensions/ **Universal type**

Seal method: Sealant
For R, NPT thread



Sealant/Gasket seal
AS-FG
AS

Face seal

Gasket seal
Uni-AS

Metric Size

Model	d	T	H	D1	D2	D3	L1	L2	L3	L4	L5 Note 1)		A Note 2)		M	Weight [g]	
											Unlocked	Locked	Unlocked	Locked			
AS23□1F-01-23(S)A	3.2	1/8	13 (12.7)	7.2	9.6	12	13.3	24	17.5	36	30.6	29.2	27.5	26.1	13.3	10 (10)	
AS23□1F-01-04(S)A	4			8.2			13.9	25.1								11 (10)	
AS23□1F-01-06(S)A	6			10.4			16.4	26.2								12 (12)	
AS23□1F-01-08(S)A	8	1/4	17 (17.5)	13.2	12.9	13	16.4	30.1	21.5	40	36.6	35	31.1	29.5	14.2	12 (12)	
AS23□1F-02-04(S)A	4			8.2			16.5	29.9 (30)							17.5	40.1	19 (20)
AS23□1F-02-06(S)A	6			11.2			19	33.8 (33.9)							21.4	43.9	13.3
AS23□1F-02-08(S)A	8	1/4	17 (17.5)	13.2	12.9	13	19	34.9 (35)	23.5	46	36.6	35	31.1	29.5	14.2	22 (22)	
AS23□1F-02-10(S)A	10			15.9			20.9	38.1 (38.2)							24.7	47.3	15.6
AS33□1F-02-06(S)A	6			1/4			19	11.2							12.9	16.6	20.2
AS33□1F-02-08(S)A	8	13.2	20.2		37.1	23.5		59.9	14.2								
AS33□1F-02-10(S)A	10	15.9	23		41.2	26.1		62.5	15.6								
AS33□1F-02-12(S)A	12	3/8	19	18.5	17.4	16.6	23	42.5	28.3	64.7	42.3	40.7	37.1	35.5	17	48 (48)	
AS33□1F-03-06(S)A	6			11.2			20.2	36							21.4	50.1	13.3
AS33□1F-03-08(S)A	8			13.2			20.2	37.1							23.5	52.2	14.2
AS33□1F-03-10(S)A	10	3/8	19	15.9	17.4	16.6	23	41.2	26.1	54.8	42.3	40.7	37.1	35.5	15.6	38 (39)	
AS33□1F-03-12(S)A	12			18.5			23	42.5							28.3	57	17
AS43□1F-04-10(S)A	10			1/2			24 (23.8)	15.9							17.4	18.8	25.6
AS43□1F-04-12(S)A	12	18.5	26.2		48.3 (48.2)	28.3		63.4	17	64 (63)							

Note 1) Reference dimensions Note 2) Reference dimensions of threads after installation Note 3) The values in () are for NPT thread.

Inch Size

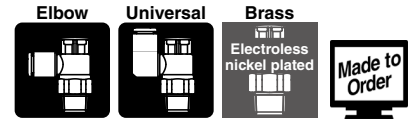
Model	d	T	H	D1	D2	D3	L1	L2	L3	L4	L5 Note 1)		A Note 2)		M	Weight [g]	
											Unlocked	Locked	Unlocked	Locked			
AS23□1F-01-01(S)A	1/8"	1/8	13 (12.7)	7.2	9.6	12	13.3	24	17.5	36	30.6	29.2	27.5	26.1	13.3	10 (10)	
AS23□1F-01-03(S)A	5/32"			8.2			13.9	25.1								11 (10)	
AS23□1F-01-07(S)A	1/4"			11.2			16.4	29.1								20.2	38.7
AS23□1F-01-09(S)A	5/16"	1/4	17 (17.5)	13.2	10.2	12	16.4	30.1	21.5	40	36.6	35	31.1	29.5	14.2	12 (12)	
AS23□1F-02-03(S)A	5/32"			8.2			16.5	29.9 (30)							17.5	40.1	19 (20)
AS23□1F-02-07(S)A	1/4"			11.2			19	33.8 (33.9)							21.4	43.9	13.3
AS23□1F-02-09(S)A	5/16"	1/4	17 (17.5)	13.2	12.9	13	19	34.9 (35)	23.5	46	36.6	35	31.1	29.5	14.2	22 (22)	
AS23□1F-02-11(S)A	3/8"			15.9			20.9	38.1 (38.2)							24.7	47.3	15.6
AS33□1F-02-07(S)A	1/4"			11.2			20.2	36							21.4	57.8	13.3
AS33□1F-02-09(S)A	5/16"	3/8	19	13.2	12.9	16.6	20.2	37.1	23.5	59.9	50	48.4	44.5	42.9	14.2	43 (43)	
AS33□1F-02-11(S)A	3/8"			15.9			23	41.2							26.1	62.5	15.6
AS33□1F-03-07(S)A	1/4"			11.2			20.2	36							21.4	50.1	13.3
AS33□1F-03-09(S)A	5/16"	3/8	19	13.2	12.9	16.6	20.2	37.1	23.5	52.2	42.3	40.7	37.1	35.5	14.2	35 (36)	
AS33□1F-03-11(S)A	3/8"			15.9			23	41.2							26.1	54.8	15.6
AS43□1F-04-11(S)A	3/8"			1/2			24 (23.8)	15.9							17.4	18.8	25.6
AS43□1F-04-13(S)A	1/2"	18.5	26.2		48.3 (48.2)	28.3		63.4	17	64 (63)							

Note 1) Reference dimensions Note 2) Reference dimensions of threads after installation Note 3) The values in () are for NPT thread.

Series AS

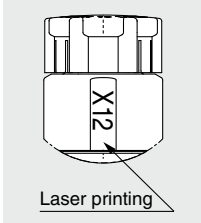
Made to Order

Please contact SMC for detailed dimensions, specifications and delivery.



1 Lubricant: Vaseline

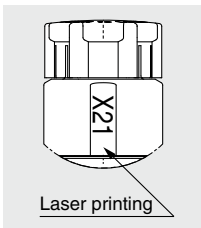
-X12



Example) AS2201F-01-04SA-X12

2 Grease-free (Seal: Fluorine-coated) + Restrictor (Without check valve)

-X21



Example) AS2201F-01-04SA-X21

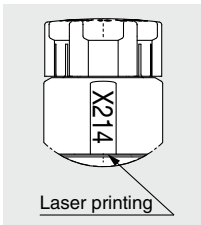
Note 1) Not particle-free

Note 2) The restrictor is only compatible with the part number of the meter-out type.

Note 3) Only the needle and O-ring are fluorine-coated.

3 Restrictor (Without check valve)

-X214

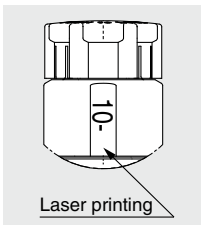


Example) AS2201F-01-04SA-X214

Note) The restrictor is only compatible with the part number of the meter-out type.

4 Clean Series

10-



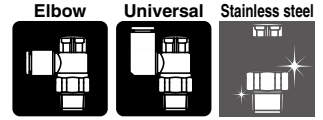
Example) 10-AS2201F-01-04SA

Note 1) Fluorine grease is used.

Note 2) The particulate generation grade is 3.

Note 3) Excluding G thread type.

Speed Controller with One-touch Fitting Stainless Steel Type Elbow Type/Universal Type Series AS-FG



Model

Model		Port size	Seal method	Applicable tubing O.D.																
Elbow type	Universal type			Metric size						Inch size										
				2 ^{Note 2)}	3.2	4	6	8	10	12	16	1/8"	5/32"	1/4"	5/16"	3/8"	1/2"			
AS12□1FG-M5	AS13□1FG-M5	M5 x 0.8	Gasket seal	● ^{Note 3)}	●	●	●						●	●	●					
AS12□1FG-U10/32	AS13□1FG-U10/32	10-32UNF		● ^{Note 3)}	●	●	●							●	●	●				
AS22□1FG-□01	AS23□1FG-□01	R NPT	Sealant ^{Note 1)}		●	●	●	●	● ^{Note 3)}				●	●	●	●				
AS22□1FG-□02	AS23□1FG-□02			1/8		● ^{Note 3)}	●	●	●	●				● ^{Note 3)}	●	●	●	●		
AS32□1FG-□02	AS33□1FG-□02			1/4			●	●	●	●	●					●	●	●		
AS32□1FG-□03	AS33□1FG-□03			3/8			●	●	●	●	●					●	●	●		
AS42□1FG-□04	AS43□1FG-□04			1/2						●	●	● ^{Note 3)}					●	●		●
AS22□1FG-G01	AS23□1FG-G01	G	Face seal		●	●	●	●	● ^{Note 3)}											
AS22□1FG-G02	AS23□1FG-G02			1/8		● ^{Note 3)}	●	●	●	●										
AS32□1FG-G02	AS33□1FG-G02			1/4			●	●	●	●	●									
AS32□1FG-G03	AS33□1FG-G03			3/8			●	●	●	●	●									
AS42□1FG-G04	AS43□1FG-G04			1/2						●	●	● ^{Note 3)}								

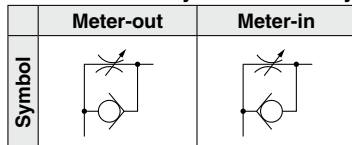
Note 1) "Without sealant" type can be selected as a standard option.

Note 2) Only polyurethane tubing is applicable for ø2.

Note 3) Universal type is not available.

Specifications

Flow Direction Symbols on Body



Fluid	Air
Proof pressure	1.5 MPa
Max. operating pressure	1 MPa
Min. operating pressure	0.1 MPa
Ambient and fluid temperature	-5 to 60°C (No freezing)
Applicable tubing material	Nylon, Soft nylon, Polyurethane ^{Note)} , FEP, PFA

Note) Use caution at the max. operating pressure when using soft nylon or polyurethane tubing. (Refer to the **WEB catalog** or the Best Pneumatics No. 6 for details.)

Flow Rate and Sonic Conductance

Caution

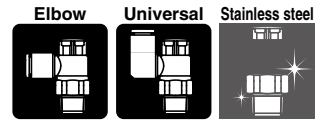
Be sure to read this before handling. Refer to the back cover for Safety Instructions. For Flow Control Equipment Precautions, refer to "Handling Precautions for SMC Products" and the Operation Manual on SMC website, <http://www.smcworld.com>

Model	AS12□1FG-M5 AS13□1FG-M5		AS22□1FG-□01 AS23□1FG-□01		AS22□1FG-□02 AS23□1FG-□02			AS32□1FG AS33□1FG		AS42□1FG AS43□1FG					
	ø2	ø3.2 ø4 ø6	ø3.2	ø4	ø6	ø8 ø10	ø3.2	ø4	ø6	ø8 ø10	ø6	ø8	ø10 ø12	ø10	ø12 ø16
Tubing O.D.	Metric size	ø2	ø3.2	ø4	ø6	ø8	ø10	ø3.2	ø4	ø6	ø8	ø10	ø10	ø12	ø16
	Inch size	—	ø1/8" ø1/4" ø5/32"	ø1/8"	ø5/32"	ø1/4" ø5/16"	ø1/8"	ø5/32"	—	ø1/4" ø5/16" ø3/8"	ø1/4"	ø5/16"	ø3/8"	ø3/8"	ø1/2"
C values: Sonic conductance dm ³ /(s·bar)	Free flow	0.2	0.3	0.4	0.6	0.6	0.7	1.0	1.3	1.5	1.6	1.7	2.5	4.4	4.8
	Controlled flow	0.2	0.3	0.4	0.7	0.8	0.6	0.9	1.3	2.1	2.4	3.3	4.4	4.9	
b values: Critical pressure ratio	Free flow	0.3	0.4	0.2	0.3	0.3	0.3	0.4	0.4	0.3	0.3	0.3	0.3	0.3	0.3
	Controlled flow	0.2	0.2	0.2	0.3	0.3	0.3	0.3	0.3	0.3	0.3	0.3	0.3	0.3	0.3

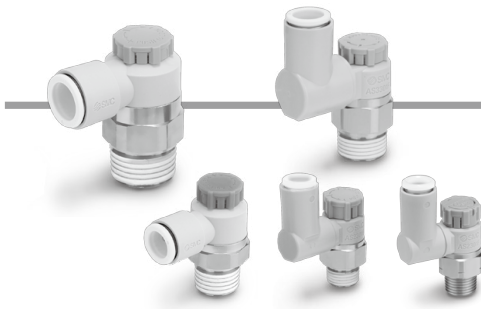
Note 1) 10-32UNF has the same specification as M5.

Note 2) C and b values are for controlled flow with the needle fully open and free flow with the needle fully closed.

Series AS-FG



How to Order



Applicable tubing O.D. ^{Note 1)}

Metric size		Inch size	
02	ø2	01	ø1/8"
23	ø3.2 ^{Note 2)}	03	ø5/32"
04	ø4	07	ø1/4"
06	ø6		

Note 1) For selecting applicable tubing O.D., refer to the "Model" on page 14. The color of the release button is white (metric, inch).

Note 2) Use ø1/8" tube.

Body size ●

1	M5 x 0.8 10-32UNF
---	----------------------

Port size ●

M5	M5 x 0.8
U10/32	10-32UNF

Body size 1

AS 1 2 0 1 FG - M5 - 06 A -

Body size 2/3/4

AS 2 2 0 1 FG - 01 - 06 S A -

Body size ●

2	1/8, 1/4
3	3/8
4	1/2

Type ●

2	Elbow
3	Universal

Control type ^{Note)} ●

0	Meter-out
1	Meter-in

Note) Meter-out and meter-in types can be visually identified by color of the knob.
Meter-out: Gray
Meter-in: Light blue

Stainless steel type (Stainless steel 303) ●

Note 1) The material can be visually identified by color of the release button.

Stainless steel type: White

Note 2) White is also used for inch size.

Thread type ●

Nil	R
N	NPT
G	G

Port size ●

01	1/8
02	1/4
03	3/8
04	1/2

● Made to Order
Refer to page 25 for details.

● Push-lock type

Seal method ●

Nil	Without sealant
S	With sealant

Note) Face seal method is used for the G thread type.

Select "Nil/Without sealant."

Example) AS2201FG-G01-06A

Applicable tubing O.D. ^{Note 1)}

Metric size		Inch size ^{Note 3)}	
23	ø3.2 ^{Note 2)}	01	ø1/8"
04	ø4	03	ø5/32"
06	ø6	07	ø1/4"
08	ø8	09	ø5/16"
10	ø10	11	ø3/8"
12	ø12	13	ø1/2"
16	ø16		

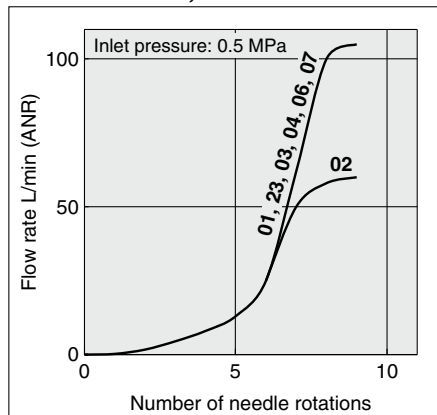
Note 1) For selecting applicable tubing O.D., refer to the "Model" on page 14. The color of the release button is white (metric, inch).

Note 2) Use ø1/8" tube.

Note 3) Only the metric size is available for the G thread type.

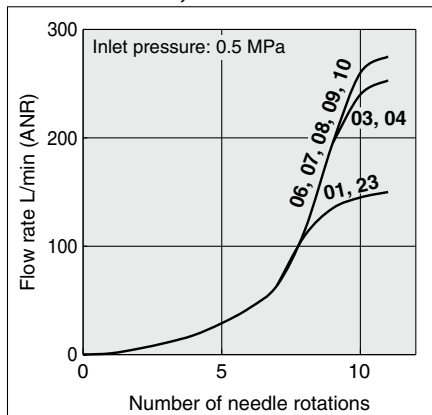
Needle Valve/Flow-rate Characteristics

**AS1201FG-M5, AS1211FG-M5
 AS1301FG-M5, AS1311FG-M5**

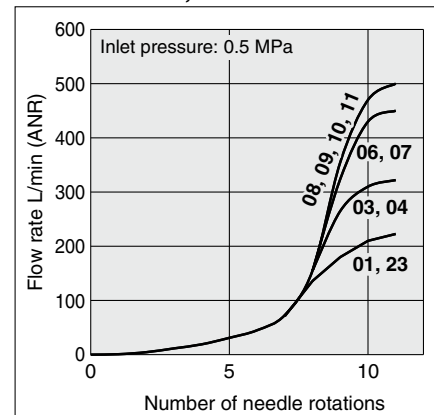


Note) -U10/32 has the same specification as M5.

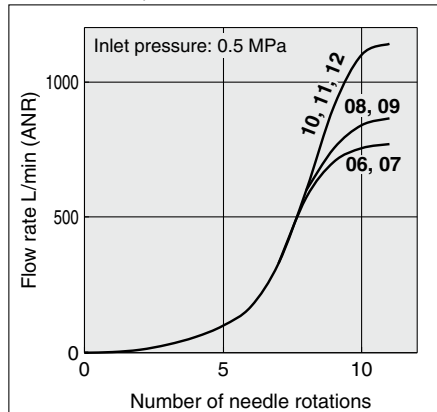
**AS2201FG-01, AS2211FG-01
 AS2301FG-01, AS2311FG-01**



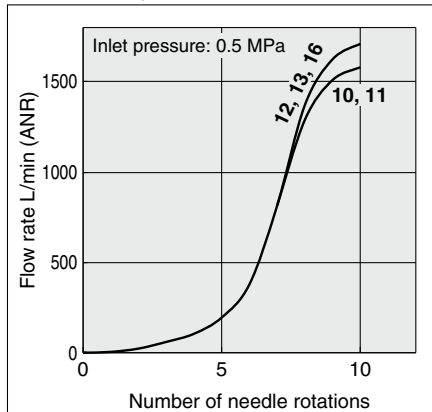
**AS2201FG-02, AS2211FG-02
 AS2301FG-02, AS2311FG-02**



**AS3201FG, AS3211FG
 AS3301FG, AS3311FG**



**AS4201FG, AS4211FG
 AS4301FG, AS4311FG**



Note) The numbers above the flow-rate characteristic curves in the charts show the applicable tubing outside diameter as defined by the product number.

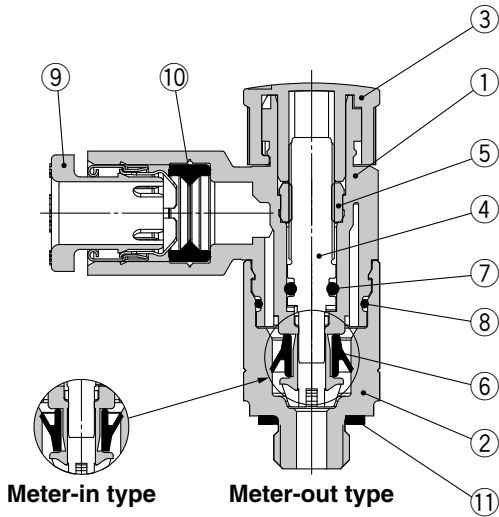
Sealant/Gasket seal	AS
Face seal	AS-FG
Gasket seal	Uni-AS

Series AS-FG

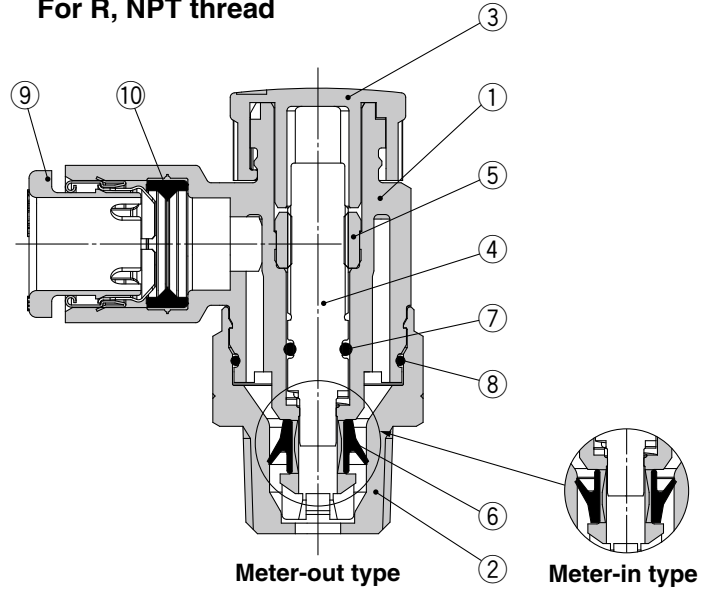
Construction

Elbow type

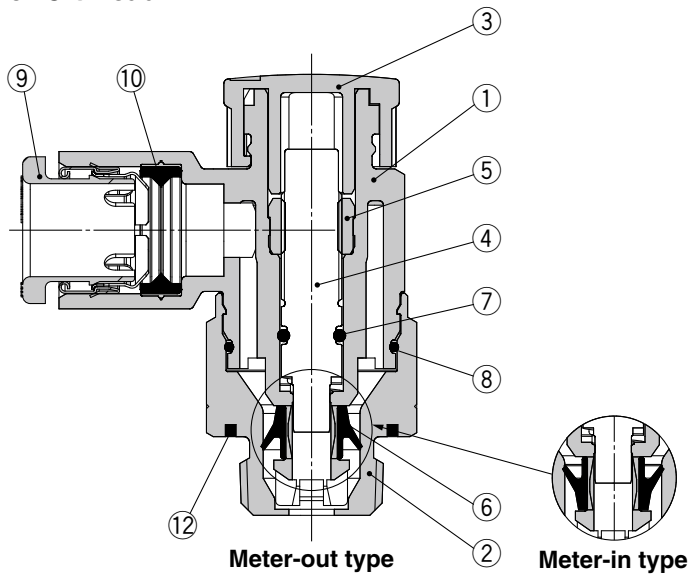
Seal method: Gasket seal
For M5, 10-32UNF



Seal method: Sealant
For R, NPT thread



Seal method: Face seal
For G thread



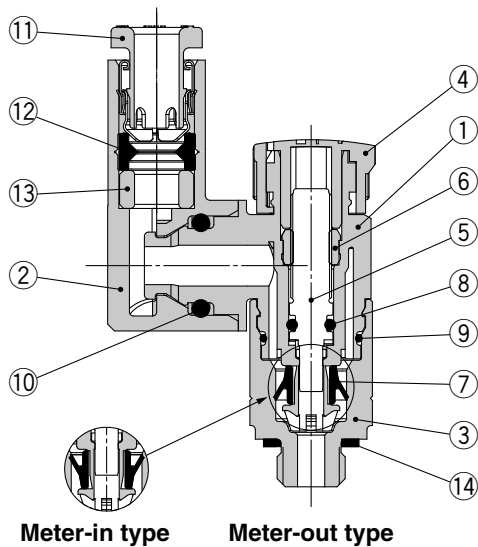
Component Parts

No.	Description	Material	Note
1	Body A	PBT	
2	Body B	Stainless steel	
3	Knob	POM	
4	Needle	PBT	
5	Needle guide	Stainless steel	
6	U-seal	HNBR	
7	O-ring	NBR	
8	O-ring	NBR	
9	Cassette	—	
10	Seal	NBR	
11	Gasket	NBR/Stainless steel	
12	Seal	NBR	

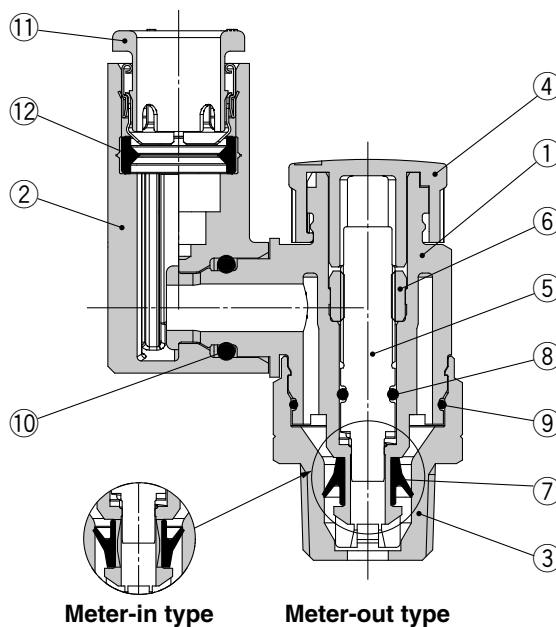
Construction

Universal type

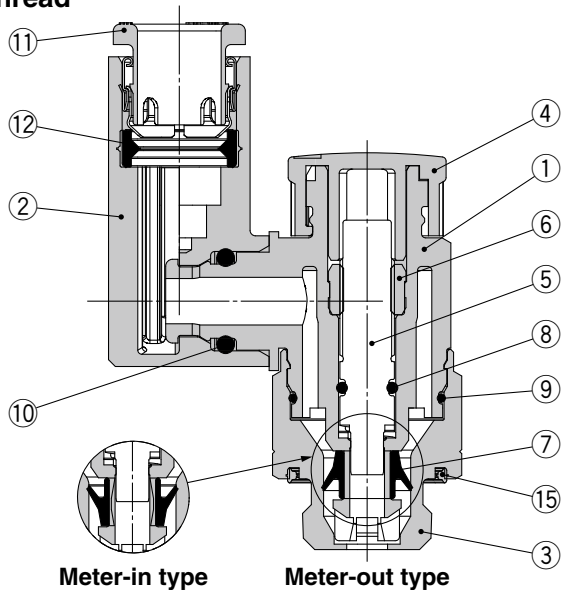
Seal method: Gasket seal
For M5, 10-32UNF



Seal method: Sealant
For R, NPT thread



Seal method: Face seal
For G thread



Sealant/Gasket seal
AS-FG
AS

Face seal

Gasket seal
Uni-AS

Component Parts

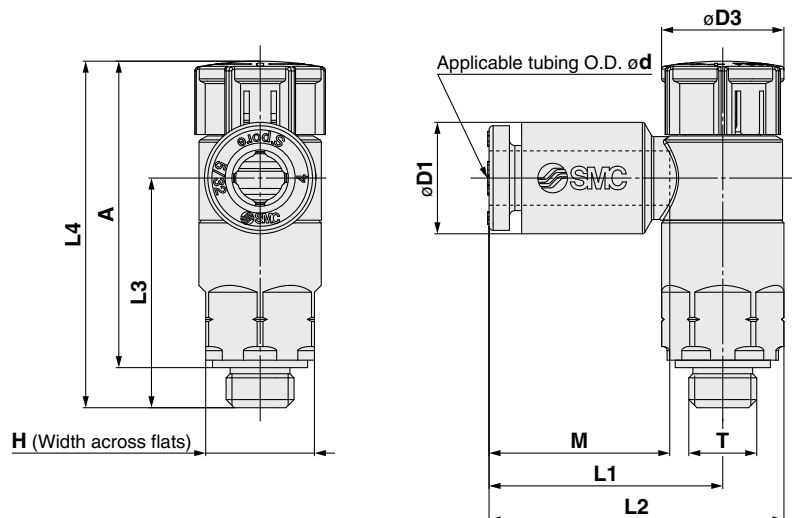
No.	Description	Material	Note
1	Body A	PBT	
2	Elbow body	PBT	
3	Body B	Stainless steel	
4	Knob	POM	
5	Needle	PBT	
6	Needle guide	Stainless steel	
7	U-seal	HNBR	
8	O-ring	NBR	
9	O-ring	NBR	
10	O-ring	NBR	
11	Cassette	—	
12	Seal	NBR	
13	Spacer ^{Note)}	PBT	
14	Gasket	NBR/Stainless steel	
15	Seal	NBR	

Note) Spacer is included only for the applicable tubing O.D. $\phi 3.2$ and $\phi 1/8"$.

Series AS-FG For M5, 10-32UNF

Dimensions/ Elbow type

Seal method: Gasket seal
For M5, 10-32UNF



Metric Size

Model	d	T	H	D1	D3	L1	L2	L3	L4 <small>Note 1)</small>		A <small>Note 2)</small>		M	Weight [g]	
									Unlocked	Locked	Unlocked	Locked			
AS12□1FG-M5-02A	2	M5 x 0.8 10/32UNF	8	5.8	9.4	15.8	20.3	16.9	26.5	25.4	23.5	22.4	11.9	5	
AS12□1FG-U10/32-02A				7.2		17.2	21.7								
AS12□1FG-M5-23A	3.2			8.2		18.6	23.1								16.5
AS12□1FG-U10/32-23A				10.4		18.6	23.1								16.5
AS12□1FG-M5-04A	4			10.4		18.6	23.1								16.5
AS12□1FG-U10/32-04A	4			10.4		18.6	23.1								16.5
AS12□1FG-M5-06A	6			10.4		18.6	23.1								16.5
AS12□1FG-U10/32-06A	6	10.4	18.6	23.1	16.5										

Note 1) Reference dimensions

Note 2) Reference dimensions of threads after installation

Inch Size

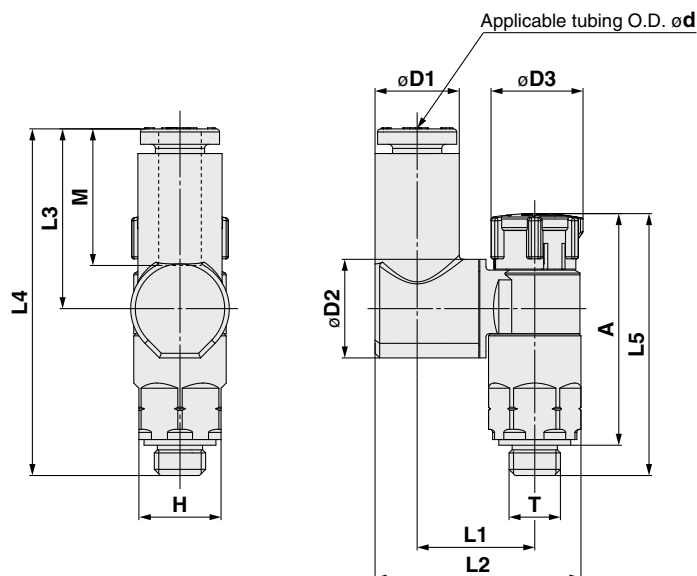
Model	d	T	H	D1	D3	L1	L2	L3	L4 <small>Note 1)</small>		A <small>Note 2)</small>		M	Weight [g]	
									Unlocked	Locked	Unlocked	Locked			
AS12□1FG-M5-01A	1/8"	M5 x 0.8 10/32UNF	8	7.2	9.4	17.2	21.7	16.9	26.5	25.4	23.5	22.4	13.3	5	
AS12□1FG-U10/32-01A				8.2		18.6	23.1								16.5
AS12□1FG-M5-03A	5/32"			11.2		18.6	23.1								16.5
AS12□1FG-U10/32-03A				11.2		18.6	23.1								16.5
AS12□1FG-M5-07A	1/4"			11.2		18.6	23.1								16.5
AS12□1FG-U10/32-07A				11.2		18.6	23.1								16.5

Note 1) Reference dimensions

Note 2) Reference dimensions of threads after installation

Dimensions/ **Universal type**

Seal method: Gasket seal
For M5, 10-32UNF



Sealant/Gasket seal
AS-FG

Face seal

Gasket seal
Uni-AS

Metric Size

Model	d	T	H	D1	D2	D3	L1	L2	L3	L4	L5 Note 1)		A Note 2)		M	Weight [g]
											Unlocked	Locked	Unlocked	Locked		
AS13□1FG-M5-23A	3.2	M5 x 0.8 10/32UNF	8	7.2	9.6	9.4	11.6	19.7	17.5	33.8	26.5	25.4	23.5	22.4	13.3	6
AS13□1FG-U10/32-23A				8.2												
AS13□1FG-M5-04A	4	M5 x 0.8 10/32UNF	8	8.2	9.6	9.4	11.5	20.1	17.5	33.8	26.5	25.4	23.5	22.4	13.3	6
AS13□1FG-U10/32-04A				10.4												
AS13□1FG-M5-06A	6	M5 x 0.8 10/32UNF	8	10.4	9.6	9.4	11.5	21.2	20.4	36.6	26.5	25.4	23.5	22.4	13.3	6
AS13□1FG-U10/32-06A				11.5												

Note 1) Reference dimensions

Note 2) Reference dimensions of threads after installation

Inch Size

Model	d	T	H	D1	D2	D3	L1	L2	L3	L4	L5 Note 1)		A Note 2)		M	Weight [g]
											Unlocked	Locked	Unlocked	Locked		
AS13□1FG-M5-01A	1/8"	M5 x 0.8 10/32UNF	8	7.2	9.6	9.4	11.6	19.7	17.5	33.8	26.5	25.4	23.5	22.4	13.3	6
AS13□1FG-U10/32-01A				8.2												
AS13□1FG-M5-03A	5/32"	M5 x 0.8 10/32UNF	8	8.2	9.6	9.4	11.5	20.1	17.5	33.8	26.5	25.4	23.5	22.4	13.3	6
AS13□1FG-U10/32-03A				11.2												
AS13□1FG-M5-07A	1/4"	M5 x 0.8 10/32UNF	8	11.2	9.6	9.4	11.5	21.6	20.2	36.5	26.5	25.4	23.5	22.4	13.3	6
AS13□1FG-U10/32-07A				11.5												

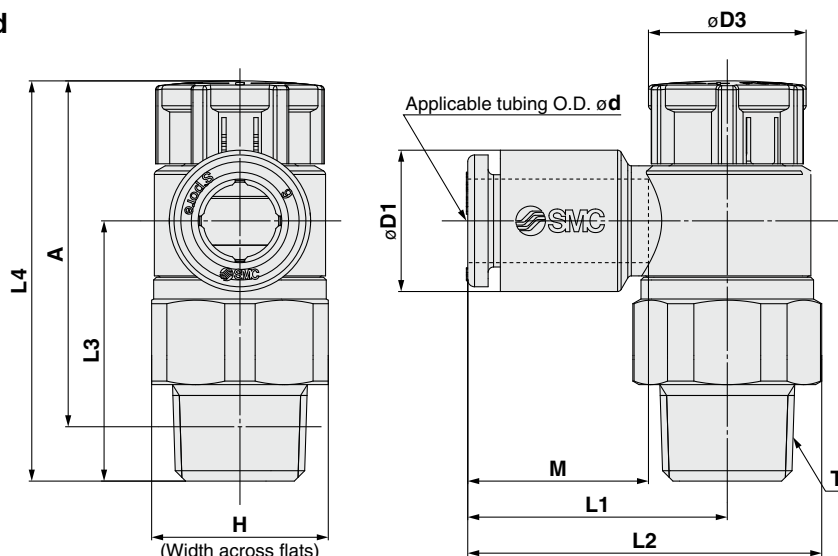
Note 1) Reference dimensions

Note 2) Reference dimensions of threads after installation

Series AS-FG For R, NPT thread

Dimensions/ Elbow type

Seal method: Sealant
For R, NPT thread



Metric Size

Model	d	T	H	D1	D3	L1	L2	L3	L4 <small>Note 1)</small>		A <small>Note 1)</small>		M	Weight [g]
									Unlocked	Locked	Unlocked	Locked		
AS22□1FG-01-23(S)A	3.2	1/8	13 (12.7)	7.2	12	19.1	26.2	19.1	30.6	29.2	27.5	26.1	13.3	9 (9)
AS22□1FG-01-04(S)A	4			8.2										10 (9)
AS22□1FG-01-06(S)A	6			10.4										11 (10)
AS22□1FG-01-08(S)A	8			13.2										12 (11)
AS22□1FG-01-10(S)A	10			15.9		25.3	32.4							
AS22□1FG-02-23(S)A	3.2	1/4	17 (17.5)	7.2	13	20.9	30.2 (30.3)	22.6	36.6	35	31.1	29.5	13.3	17 (18)
AS22□1FG-02-04(S)A	4			8.2										18 (19)
AS22□1FG-02-06(S)A	6			10.4										19 (20)
AS22□1FG-02-08(S)A	8			13.2										20 (21)
AS22□1FG-02-10(S)A	10			15.9		26.9	36.2 (36.3)							
AS32□1FG-02-06(S)A	6	1/4	19	10.4	16.6	21.8	32.1	36.4	50	48.4	44.5	42.9	13.3	40 (40)
AS32□1FG-02-08(S)A	8			13.2										41 (41)
AS32□1FG-02-10(S)A	10			15.9										42 (42)
AS32□1FG-02-12(S)A	12			18.5										43 (43)
AS32□1FG-03-06(S)A	6	3/8	19	10.4	16.6	21.8	32.1	28.7	42.3	40.7	37.1	35.5	13.3	29 (30)
AS32□1FG-03-08(S)A	8			13.2										30 (31)
AS32□1FG-03-10(S)A	10			15.9										31 (32)
AS32□1FG-03-12(S)A	12			18.5										32 (33)
AS42□1FG-04-10(S)A	10	1/2	24 (23.8)	15.9	18.8	27.4	40.3 (40.2)	36.2	50.8	49.2	43.7	42.1	15.6	52 (51)
AS42□1FG-04-12(S)A	12			18.5										53 (53)
AS42□1FG-04-16(S)A	16			23.8										57 (57)

Note 1) Reference dimensions Note 2) Reference dimensions of threads after installation Note 3) The values in () are for NPT thread.

Inch Size

Model	d	T	H	D1	D3	L1	L2	L3	L4 <small>Note 1)</small>		A <small>Note 2)</small>		M	Weight [g]
									Unlocked	Locked	Unlocked	Locked		
AS22□1FG-01-01(S)A	1/8"	1/8	13 (12.7)	7.2	12	19.1	26.2	19.1	30.6	29.2	27.5	26.1	13.3	9 (9)
AS22□1FG-01-03(S)A	5/32"			8.2										10 (9)
AS22□1FG-01-07(S)A	1/4"			11.2										11 (10)
AS22□1FG-01-09(S)A	5/16"			13.2										12 (11)
AS22□1FG-02-01(S)A	1/8"	1/4	17 (17.5)	7.2	13	20.9	30.2 (30.3)	22.6	36.6	35	31.1	29.5	13.3	17 (18)
AS22□1FG-02-03(S)A	5/32"			8.2										18 (19)
AS22□1FG-02-07(S)A	1/4"			11.2										19 (20)
AS22□1FG-02-09(S)A	5/16"			13.2										20 (21)
AS22□1FG-02-11(S)A	3/8"			15.5		26.4	35.7 (35.8)							
AS32□1FG-02-07(S)A	1/4"	1/4	19	11.2	16.6	21.8	32.1	36.4	50	48.4	44.5	42.9	13.3	40 (40)
AS32□1FG-02-09(S)A	5/16"			13.2										41 (41)
AS32□1FG-02-11(S)A	3/8"			15.5										42 (42)
AS32□1FG-03-07(S)A	1/4"			11.2										43 (43)
AS32□1FG-03-09(S)A	5/16"	3/8	19	11.2	16.6	21.8	32.1	28.7	42.3	40.7	37.1	35.5	13.3	29 (30)
AS32□1FG-03-09(S)A	5/16"			13.2										30 (31)
AS32□1FG-03-11(S)A	3/8"			15.5										31 (32)
AS42□1FG-04-11(S)A	3/8"	1/2	24 (23.8)	15.5	18.8	27.4	40.3 (40.2)	36.2	50.8	49.2	43.7	42.1	15.6	52 (51)
AS42□1FG-04-13(S)A	1/2"			19.3										53 (53)

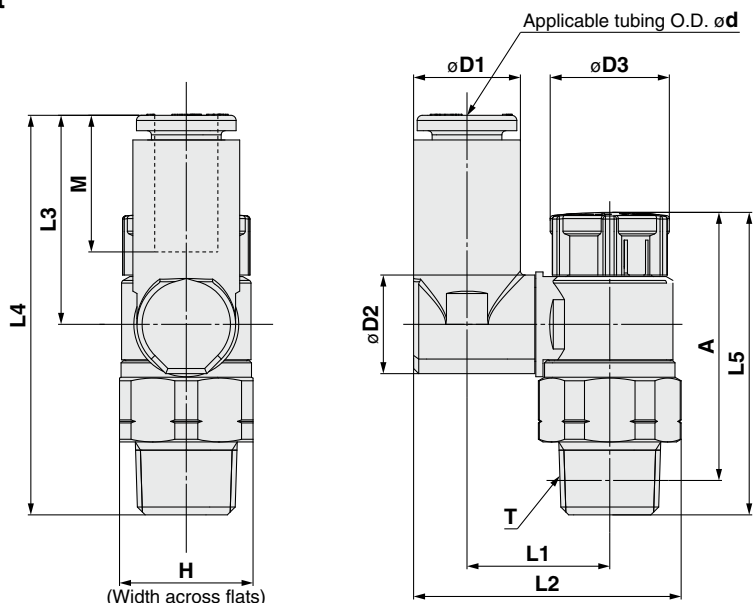
Note 1) Reference dimensions Note 2) Reference dimensions of threads after installation Note 3) The values in () are for NPT thread.

Speed Controller with One-touch Fitting
Stainless Steel Type For R, NPT thread

Series AS-FG

Dimensions/ **Universal type**

Seal method: Sealant
For R, NPT thread



Sealant/Gasket seal
AS-FG

Face seal

Gasket seal
Uni-AS

Metric Size

Model	d	T	H	D1	D2	D3	L1	L2	L3	L4	L5 Note 1)		A Note 2)		M	Weight [g]		
											Unlocked	Locked	Unlocked	Locked				
AS23□1FG-01-23(S)A	3.2	1/8	13 (12.7)	7.2	9.6	12	13.3	24	17.5	36	30.6	29.2	27.5	26.1	13.3	10 (9)		
AS23□1FG-01-04(S)A	4			8.2			13.9	25.1								10 (10)		
AS23□1FG-01-06(S)A	6			10.4			26.2	20.4								38.8		
AS23□1FG-01-08(S)A	8	1/4	17 (17.5)	13.2	12.9	13	16.4	30.1	21.5	40	36.6	35	31.1	29.5	14.2	12 (11)		
AS23□1FG-02-04(S)A	4			8.2			16.5	29.9 (30)							17.5	40.1	18 (19)	
AS23□1FG-02-06(S)A	6			11.2			19	33.8 (33.9)							21.4	43.9	20 (21)	
AS23□1FG-02-08(S)A	8	13.2	19	15.9	17.4	16.6	20.9	34.9 (35)	23.5	46	50	48.4	44.5	42.9	14.2	21 (22)		
AS23□1FG-02-10(S)A	10	15.9		23			38.1 (38.2)	24.7							47.3	23 (23)		
AS33□1FG-02-06(S)A	6	11.2		20.2			36	21.4							57.8	13.3	42 (42)	
AS33□1FG-02-08(S)A	8	13.2	19	15.9	17.4	16.6	20.2	37.1	23.5	59.9	50	48.4	44.5	42.9	14.2	43 (43)		
AS33□1FG-02-10(S)A	10	15.9		23			41.2	26.1							62.5	15.6	46 (46)	
AS33□1FG-02-12(S)A	12	18.5		23			42.5	28.3							64.7	17	48 (48)	
AS33□1FG-03-06(S)A	6	3/8	19	11.2	12.9	16.6	20.2	36	21.4	50.1	42.3	40.7	37.1	35.5	13.3	32 (33)		
AS33□1FG-03-08(S)A	8			13.2			20.2	37.1							23.5	52.2	14.2	33 (34)
AS33□1FG-03-10(S)A	10			15.9			23	41.2							26.1	54.8	15.6	37 (38)
AS33□1FG-03-12(S)A	12	18.5	23	42.5	28.3	57	17	38 (39)										
AS43□1FG-04-10(S)A	10	1/2	24 (23.8)	15.9	17.4	18.8	25.6	46.4 (46.3)	26.1	61.2	50.8	49.2	43.7	42.1	15.6	58 (57)		
AS43□1FG-04-12(S)A	12			18.5			26.2	48.3 (48.2)							28.3	63.4	17	62 (61)

Note 1) Reference dimensions Note 2) Reference dimensions of threads after installation Note 3) The values in () are for NPT thread.

Inch Size

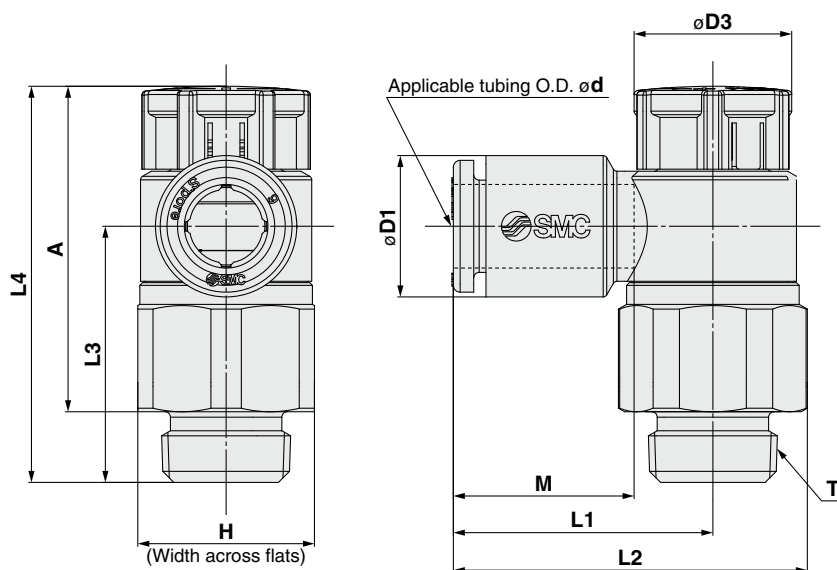
Model	d	T	H	D1	D2	D3	L1	L2	L3	L4	L5 Note 1)		A Note 2)		M	Weight [g]		
											Unlocked	Locked	Unlocked	Locked				
AS23□1FG-01-01(S)A	1/8"	1/8	13 (12.7)	7.2	9.6	12	13.3	24	17.5	36	30.6	29.2	27.5	26.1	13.3	10 (9)		
AS23□1FG-01-03(S)A	5/32"			8.2			13.9	25.1								11 (10)		
AS23□1FG-01-07(S)A	1/4"			11.2			29.1	20.2								38.7	11 (10)	
AS23□1FG-01-09(S)A	5/16"	1/4	17 (17.5)	13.2	10.2	16.4	16.4	30.1	21.5	40	36.6	35	31.1	29.5	14.2	12 (11)		
AS23□1FG-02-03(S)A	5/32"			8.2			16.5	29.9 (30)							17.5	40.1	18 (19)	
AS23□1FG-02-07(S)A	1/4"			11.2			19	33.8 (33.9)							21.4	43.9	20 (21)	
AS23□1FG-02-09(S)A	5/16"	13.2	19	15.9	17.4	16.6	20.9	34.9 (35)	23.5	46	50	48.4	44.5	42.9	14.2	21 (22)		
AS23□1FG-02-11(S)A	3/8"	15.9		23			38.1 (38.2)	24.7							47.3	15.6	23 (23)	
AS33□1FG-02-07(S)A	1/4"	11.2		20.2			36	21.4							57.8	13.3	42 (42)	
AS33□1FG-02-09(S)A	5/16"	13.2	19	15.9	17.4	16.6	20.2	37.1	23.5	59.9	50	48.4	44.5	42.9	14.2	43 (43)		
AS33□1FG-02-11(S)A	3/8"	15.9		23			41.2	26.1							62.5	15.6	46 (46)	
AS33□1FG-03-07(S)A	1/4"	11.2		23			42.5	28.3							64.7	17	48 (48)	
AS33□1FG-03-09(S)A	5/16"	3/8	19	11.2	12.9	16.6	20.2	36	21.4	50.1	42.3	40.7	37.1	35.5	13.3	32 (33)		
AS33□1FG-03-11(S)A	3/8"			13.2			20.2	37.1							23.5	52.2	14.2	33 (34)
AS33□1FG-03-13(S)A	3/8"			15.9			23	41.2							26.1	54.8	15.6	37 (38)
AS43□1FG-04-11(S)A	3/8"	1/2	24 (23.8)	15.9	17.4	18.8	25.6	46.4 (46.3)	26.1	61.2	50.8	49.2	43.7	42.1	15.6	58 (57)		
AS43□1FG-04-13(S)A	1/2"			18.5			26.2	48.3 (48.2)							28.3	63.4	17	61 (60)

Note 1) Reference dimensions Note 2) Reference dimensions of threads after installation Note 3) The values in () are for NPT thread.

Series AS-FG For G thread

Dimensions/ Elbow type

Seal method: Face seal
For G thread



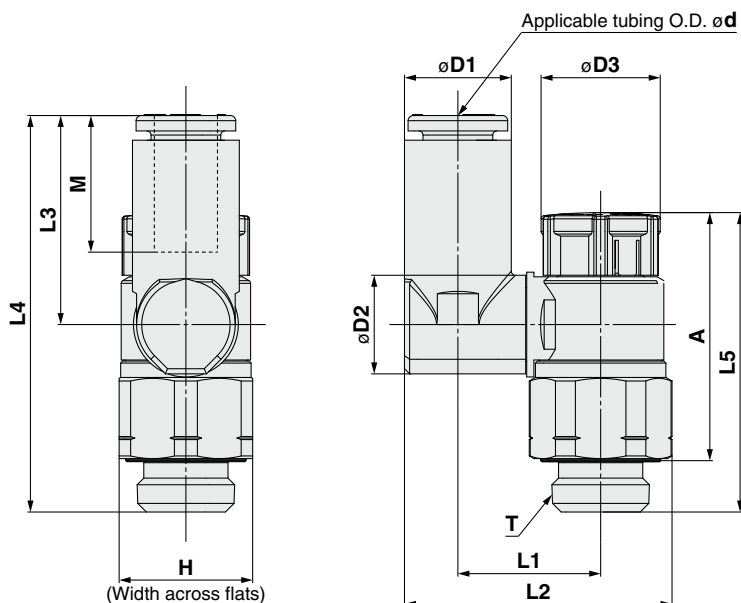
Metric Size

[mm]

Model	d	T	H	D1	D3	L1	L2	L3	L4		A		M	Weight [g]
									Unlocked	Locked	Unlocked	Locked		
AS22□1FG-G01-23A	3.2	1/8	13	7.2	12	19.1	26.2	18.8	30.3	28.9	24.8	23.4	13.3	10
AS22□1FG-G01-04A	4			8.2										
AS22□1FG-G01-06A	6			10.4										
AS22□1FG-G01-08A	8			13.2										
AS22□1FG-G01-10A	10			15.9		25.3	32.4						15.6	12
AS22□1FG-G02-23A	3.2	1/4	17	7.2	13	20.9	30.2	22.6	36.6	35	30.1	28.5	13.3	20
AS22□1FG-G02-04A	4			8.2										
AS22□1FG-G02-06A	6			10.4										
AS22□1FG-G02-08A	8			13.2										
AS22□1FG-G02-10A	10			15.9		26.9	36.2						15.6	22
AS32□1FG-G02-06A	6	1/4	21	10.4	16.6	21.8	33	36.4	50	48.4	43.5	41.9	13.3	50
AS32□1FG-G02-08A	8			13.2										
AS32□1FG-G02-10A	10			15.9										
AS32□1FG-G02-12A	12			18.5										
AS32□1FG-G03-06A	6	3/8	21	10.4	16.6	21.8	33	28.7	42.3	40.7	34.8	33.2	13.3	37
AS32□1FG-G03-08A	8			13.2										
AS32□1FG-G03-10A	10			15.9										
AS32□1FG-G03-12A	12			18.5										
AS42□1FG-G04-10A	10	1/2	27	15.9	18.8	27.4	41.8	36.2	50.8	49.2	41.8	40.2	15.6	69
AS42□1FG-G04-12A	12			18.5										
AS42□1FG-G04-16A	16			23.8										

Dimensions/ Universal type

Seal method: Face seal
For G thread



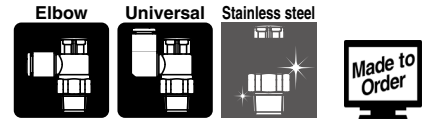
Sealant/Gasket seal
AS-FG

Face seal

Gasket seal
Uni-AS

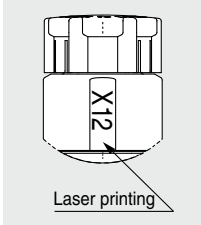
Metric Size

Model	d	T	H	D1	D2	D3	L1	L2	L3	L4	L5		A		M	Weight [g]
											Unlocked	Locked	Unlocked	Locked		
AS23□1FG-G01-23A	3.2	1/8	13	7.2	9.6	12	13.3	24.0	17.5	35.7	30.3	28.9	24.8	23.4	13.3	10
AS23□1FG-G01-04A	4			8.2			25.1	10								
AS23□1FG-G01-06A	6			10.4			26.2	11								
AS23□1FG-G01-08A	8			13.2			20.4	12								
AS23□1FG-G02-04A	4	1/4	17	8.2	12.9	13	16.5	29.9	17.5	40.1	36.6	35	30.1	28.5	13.3	21
AS23□1FG-G02-06A	6			10.4			33.8	23								
AS23□1FG-G02-08A	8			13.2			21.4	24								
AS23□1FG-G02-10A	10			15.9			23.5	25								
AS33□1FG-G02-06A	6	1/4	21	10.4	12.9	16.6	20.2	36.6	21.4	57.8	50	48.4	43.5	41.9	13.3	51
AS33□1FG-G02-08A	8			13.2			38.0	52								
AS33□1FG-G02-10A	10			15.9			26.1	53								
AS33□1FG-G02-12A	12			18.5			28.3	54								
AS33□1FG-G03-06A	6	3/8	21	10.4	12.9	16.6	20.2	36.6	21.4	50.1	42.3	40.7	34.8	33.2	13.3	40
AS33□1FG-G03-08A	8			13.2			38.0	41								
AS33□1FG-G03-10A	10			15.9			26.1	42								
AS33□1FG-G03-12A	12			18.5			28.3	43								
AS43□1FG-G04-10A	10	1/2	27	15.9	17.4	18.8	25.6	47.9	26.1	61.2	50.8	49.2	41.8	40.2	15.6	75
AS43□1FG-G04-12A	12			18.5	21		26.2	49.8	28.3	63.4						17



1 Lubricant: Vaseline

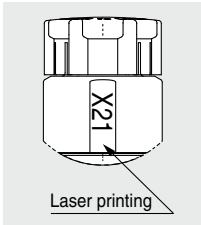
-X12



Example) AS2201FG-01-04SA-X12

2 Grease-free (Seal: Fluorine-coated) + Restrictor (Without check valve)

-X21



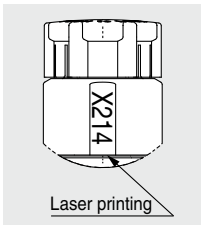
Example) AS2201FG-01-04SA-X21

Note 1) Not particle-free

Note 2) The restrictor is only compatible with the part number of the meter-out type.

3 Restrictor (Without check valve)

-X214

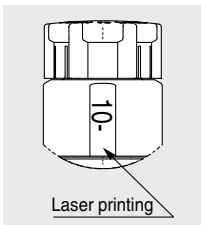


Example) AS2201FG-01-04SA-X214

Note) The restrictor is only compatible with the part number of the meter-out type.

4 Clean Series

10-



Example) 10-AS2201FG-01-04SA

Note 1) Fluorine grease is used.

Note 2) The particulate generation grade is 3.

Note 3) Excluding G thread type.

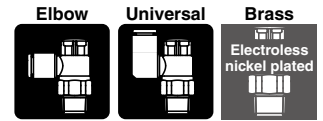
Speed Controller with One-touch Fitting

Face Seal

Elbow Type/Universal Type

Series AS

RoHS



* Only G thread

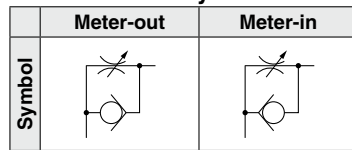
Model

Model		Port size	Seal method	Applicable tubing O.D.															
Elbow type	Universal type			Metric size						Inch size									
				3.2	4	6	8	10	12	16	1/8"	5/32"	1/4"	5/16"	3/8"	1/2"			
AS22□1F-G01	AS23□1F-G01	G	Face seal	●	●	●	●	● (Note)											
AS22□1F-G02	AS23□1F-G02			1/8	● (Note)	●	●	●	●										
AS32□1F-G02	AS33□1F-G02			1/4			●	●	●	●									
AS32□1F-G03	AS33□1F-G03			3/8			●	●	●	●									
AS42□1F-G04	AS43□1F-G04			1/2					●	●	● (Note)								
AS22□1F-01-□PA	—	R NPT	Face seal	1/8	●	●	●	●	●			●	●	●	●				
AS22□1F-02-□PA	—			1/4	●	●	●	●	●			●	●	●	●	●	●		
AS32□1F-03-□PA	—			3/8			●	●	●	●			●	●	●	●	●		
AS42□1F-04-□PA	—			1/2					●	●						●	●	●	

Note) Universal type is not available.

Specifications

Flow Direction Symbols on Body



Fluid	Air
Proof pressure	1.5 MPa
Max. operating pressure	1 MPa
Min. operating pressure	0.1 MPa
Ambient and fluid temperature	-5 to 60°C (No freezing)
Applicable tubing material	Nylon, Soft nylon, Polyurethane (Note), FEP, PFA

Note) Use caution at the max. operating pressure when using soft nylon or polyurethane tubing. (Refer to the WEB catalog or the Best Pneumatics No. 6 for details.)

Flow Rate and Sonic Conductance

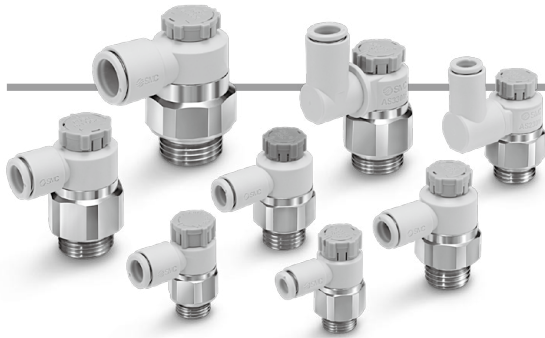
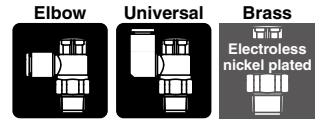
Caution

Be sure to read this before handling. Refer to the back cover for Safety Instructions. For Flow Control Equipment Precautions, refer to "Handling Precautions for SMC Products" and the Operation Manual on SMC website, <http://www.smcworld.com>

Model	AS2□□1F-G01 AS22□1F-01-□PA			AS2□□1F-G02 AS22□1F-02-□PA				AS3□□1F-G02/03 AS32□1F-03-□PA			AS4□□1F-G04 AS42□1F-04-□PA			
	Metric size	ø3.2	ø4	ø6	ø8	ø10	ø3.2	ø4	ø6	ø8	ø10	ø12	ø10	ø12
Tubing O.D.	Note 2) Inch size	ø1/8"	ø5/32"	ø1/4" ø5/16"	ø1/8"	ø5/32"	—	ø1/4" ø5/16" ø3/8"	ø1/4"	ø5/16"	ø3/8"	ø3/8"	ø3/8"	ø1/2"
C values: Sonic conductance dm ³ /(s·bar)	Free flow	0.4	0.6	0.6	0.7	1.0	1.3	1.5	1.6	1.7	2.5	4.4	4.8	
	Controlled flow	0.4	0.7	0.8	0.6	0.9	1.3	2.1	2.4	3.3	4.4	4.9		
b values: Critical pressure ratio	Free flow	0.2	0.3	0.3	0.3	0.4	0.3	0.3	0.4	0.3	0.3	0.3		
	Controlled flow	0.2	0.3	0.3	0.3	0.4	0.3	0.3	0.3	0.3	0.3			

Note 1) C and b values are for controlled flow with the needle fully open and free flow with the needle fully closed.

Note 2) G thread is not available.



How to Order

Type

2	Elbow
3	Universal

Thread type

G	G
---	---

G thread AS 2 2 0 1 F - G 01 - 06 A

R, NPT thread AS 2 2 0 1 F - [] 01 - 06 P A

Body size

2	1/8, 1/4
3	3/8
4	1/2

Type

2	Elbow
---	-------

Control type

0	Meter-out
1	Meter-in

Thread type

Nil	R
N	NPT

Port size

01	1/8
02	1/4
03	3/8
04	1/2

Push-lock type

Seal method

P	Face seal
---	-----------

Applicable tubing O.D. Note 1)

Metric size	Inch size
23	ø3.2 Note 2)
04	ø4
06	ø6
08	ø8
10	ø10
12	ø12
16	ø16 Note 4)
01	ø1/8"
03	ø5/32"
07	ø1/4"
09	ø5/16"
11	ø3/8"
13	ø1/2"

Note 1) For selecting applicable tubing O.D., refer to the "Model" on page 27.
 Note 2) Use ø1/8" tube.
 Note 3) Only the metric size is available for the G thread type.
 Note 4) Only G thread

Sealant/Gasket seal
AS-FG
AS

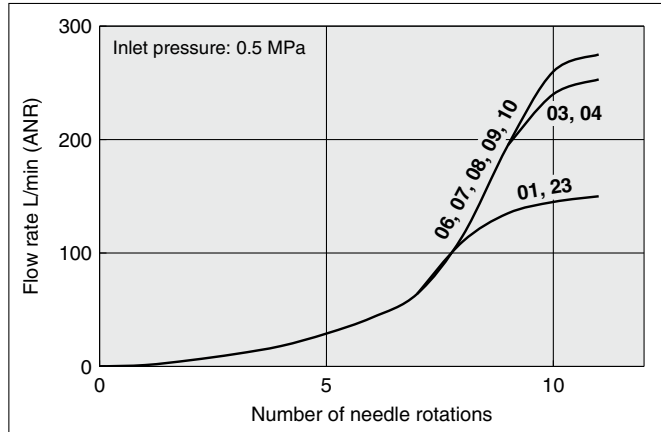
Face seal

Gasket seal
Uni-AS

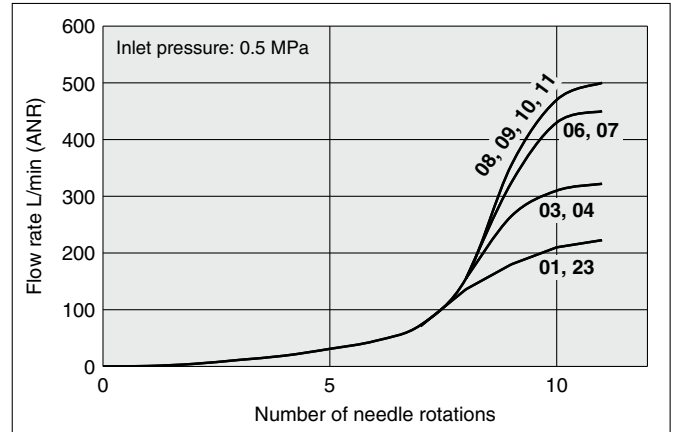
Series AS

Needle Valve/Flow-rate Characteristics

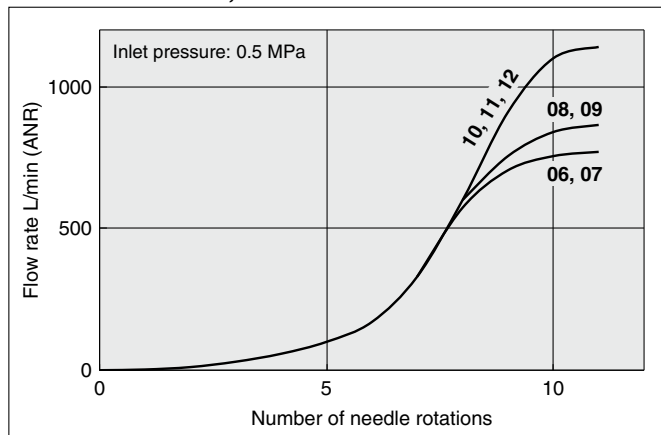
AS2201F-G01-□, AS2211F-G01-□
 AS2301F-G01-□, AS2311F-G01-□
 AS2201F-01-□PA, AS2211F-01-□PA



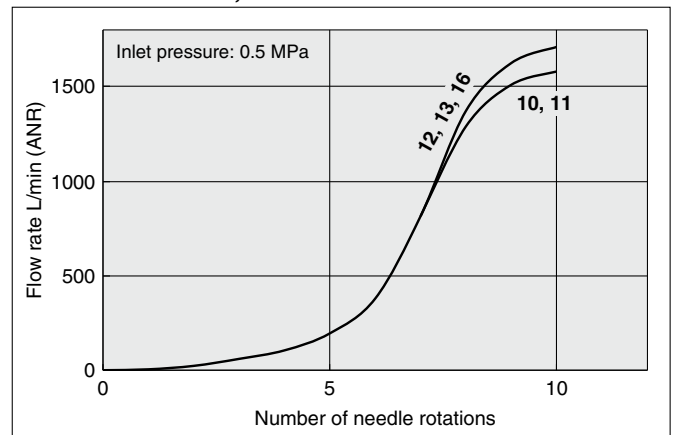
AS2201F-G02-□, AS2211F-G02-□
 AS2301F-G02-□, AS2311F-G02-□
 AS2201F-02-□PA, AS2211F-02-□PA



AS3201F-G02/03-□, AS3211F-G02/03-□
 AS3301F-G02/03-□, AS3311F-G02/03-□
 AS3201F-03-□PA, AS3211F-03-□PA



AS4201F-G04-□, AS4211F-G04-□
 AS4301F-G04-□, AS4311F-G04-□
 AS4201F-04-□PA, AS4211F-04-□PA

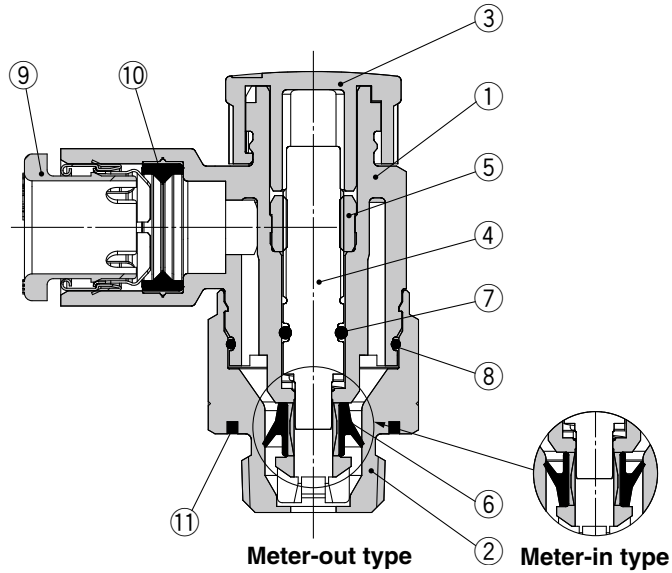


Note) The numbers above the flow-rate characteristic curves in the charts show the applicable tubing outside diameter as defined by the product number.

Construction

Elbow type

Seal method: Face seal
For G, R, NPT thread

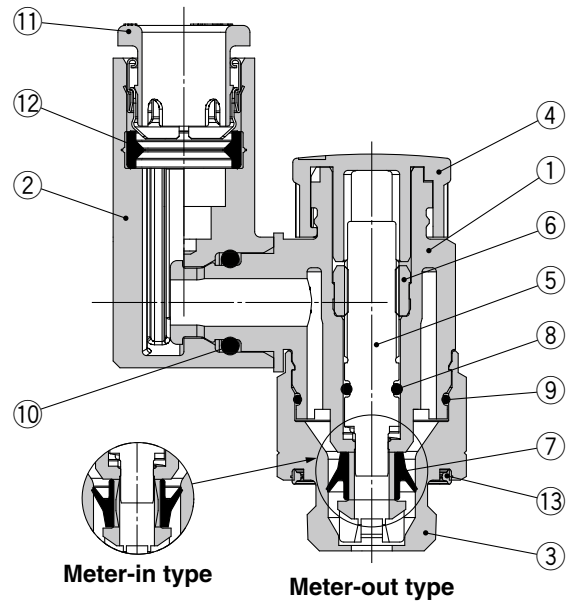


Component Parts

No.	Description	Material	Note
1	Body A	PBT	
2	Body B	Brass	Electroless nickel plating
3	Knob	POM	
4	Needle	PBT	
5	Needle guide	Brass	Electroless nickel plating
6	U-seal	HNBR	
7	O-ring	NBR	
8	O-ring	NBR	
9	Cassette	—	
10	Seal	NBR	
11	Seal	NBR	

Universal type

Seal method: Face seal
For G thread



Component Parts

No.	Description	Material	Note
1	Body A	PBT	
2	Elbow body	PBT	
3	Body B	Stainless steel	
4	Knob	POM	
5	Needle	PBT	
6	Needle guide	Stainless steel	
7	U-seal	HNBR	
8	O-ring	NBR	
9	O-ring	NBR	
10	O-ring	NBR	
11	Cassette	—	
12	Seal	NBR	
13	Seal	NBR	

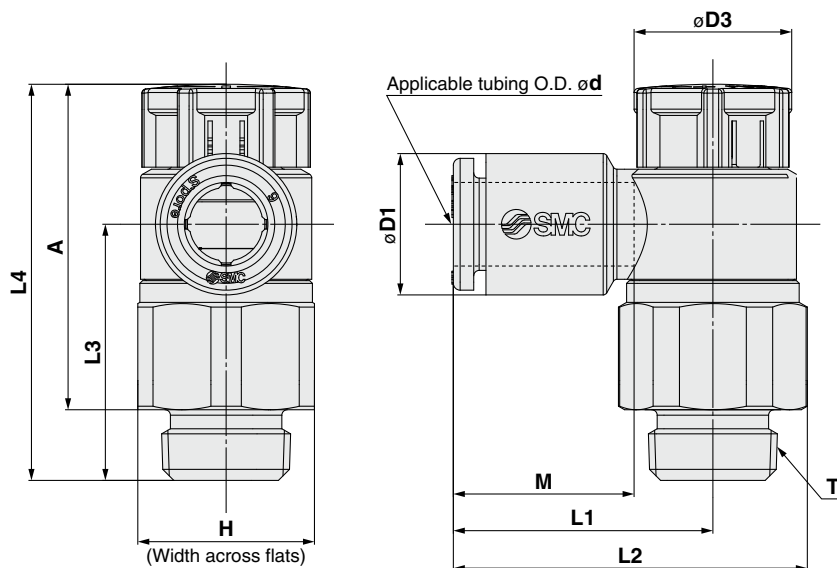
Sealant/Gasket seal
AS-FG
AS

Face seal

Gasket seal
Uni-AS

Dimensions/ Elbow type

Seal method: Face seal
For G thread



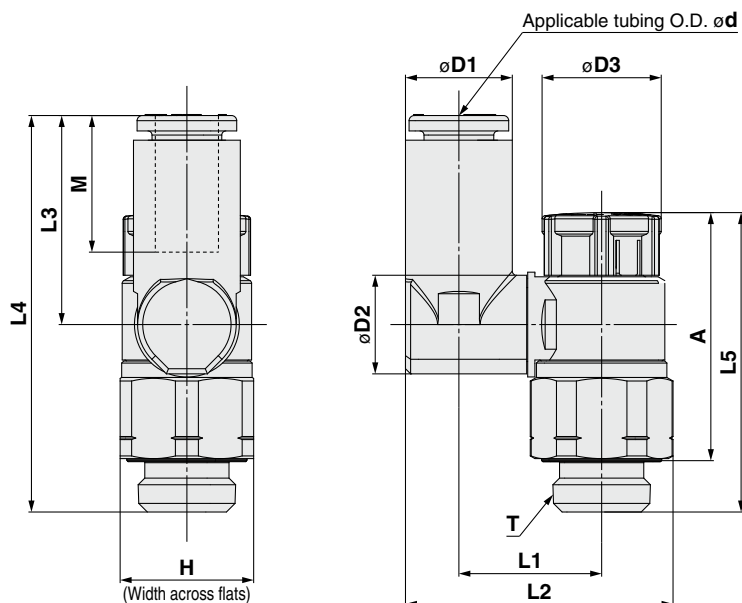
Metric Size

[mm]

Model	d	T	H	D1	D3	L1	L2	L3	L4		A		M	Weight [g]
									Unlocked	Locked	Unlocked	Locked		
AS22□1F-G01-23A	3.2	1/8	13	7.2	12	19.1	26.2	18.8	30.3	28.9	24.8	23.4	13.3	10
AS22□1F-G01-04A	4			8.2										
AS22□1F-G01-06A	6			10.4										
AS22□1F-G01-08A	8			13.2										
AS22□1F-G01-10A	10			15.9										
AS22□1F-G02-23A	3.2	1/4	17	7.2	13	20.9	30.2	22.6	36.6	35	30.1	28.5	13.3	21
AS22□1F-G02-04A	4			8.2										
AS22□1F-G02-06A	6			10.4										
AS22□1F-G02-08A	8			13.2										
AS22□1F-G02-10A	10			15.9										
AS32□1F-G02-06A	6	1/4	21	10.4	16.6	21.8	33	36.4	50	48.4	43.5	41.9	13.3	50
AS32□1F-G02-08A	8			13.2										
AS32□1F-G02-10A	10			15.9										
AS32□1F-G02-12A	12			18.5										
AS32□1F-G03-06A	6			3/8										
AS32□1F-G03-08A	8	13.2												
AS32□1F-G03-10A	10	15.9												
AS32□1F-G03-12A	12	18.5												
AS42□1F-G04-10A	10	1/2	27		15.9	18.8	27.4	41.8	36.2	50.8	49.2	41.8	40.2	15.6
AS42□1F-G04-12A	12			18.5										
AS42□1F-G04-16A	16			23.8										
				34.8										

Dimensions/ **Universal type**

Seal method: Face seal
For G thread



Sealant/Gasket seal
AS-FG
AS

Face seal

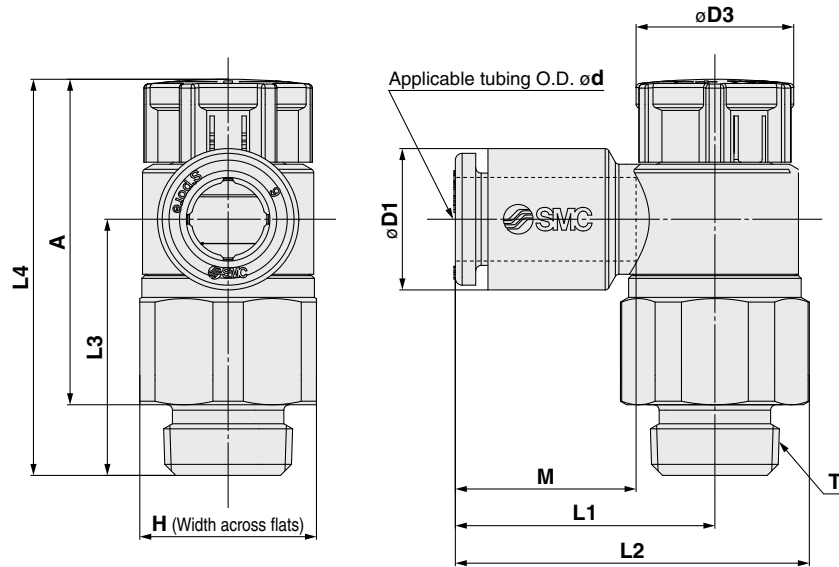
Gasket seal
Uni-AS

Metric Size

Model	d	T	H	D1	D2	D3	L1	L2	L3	L4	L5		A		M	Weight [g]
											Unlocked	Locked	Unlocked	Locked		
AS23□1F-G01-23A	3.2	1/8	13	7.2	9.6	12	13.3	24.0	17.5	35.7	30.3	28.9	24.8	23.4	13.3	10
AS23□1F-G01-04A	4			8.2			25.1	11								
AS23□1F-G01-06A	6			10.4			26.2	20.4	38.5	11						
AS23□1F-G01-08A	8			13.2			10.2	16.4	30.1	21.5						39.7
AS23□1F-G02-04A	4	1/4	17	8.2	12.9	13	16.5	29.9	17.5	40.1	36.6	35	30.1	28.5	13.3	22
AS23□1F-G02-06A	6			10.4			33.8	21.4	43.9	24						
AS23□1F-G02-08A	8			13.2			34.9	23.5	46.0	25						
AS23□1F-G02-10A	10			15.9			20.9	38.1	24.7	47.3						26
AS33□1F-G02-06A	6	1/4	21	10.4	12.9	16.6	20.2	36.6	21.4	57.8	50	48.4	43.5	41.9	13.3	51
AS33□1F-G02-08A	8			38.0				23.5	59.9	52						
AS33□1F-G02-10A	10			42.2			26.1	58.0	55							
AS33□1F-G02-12A	12			15.9			23	43.5	28.3	59.9						57
AS33□1F-G03-06A	6	3/8	21	10.4	12.9	16.6	20.2	36.6	21.4	50.1	42.3	40.7	34.8	33.2	13.3	41
AS33□1F-G03-08A	8			38.0				23.5	52.2	42						
AS33□1F-G03-10A	10			42.2			26.1	50.3	46							
AS33□1F-G03-12A	12			15.9			23	43.5	28.3	52.2						47
AS43□1F-G04-10A	10	1/2	27	15.9	17.4	18.8	25.6	47.9	26.1	61.2	50.8	49.2	41.8	40.2	15.6	78
AS43□1F-G04-12A	12			18.5	21		26.2	49.8	28.3	63.4						82

Dimensions/ Elbow type

Seal method: Face seal
For R, NPT thread



Metric Size

Model	d	T	H	D1	D3	L1	L2	L3	L4		A		M	Weight [g]
									Unlocked	Locked	Unlocked	Locked		
AS22□1F-01-23PA	3.2	1/8	13 (12.7)	7.2	12	19.1	26.2	18.8	30.3	28.9	25.1 (24.9)	23.7 (23.5)	13.3	10 (9)
AS22□1F-01-04PA	4													
AS22□1F-01-06PA	6													
AS22□1F-01-08PA	8													
AS22□1F-01-10PA	10													
AS22□1F-02-23PA	3.2	1/4	17 (17.5)	7.2	13	20.9	30.2 (30.3)	22.6	36.6	35	29 (28.5)	27.4 (26.9)	13.3	19 (19)
AS22□1F-02-04PA	4			8.2		32.7 (32.8)	19 (20)							
AS22□1F-02-06PA	6			10.4		33.2 (33.3)	20 (20)							
AS22□1F-02-08PA	8			13.2		36.2 (36.3)	20 (21)							
AS22□1F-02-10PA	10			15.9		26.9	21 (22)							
AS32□1F-03-06PA	6	3/8	21 (21.7)	10.4	16.6	21.8	33 (33.4)	28.7	42.3	40.7	34.7 (34.2)	33.1 (32.6)	13.3	37 (39)
AS32□1F-03-08PA	8			13.2		33.9 (34.3)	38 (40)							
AS32□1F-03-10PA	10			15.9		37.9 (38.3)	39 (41)							
AS32□1F-03-12PA	12			18.5		40.9 (41.3)	41 (42)							
AS42□1F-04-10PA	10			15.9		27.4	41.8 (42.6)							42 (42)
AS42□1F-04-12PA	12	1/2	28.6	18.8	30.8	45.2 (46)	35.1	50.8	49.2	40.4	38.8	15.6	66 (72)	
													17	68 (74)

Note) The values in () are for NPT thread.

Inch Size

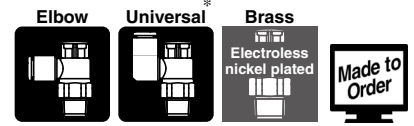
Model	d	T	H	D1	D3	L1	L2	L3	L4		A		M	Weight [g]
									Unlocked	Locked	Unlocked	Locked		
AS22□1F-01-01PA	1/8"	1/8	13 (12.7)	7.2	12	19.1	26.2	18.8	30.3	28.9	25.1 (24.9)	23.7 (23.5)	13.3	10 (9)
AS22□1F-01-03PA	5/32"			8.2										10 (10)
AS22□1F-01-07PA	1/4"			11.2										11 (11)
AS22□1F-01-09PA	5/16"			13.2										11 (11)
AS22□1F-02-01PA	1/8"			7.2										19 (19)
AS22□1F-02-03PA	5/32"	8.2	19 (20)											
AS22□1F-02-07PA	1/4"	1/4	17 (17.5)	11.2	13	23.4	32.7 (32.8)	22.6	36.6	35	29 (28.5)	27.4 (26.9)	13.3	20 (20)
AS22□1F-02-09PA	5/16"			13.2		33.2 (33.3)	20 (21)							
AS22□1F-02-11PA	3/8"			15.5		36.2 (36.3)	21 (22)							
AS32□1F-03-07PA	1/4"			11.2		37.9 (38.3)	39 (40)							
AS32□1F-03-09PA	5/16"			13.2		40.9 (41.3)	41 (42)							
AS32□1F-03-11PA	3/8"	15.5	27.4	41.8 (42.6)	42 (42)									
AS42□1F-04-11PA	3/8"	1/2	27 (28.6)	18.8	27.4	41.8 (42.6)	36.2	50.8	49.2	40.4	38.8	15.6	66 (72)	
AS42□1F-04-13PA	1/2"				19.3	34.7	17							68 (74)

Note) The values in () are for NPT thread.

Series AS

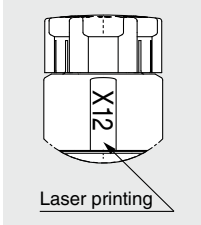
Made to Order

Please contact SMC for detailed dimensions, specifications and delivery.



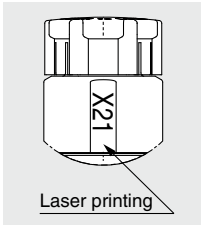
* R, NPT threads are not available

1 Lubricant: Vaseline -X12



Example) AS2201F-G01-04A-X12

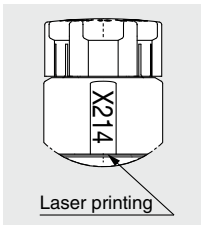
2 Grease-free (Seal: Fluorine-coated) + Restrictor (Without check valve) -X21



Example) AS2201F-G01-04A-X21

Note 1) Not particle-free
Note 2) The restrictor is only compatible with the part number of the meter-out type.
Note 3) Only the needle and O-ring are fluorine-coated.

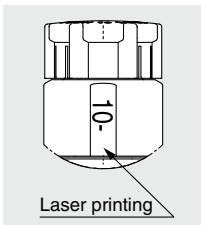
3 Restrictor (Without check valve) -X214



Example) AS2201F-G01-04A-X214

Note) The restrictor is only compatible with the part number of the meter-out type.

4 Clean Series 10-



Example) 10-AS2201F-G01-04A

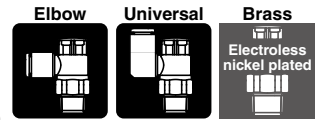
Note 1) Fluorine grease is used.
Note 2) The particulate generation grade is 3.
Note 3) Excluding G thread type.

Sealant/Gasket seal
AS-FG AS

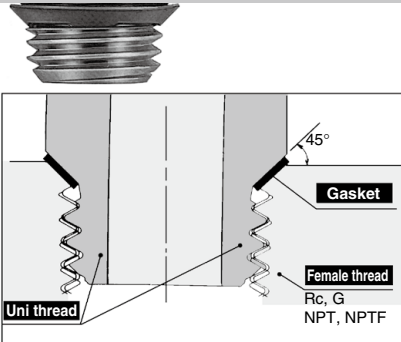
Face seal

Gasket seal
Uni-AS

Speed Controller with Uni One-touch Fitting Series AS



New-stand male threads for piping that reduces the screw-in time by 1/3.



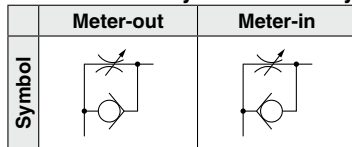
Shape of Uni thread ridge

Use of the chamfered surface of the female thread as the seat surface and adoption of gaskets made by laminating NBR on both surfaces of stainless steel plates achieve secure sealing regardless of the difference of diameters due to the female thread type, deviations due to the tolerance, or the size of the chamfered corner. (Any standard chamfered female thread can be used.)

A ridge shape has been created as a Uni thread for common applications for Rc, G, NPT and NPTF.

The gasket seal method drastically cuts piping work-hours.

Flow Direction Symbols on Body



Caution

Be sure to read this before handling. Refer to the back cover for Safety Instructions. For Flow Control Equipment Precautions, refer to "Handling Precautions for SMC Products" and the Operation Manual on SMC website, <http://www.smcworld.com>

Model

Model		Uni thread size	Applicable tubing O.D.												
Elbow type	Universal type		Metric size						Inch size						
			3.2	4	6	8	10	12	16	1/8"	5/32"	1/4"	5/16"	3/8"	1/2"
AS22□1F-U01	AS23□1F-U01	1/8	●	●	●	●	● ^{Note)}			●	●	●	●		
AS22□1F-U02	AS23□1F-U02	1/4	● ^{Note)}	●	●	●	●			● ^{Note)}	●	●	●	●	
AS32□1F-U02	AS33□1F-U02	1/4			●	●	●	●				●	●	●	
AS32□1F-U03	AS33□1F-U03	3/8			●	●	●	●				●	●	●	
AS42□1F-U04	AS43□1F-U04	1/2					●	●	● ^{Note)}					●	●

Note) Universal type is not available.

Specifications

Fluid	Air
Proof pressure	1.5 MPa
Max. operating pressure	1 MPa
Min. operating pressure	0.1 MPa
Ambient and fluid temperature	-5 to 60°C (No freezing)
Applicable tubing material	Nylon, Soft nylon, Polyurethane ^{Note)}

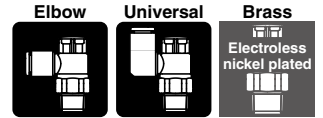
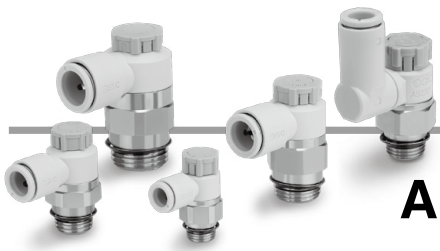
Note) Use caution at the max. operating pressure when using soft nylon or polyurethane tubing. (Refer to the WEB catalog or the Best Pneumatics No. 6 for details.)

Flow Rate and Sonic Conductance

Model		AS22□1F-U01 AS23□1F-U01			AS22□1F-U02 AS23□1F-U02			AS32□1F AS33□1F			AS42□1F AS43□1F		
Tubing O.D.	Metric size	ø3.2	ø4	ø6 ø8 ø10	ø3.2	ø4	ø6	ø8 ø10	ø6	ø8	ø10 ø12	ø10	ø12 ø16
	Inch size	ø1/8"	ø5/32"	ø1/4" ø5/16"	ø1/8"	ø5/32"	—	ø1/4" ø5/16" ø3/8"	ø1/4"	ø5/16"	ø3/8"	ø3/8"	ø1/2"
C values: Sonic conductance dm ³ /(s·bar)	Free flow	0.4	0.6	0.6	0.7	1.0	1.3	1.5	1.6	1.7	2.5	4.4	4.8
	Controlled flow	0.4	0.7	0.8	0.6	0.9	1.3	2.1	2.4	3.3	4.4	4.9	
b values: Critical pressure ratio	Free flow	0.2		0.3	0.3		0.4		0.4		0.3	0.3	
	Controlled flow	0.2		0.3	0.3			0.3			0.3		

Note) C and b values are for controlled flow with the needle fully open and free flow with the needle fully closed.

Speed Controller with Uni One-touch Fitting *Series AS*



How to Order

AS 2 2 0 1 F - U01 - 06 A

Body size

2	1/8, 1/4
3	3/8
4	1/2

Type

2	Elbow
3	Universal

Control type

0	Meter-out
1	Meter-in

* Meter-out and meter-in types can be visually identified by color of the knob.
Meter-out: Gray
Meter-in: Light blue

With One-touch fitting

Port size

U01	Uni 1/8
U02	Uni 1/4
U03	Uni 3/8
U04	Uni 1/2

Push-lock type

Applicable tubing O.D. Note 1)

Metric size

Tubing O.D.	Tubing O.D.
23	ø3.2 <small>Note 2)</small>
04	ø4
06	ø6
08	ø8
10	ø10
12	ø12
16	ø16

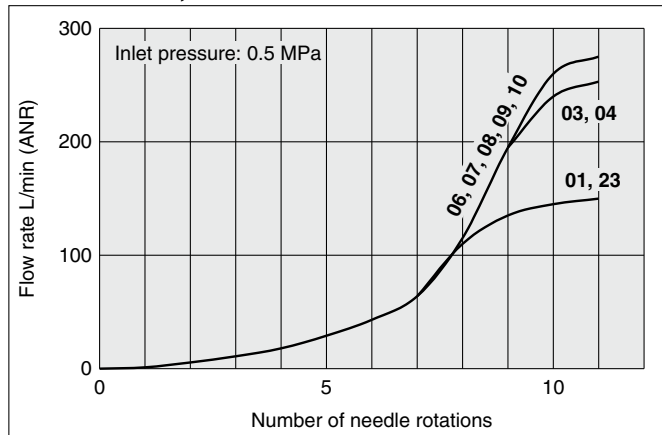
Inch size

Tubing O.D.	Tubing O.D.
01	ø1/8"
03	ø5/32"
07	ø1/4"
09	ø5/16"
11	ø3/8"
13	ø1/2"

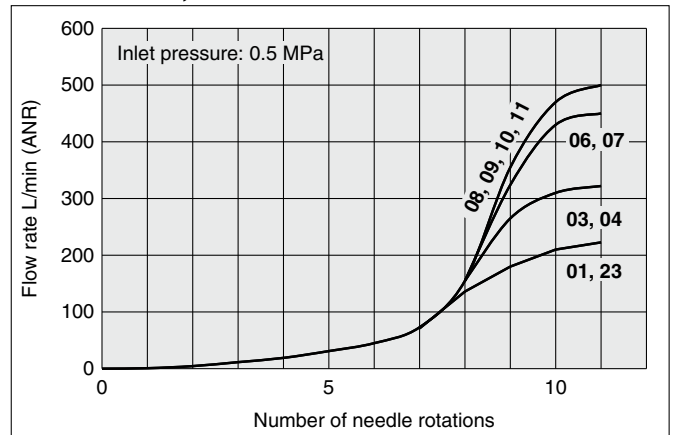
Note 1) For selecting applicable tubing O.D., refer to the "Model" on page 35. Metric size and inch size types can be visually identified by color of the release button.
Metric size: Light gray
Inch size: Orange
Note 2) Use ø1/8" tube.

Needle Valve/Flow-rate Characteristics

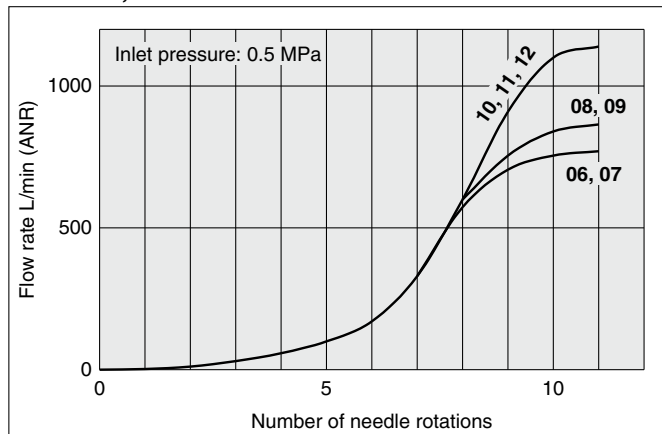
**AS2201F-U01, AS2211F-U01
AS2301F-U01, AS2311F-U01**



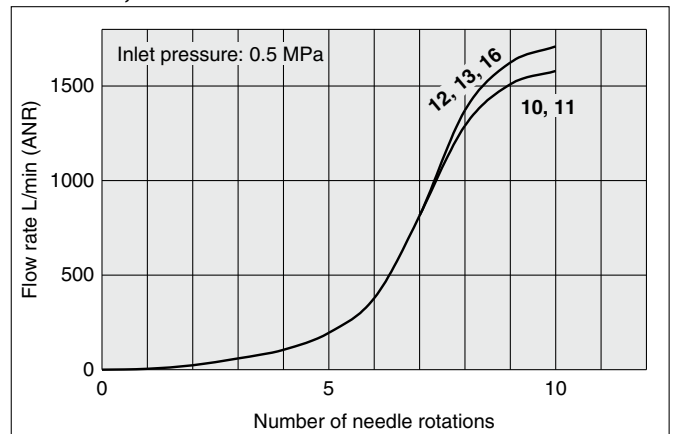
**AS2201F-U02, AS2211F-U02
AS2301F-U02, AS2311F-U02**



**AS3201F, AS3211F
AS3301F, AS3311F**



**AS4201F, AS4211F
AS4301F, AS4311F**



Note) The numbers above the flow-rate characteristic curves in the charts show the applicable tubing outside diameter as defined by the product number.

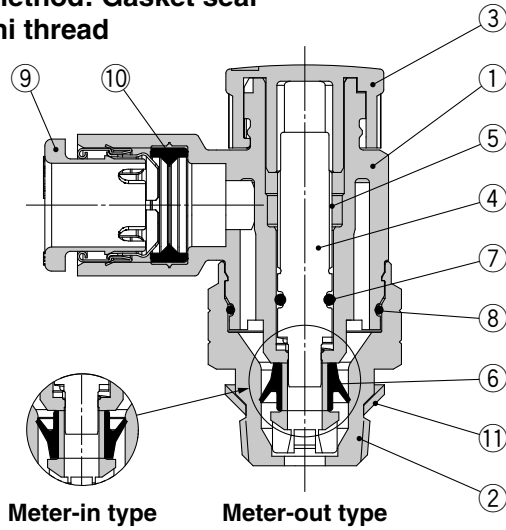
Sealant/Gasket seal AS-FG AS
Face seal
Gasket seal Uni-AS

Series AS

Construction

Elbow type

Seal method: Gasket seal
For Uni thread

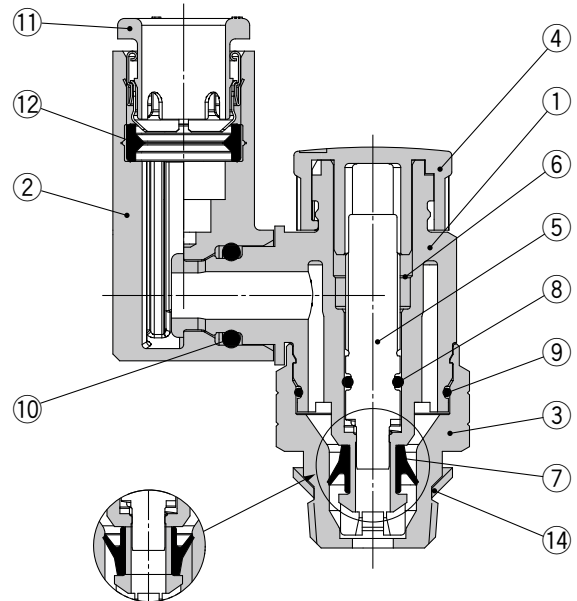
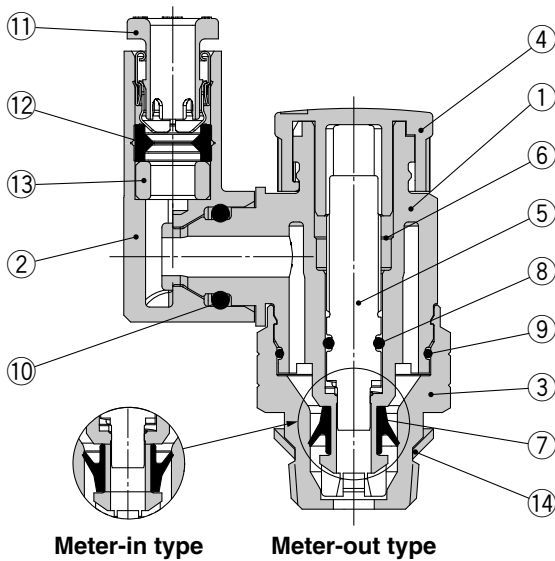


Component Parts

No.	Description	Material	Note
1	Body A	PBT	
2	Body B	Brass	Electroless nickel plating
3	Knob	POM	
4	Needle	PBT	
5	Needle guide	Brass	Electroless nickel plating
6	U-seal	HNBR	
7	O-ring	NBR	
8	O-ring	NBR	
9	Cassette	—	
10	Seal	NBR	
11	Gasket	NBR/Stainless steel	

Universal type

Seal method: Gasket seal
For Uni thread

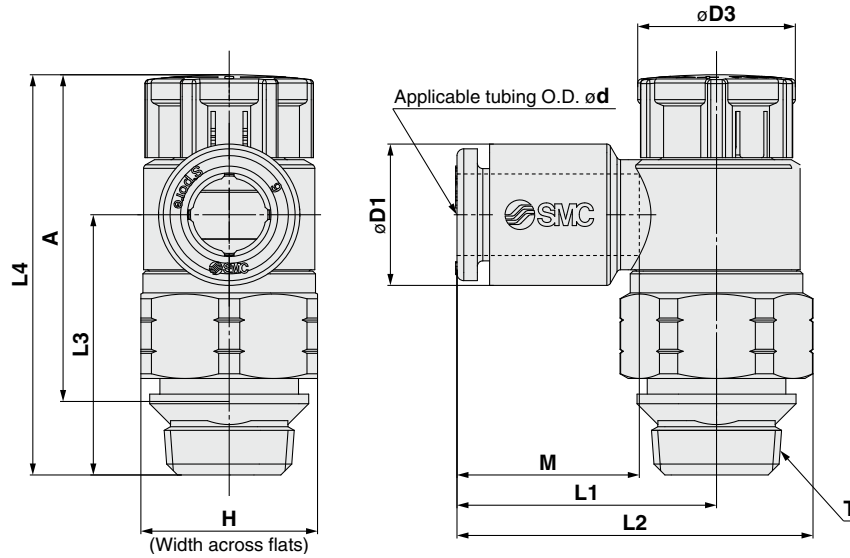


Component Parts

No.	Description	Material	Note
1	Body A	PBT	
2	Elbow body	PBT	
3	Body B	Brass	Electroless nickel plating
4	Knob	POM	
5	Needle	PBT	
6	Needle guide	Brass	Electroless nickel plating
7	U-seal	HNBR	
8	O-ring	NBR	
9	O-ring	NBR	
10	O-ring	NBR	
11	Cassette	—	
12	Seal	NBR	
13	Spacer ^{Note)}	—	
14	Gasket	NBR/Stainless steel	

Note) Used only for the AS22□1F-U01-23A.

Dimensions/ Elbow type



Sealant/Gasket seal
AS-FG
AS

Face seal

Gasket seal
Uni-AS

Metric Size

Model	d	T Uni thread	H	D1	D3	L1	L2	L3	L4 Note 1)		A Note 2)		M	Weight [g]
									Unlocked	Locked	Unlocked	Locked		
AS22□1F-U01-23A	3.2	1/8	13	7.2	12	19.1	26.2	19.1	30.6	29.2	25.8	24.4	13.3	9
AS22□1F-U01-04A	4			8.2										
AS22□1F-U01-06A	6			10.4										
AS22□1F-U01-08A	8			13.2										
AS22□1F-U01-10A	10			15.9										
AS22□1F-U02-23A	3.2	1/4	17	7.2	13	20.9	30.2	22.6	36.6	35	30.2	28.6	13.3	17
AS22□1F-U02-04A	4			8.2										
AS22□1F-U02-06A	6			10.4										
AS22□1F-U02-08A	8			13.2										
AS22□1F-U02-10A	10			15.9										
AS32□1F-U02-06A	6	1/4	19	10.4	16.6	21.8	32.1	36.4	50	48.4	43.6	42	13.3	39
AS32□1F-U02-08A	8			13.2										
AS32□1F-U02-10A	10			15.9										
AS32□1F-U02-12A	12			18.5										
AS32□1F-U03-06A	6			10.4										
AS32□1F-U03-08A	8	13.2												
AS32□1F-U03-10A	10	15.9												
AS32□1F-U03-12A	12	18.5												
AS42□1F-U04-10A	10	1/2	24	15.9	18.8	27.4	40.3	36.2	50.8	49.2	42.2	40.6	15.6	52
AS42□1F-U04-12A	12			18.5										
AS42□1F-U04-16A	16			23.8										

Note 1) Reference dimensions Note 2) Reference dimensions of threads after installation

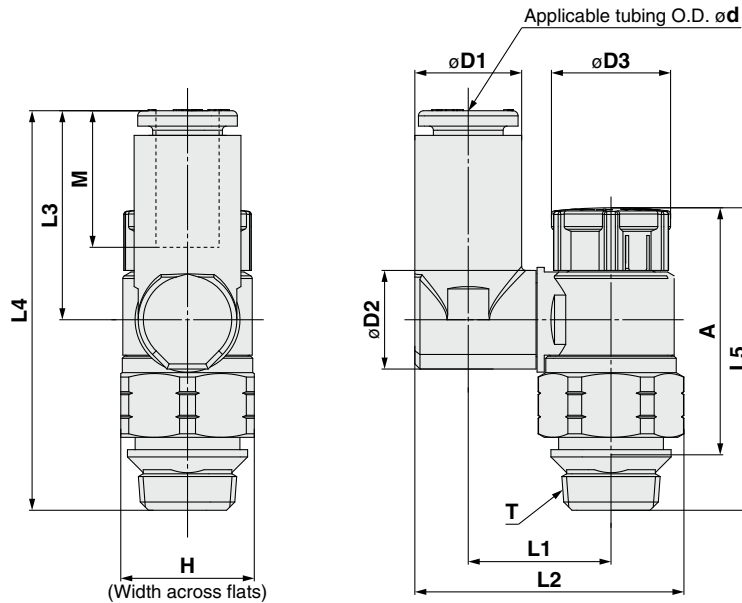
Inch Size

Model	d	T Uni thread	H	D1	D3	L1	L2	L3	L4 Note 1)		A Note 2)		M	Weight [g]
									Unlocked	Locked	Unlocked	Locked		
AS22□1F-U01-01A	1/8"	1/8	13	7.2	12	19.1	26.2	19.1	30.6	29.2	25.8	24.4	13.3	9
AS22□1F-U01-03A	5/32"			8.2										
AS22□1F-U01-07A	1/4"			11.2										
AS22□1F-U01-09A	5/16"			13.2										
AS22□1F-U02-01A	1/8"	1/4	17	7.2	13	20.9	30.2	22.6	36.6	35	30.2	28.6	13.3	17
AS22□1F-U02-03A	5/32"			8.2										
AS22□1F-U02-07A	1/4"			11.2										
AS22□1F-U02-09A	5/16"			13.2										
AS22□1F-U02-11A	3/8"			15.5										
AS32□1F-U02-07A	1/4"	1/4	19	11.2	16.6	21.8	32.1	36.4	50	48.4	43.6	42	13.3	39
AS32□1F-U02-09A	5/16"			13.2										
AS32□1F-U02-11A	3/8"			15.5										
AS32□1F-U03-07A	1/4"			11.2										
AS32□1F-U03-09A	5/16"			13.2										
AS32□1F-U03-11A	3/8"	15.5												
AS42□1F-U04-11A	3/8"	1/2	24	15.5	18.8	27.4	40.3	36.2	50.8	49.2	42.2	40.6	15.6	52
AS42□1F-U04-13A	1/2"			19.3										

Note 1) Reference dimensions Note 2) Reference dimensions of threads after installation

Series AS

Dimensions/ Universal type



Metric Size

Model	d	T Uni thread	H	D1	D2	D3	L1	L2	L3	L4	L5 ^{Note 1)}		A ^{Note 2)}		M	Weight [g]	
											Unlocked	Locked	Unlocked	Locked			
AS23□1F-U01-23A	3.2	1/8	13	7.2	9.6	12	13.3	24	17.5	36	30.6	29.2	25.8	24.4	13.3	9	
AS23□1F-U01-04A	4			8.2			13.9	25.1		10							
AS23□1F-U01-06A	6			10.4			26.2	20.4		38.8						11	
AS23□1F-U01-08A	8			13.2			30.1	21.5		40						14.2	
AS23□1F-U02-04A	4	1/4	17	8.2	12.9	13	16.5	29.9	17.5	40.1	36.6	35	30.2	28.6	13.3	18	
AS23□1F-U02-06A	6			11.2			19	33.8		21.4						43.9	19
AS23□1F-U02-08A	8			13.2			34.9	23.5		46						14.2	
AS23□1F-U02-10A	10			15.9			38.1	24.7		47.3						15.6	
AS33□1F-U02-06A	6	1/4	19	11.2	12.9	16.6	20.2	36	21.4	57.8	50	48.4	43.6	42	13.3	31	
AS33□1F-U02-08A	8			13.2			37.1	23.5		59.9						14.2	
AS33□1F-U02-10A	10			15.9			41.2	26.1		62.5						15.6	
AS33□1F-U02-12A	12			18.5			42.5	28.3		64.7						17	
AS33□1F-U03-06A	6	3/8	19	11.2	12.9	16.6	20.2	36	21.4	50.1	42.3	40.7	35.9	34.3	13.3	31	
AS33□1F-U03-08A	8			13.2			37.1	23.5		52.2						14.2	
AS33□1F-U03-10A	10			15.9			41.2	26.1		54.8						15.6	
AS33□1F-U03-12A	12			18.5			42.5	28.3		57						17	
AS43□1F-U04-10A	10	1/2	24	15.9	17.4	18.8	25.6	46.4	26.1	61.2	50.8	49.2	42.2	40.6	15.6	54	
AS43□1F-U04-12A	12			18.5	21		26.2	48.3	28.3	63.4						17	56

Note 1) Reference dimensions Note 2) Reference dimensions of threads after installation

Inch Size

Model	d	T Uni thread	H	D1	D2	D3	L1	L2	L3	L4	L5 ^{Note 1)}		A ^{Note 2)}		M	Weight [g]	
											Unlocked	Locked	Unlocked	Locked			
AS23□1F-U01-01A	1/8"	1/8	13	7.2	9.6	12	13.3	24	17.5	36	30.6	29.2	25.8	24.4	13.3	9	
AS23□1F-U01-03A	5/32"			8.2			13.9	25.1		10							
AS23□1F-U01-07A	1/4"			11.2			16.4	29.1		20.2						38.7	11
AS23□1F-U01-09A	5/16"			13.2			30.1	21.5		40						14.2	
AS23□1F-U02-03A	5/32"	1/4	17	8.2	12.9	13	16.5	29.9	17.5	40.1	36.6	35	30.2	28.6	13.3	17	
AS23□1F-U02-07A	1/4"			11.2			19	33.8		21.4						43.9	13.3
AS23□1F-U02-09A	5/16"			13.2			34.9	23.5		46						14.2	
AS23□1F-U02-11A	3/8"			15.9			38.1	24.7		47.3						15.6	
AS33□1F-U02-07A	1/4"	3/8	19	11.2	12.9	16.6	20.2	36	21.4	57.8	50	48.4	43.6	42	13.3	31	
AS33□1F-U02-09A	5/16"			13.2			37.1	23.5		59.9						14.2	
AS33□1F-U02-11A	3/8"			15.9			41.2	26.1		62.5						15.6	
AS33□1F-U02-13A	7/16"			18.5			42.5	28.3		64.7						17	
AS33□1F-U03-07A	1/4"	3/8	19	11.2	12.9	16.6	20.2	36	21.4	50.1	42.3	40.7	35.9	34.3	13.3	31	
AS33□1F-U03-09A	5/16"			13.2			37.1	23.5		52.2						14.2	
AS33□1F-U03-11A	3/8"			15.9			41.2	26.1		54.8						15.6	
AS33□1F-U03-13A	7/16"			18.5			42.5	28.3		57						17	
AS43□1F-U04-11A	3/8"	1/2	24	15.9	17.4	18.8	25.6	46.4	26.1	61.2	50.8	49.2	42.2	40.6	15.6	54	
AS43□1F-U04-13A	1/2"			18.5	21		26.2	48.3	28.3	63.4						17	56

Note 1) Reference dimensions Note 2) Reference dimensions of threads after installation

Prior to Use

Female Thread Conditions Applicable to Face Seal

1. Surface roughness of bearing surface: Rz 25 or less
2. Chamfer dimension: $\phi D1$, Seal bearing surface diameter: $\phi D2$ (Refer to the table below.)
3. Female thread inclination angle: 1° or less
4. Counterbore diameter when the female thread is counterbored.: $\phi D3$
 - Models with width across flats: Body width across flats x 1.1 or more
 - Models other than hexagon (Hexagon socket head male connector etc.): Body dimensions + 0.2 mm or more
 - * The width across flats and the body dimensions differ depending on the model even when the same thread size is used. Refer to the dimensions in the catalog.
5. If oil content or sealant is sticking to the female thread, this may cause damage of the product. Remove it before piping.

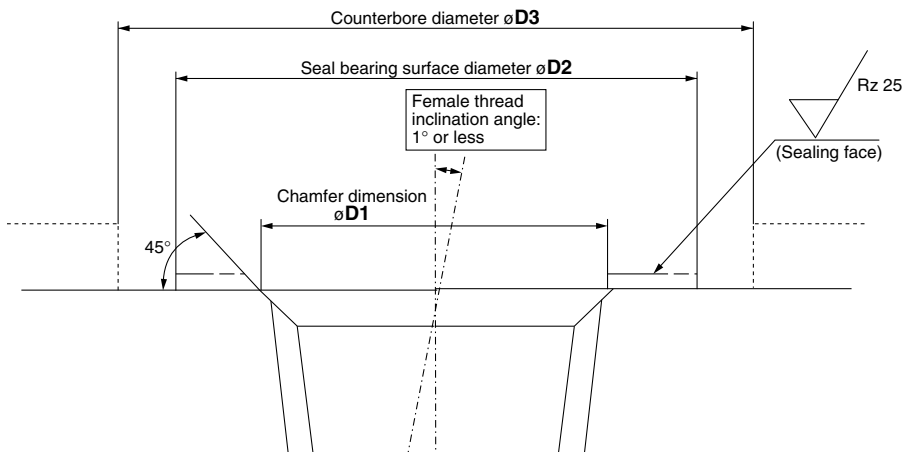


Table 1

Connection thread size	Chamfer dimension $\phi D1$ mm	Seal bearing surface diameter $\phi D2$ mm
R1/8	10.2 to 10.4	12 or more
R1/4	13.6 to 13.8	17 or more
R3/8	17.1 to 17.3	21 or more
R1/2	21.4 to 21.6	27 or more
NPT1/16	8.2 to 8.4	11.11 or more
NPT1/8	10.5 to 10.7	12.7 or more
NPT1/4	14.1 to 14.3	17.46 or more
NPT3/8	17.4 to 17.6	22 or more
NPT1/2	21.7 to 21.9	28.7 or more
G1/8	10.2 to 10.6	12 or more
G1/4	13.6 to 14.0	17 or more
G3/8	17.1 to 17.5	21 or more
G1/2	21.4 to 21.8	27 or more

⚠ Precautions

For products that do not satisfy the female thread conditions shown above and the piping with a piping pitch narrower than the product dimension, use the conventional sealant type.

- * The rubber parts of the face seal cannot be replaced.
- * The rubber parts of the face seal may fall off by the air blow and they cannot be mounted again. Be careful not to perform the air blow.



Series AS Specific Product Precautions 1

Be sure to read this before handling. Refer to the back cover for Safety Instructions. For Flow Control Equipment Precautions, refer to “Handling Precautions for SMC Products” and the Operation Manual on SMC website, <http://www.smcworld.com>

Design and Selection

⚠ Warning

1. Check the specifications.

The products in this catalog are designed to be used in compressed air systems (including vacuum) only.

If the products are used in an environment where pressure or temperature is out of the specified range, damage and/or malfunction may result. Do not use under such conditions. (Refer to the specifications.)

Please contact SMC when using a fluid other than compressed air (including vacuum).

We do not guarantee against any damage if the product is used outside of the specification range.

2. The products in this catalog are not designed for the use as stop valve with zero air leakage.

A certain amount of leakage is allowed in the product's specifications.

Tightening the needle to reduce leakage to zero may result in equipment damage.

3. Do not disassemble the product or make any modifications, including additional machining.

It may cause human injury and/or an accident.

4. The flow-rate characteristics for each product are representative values.

The flow-rate characteristics are characteristics of each individual product. Actual values may differ depending on the piping, circuitry, pressure conditions, etc.

5. Sonic conductance (C) and critical pressure ratio (b) values for products are representative values.

The speed controller's controlled flow values are with the needle fully open and free flow with the needle fully closed.

6. Check if PTFE can be used in application.

PTFE powder (Polytetrafluoroethylene resin) is included in the seal material for piping taper thread of male thread type. Confirm that the use of it will not cause any adverse effect on the system.

Please contact SMC if the Material Safety Data Sheet (MSDS) is required.

Mounting

⚠ Warning

1. Operation Manual

Install the products and operate them only after reading the Operation Manual carefully and understanding its contents. Also, keep the manual where it can be referred to as necessary.

2. Ensure sufficient space for maintenance activities.

When installing the products, allow access for maintenance.

3. Tighten threads with the proper tightening torque.

When installing the products, follow the listed proper torque.

Mounting

⚠ Warning

4. After pushing the knob down to lock, confirm that it is locked.

It should not be possible to rotate the knob to the right or to the left. If the knob is pulled with force, it may break. Do not pull the knob with excessive force.



Locked

Unlocked

5. Check the degree of rotation of the needle valve.

The products in this catalog are retainer type so that the needle is not removed completely. Over rotation will cause damage.

6. Do not use tools such as pliers to rotate the knob.

It can cause idle rotation of the knob or damage.

7. Verify the air flow direction.

Mounting backward is dangerous, because the speed adjustment needle will not work and the actuator may lurch suddenly.

8. Adjust the speed by opening the needle slowly from the fully closed state.

Loose needle valves may cause unexpected sudden actuator lurching.

When a needle valve is turned clockwise, it is closed and actuator speed decreases. When a needle valve is turned counter-clockwise, it is open and actuator speed increases.

9. Do not apply excessive force or shock to the body or fittings with an impact tool.

It can cause damage or air leakage.

10. Refer to the Fittings & Tubing Precautions in the Best Pneumatics No. 6 catalog for handling One-touch fittings.

11. Tubing O.D. $\varnothing 2$

Tubing other than that from SMC cannot be used, because it may result in inability to connect the tube, air leakage after connecting the tube or disconnection of the tube.

12. To install/remove the product, use an appropriate wrench to tighten/loosen at the supplied nut on body B.

Do not apply torque at other points as the product may be damaged. Rotate body A manually for positioning after installation.



Series AS

Specific Product Precautions 2

Be sure to read this before handling. Refer to the back cover for Safety Instructions. For Flow Control Equipment Precautions, refer to "Handling Precautions for SMC Products" and the Operation Manual on SMC website, <http://www.smcworld.com>

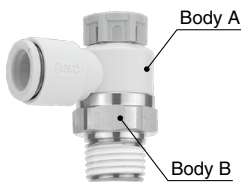
Mounting

Warning

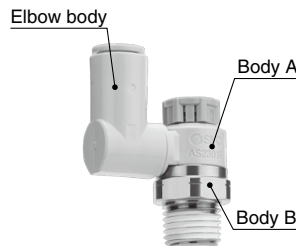
13. Do not use body A and/or elbow body for applications involving continuous rotation.

Body A and the fitting section may be damaged.

Elbow



Universal



Caution

For M5, 10-32UNF

Tightening method

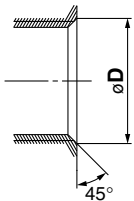
First, tighten it by hand, then give it an additional 1/6 turn to 1/4 turn with a wrench. A reference value for the tightening torque is 1 to 1.5 N·m.

Note) Excessive tightening may damage the thread portion or deform the gasket and cause air leakage.

If the screw is too shallowly screwed in, it may come loose or air may leak.

Chamfered area for female thread

1. Conforming to ISO 16030 (air pressure fluid dynamics – connection – ports and stud ends), the chamfered dimensions shown in the table below are recommended.

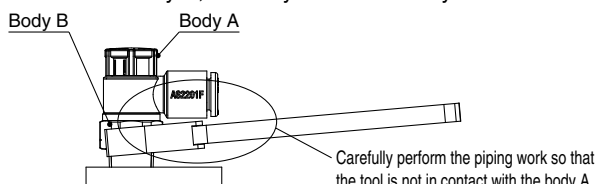


Female thread size	Chamfered dimension øD (Recommended value)
M5	5.1 to 5.4
10-32UNF	5.0 to 5.3

2. This product has a stopper for fully close in rotating direction. Excess torque may break the stopper. Table below shows the maximum allowable torque of the knob.

Body size	Maximum allowable torque [N·m]
M5	0.05
1/8	0.07
1/4	0.16
3/8	0.2
1/2	0.4

3. When performing the piping work, turn the tightening tool in the horizontal direction to the hexagon across flats of the body B so that any moment is not applied to the body A. If the tool is in contact with the body A, this may cause the body B to come off.



Caution

For R, NPT Thread (With sealant)

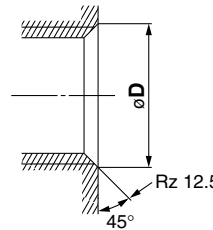
Tightening method

1. The proper tightening torques of the fittings are as shown in the table below. As a guide, tighten by hand, then turn it two or three turns with a wrench. Check the dimensions of each product for the hexagon width across flats.

Connection thread size	Proper tightening torque [N·m]
NPT, R1/8	3 to 5
NPT, R1/4	8 to 12
NPT, R3/8	15 to 20
NPT, R1/2	20 to 25

Chamfered area for female thread

By chamfering as shown in the table below, machining of threads is easier and effective for burr prevention.



Connection thread size	Chamfered dimension øD (Recommended value)	
	Rc	NPT, NPTF
1/8	10.2 to 10.4	10.5 to 10.7
1/4	13.6 to 13.8	14.1 to 14.3
3/8	17.1 to 17.3	17.4 to 17.6
1/2	21.4 to 21.6	21.7 to 21.9

* For Uni thread, Rz 12.5 is necessary for sealing at the chamfered part.

For R, NPT, G Thread (Face seal type)

Tightening method

First, tighten the threaded portion by hand, then use a proper wrench, which could be suitable for the width across flats of the hexagon body, to tighten it further at a wrench tightening angle shown in the table below. For a tightening torque guide, refer to the table below. Check the dimensions of each product for the hexagon width across flats.

1. Tighten fittings with face seal using the proper tightening torques in the table below.

Connection thread size (R, NPT, G)	Proper tightening torque [N·m]
1/16, 1/8	3 to 5
1/4	8 to 12
3/8	15 to 20
1/2	20 to 25

2. Insufficient tightening may cause seal failure, or loosen the threads.

3. Reuse

- 1) Normally, fittings with face seal can be reused 6 to 10 times.
- 2) The seal ring cannot be replaced.



Series AS

Specific Product Precautions 3

Be sure to read this before handling. Refer to the back cover for Safety Instructions. For Flow Control Equipment Precautions, refer to "Handling Precautions for SMC Products" and the Operation Manual on SMC website, <http://www.smcworld.com>

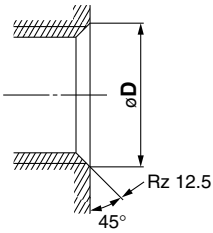
Mounting

⚠ Caution

For R, NPT, G Thread (Face seal type)

Chamfered area for female thread (Recommended value)

1. Conforming to ISO 16030-2001, the chamfered dimensions shown in the table below are recommended. By chamfering as shown in the table below, machining of threads is easier and effective for burr prevention.

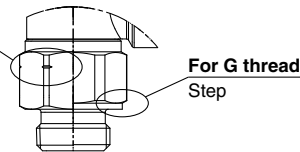


Nominal thread size	Chamfered dimension ϕD	
	Min.	Max.
1/8	9.8	10.2
1/4	13.3	13.7
3/8	16.8	17.2
1/2	21.0	21.4

2. Use G external threads with G internal threads.

How to distinguish between G, R and NPT threads

For R, NPT thread
R: Without slit
NPT: With slit



For Uni Thread

Tightening method

1. First, tighten the threaded portion by hand, then use a proper wrench, which could be suitable for the width across flats of the hexagon body, to tighten it further at a wrench tightening angle shown in the table below. For a tightening torque guide, refer to the table below.

Connection Female Thread: Rc, NPT, NPTF

Uni thread size	Wrench tightening angle after hand-tightening [deg]	Tightening torque [N·m]
1/8	30 to 60	3 to 5
1/4	30 to 60	8 to 12
3/8	15 to 45	14 to 16
1/2	15 to 30	20 to 22

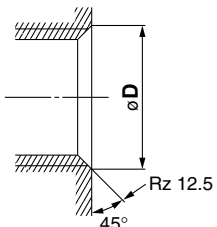
Connection Female Thread: G

Uni thread size	Wrench tightening angle after hand-tightening [deg]	Tightening torque [N·m]
1/8	30 to 45	3 to 4
1/4	15 to 30	4 to 5
3/8	15 to 30	8 to 9
1/2	15 to 30	14 to 15

2. The gasket can be reused up to 6 to 10 times.

Chamfered area for female thread

By chamfering as shown in the table below, machining of threads is easier and effective for burr prevention.



Connection thread size	Chamfered dimension ϕD (Recommended value)		
	G	Rc	NPT, NPTF
1/8	10.2 to 10.6	10.2 to 10.4	10.5 to 10.7
1/4	13.6 to 14.0	13.6 to 13.8	14.1 to 14.3
3/8	17.1 to 17.5	17.1 to 17.3	17.4 to 17.6
1/2	21.4 to 21.8	21.4 to 21.6	21.7 to 21.9

* For Uni thread, Rz 12.5 is necessary for sealing at the chamfered part.

Piping Threads with Sealant

⚠ Caution

1. If the fitting is tightened with excessive torque, a large amount of sealant will seep out. Remove the excess sealant.
2. Insufficient tightening may loosen the threads, or cause air leakage.
3. Reuse
 - 1) Normally, fittings with sealant can be reused 2 to 3 times.
 - 2) To prevent air leakage through the sealant, remove any loose sealant stuck to the fitting by blowing air over the threaded portion.
 - 3) If the sealant no longer provides effective sealing, wrap sealing tape over the sealant before reusing. Do not use the sealant in any form other than a tape type.
4. Once the fitting has been tightened, backing it out to its original position often causes the sealant to become defective. Air leakage will occur.
5. Use R external threads with Rc internal threads and NPT external threads with NPT internal threads.

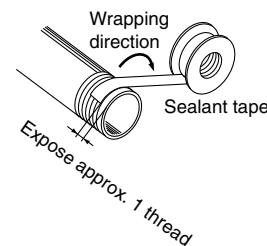
Piping

⚠ Caution

1. Refer to the Fittings & Tubing Precautions in the Best Pneumatics No. 6 catalog for handling One-touch fittings.
2. Preparation before piping


Before piping is connected, it should be thoroughly blown out with air (flushing) or washed to remove chips, cutting oil and other debris from inside the pipe.
3. Wrapping of sealant tape


When screwing together pipes and fittings, etc., be certain that chips from the pipe threads and sealing material do not get inside the pipe. Also, when the sealant tape is used, leave approx. 1 thread ridges exposed at the end of the threads.




Safety Instructions

These safety instructions are intended to prevent hazardous situations and/or equipment damage. These instructions indicate the level of potential hazard with the labels of “**Caution**,” “**Warning**” or “**Danger**.” They are all important notes for safety and must be followed in addition to International Standards (ISO/IEC)*1), and other safety regulations.

 **Caution:** **Caution** indicates a hazard with a low level of risk which, if not avoided, could result in minor or moderate injury.

 **Warning:** **Warning** indicates a hazard with a medium level of risk which, if not avoided, could result in death or serious injury.

 **Danger :** **Danger** indicates a hazard with a high level of risk which, if not avoided, will result in death or serious injury.

*1) ISO 4414: Pneumatic fluid power – General rules relating to systems.
ISO 4413: Hydraulic fluid power – General rules relating to systems.
IEC 60204-1: Safety of machinery – Electrical equipment of machines.
(Part 1: General requirements)
ISO 10218-1: Manipulating industrial robots – Safety.
etc.

Warning

1. The compatibility of the product is the responsibility of the person who designs the equipment or decides its specifications.

Since the product specified here is used under various operating conditions, its compatibility with specific equipment must be decided by the person who designs the equipment or decides its specifications based on necessary analysis and test results. The expected performance and safety assurance of the equipment will be the responsibility of the person who has determined its compatibility with the product. This person should also continuously review all specifications of the product referring to its latest catalog information, with a view to giving due consideration to any possibility of equipment failure when configuring the equipment.

2. Only personnel with appropriate training should operate machinery and equipment.

The product specified here may become unsafe if handled incorrectly. The assembly, operation and maintenance of machines or equipment including our products must be performed by an operator who is appropriately trained and experienced.

3. Do not service or attempt to remove product and machinery/equipment until safety is confirmed.

1. The inspection and maintenance of machinery/equipment should only be performed after measures to prevent falling or runaway of the driven objects have been confirmed.
2. When the product is to be removed, confirm that the safety measures as mentioned above are implemented and the power from any appropriate source is cut, and read and understand the specific product precautions of all relevant products carefully.
3. Before machinery/equipment is restarted, take measures to prevent unexpected operation and malfunction.

4. Contact SMC beforehand and take special consideration of safety measures if the product is to be used in any of the following conditions.

1. Conditions and environments outside of the given specifications, or use outdoors or in a place exposed to direct sunlight.
2. Installation on equipment in conjunction with atomic energy, railways, air navigation, space, shipping, vehicles, military, medical treatment, combustion and recreation, or equipment in contact with food and beverages, emergency stop circuits, clutch and brake circuits in press applications, safety equipment or other applications unsuitable for the standard specifications described in the product catalog.
3. An application which could have negative effects on people, property, or animals requiring special safety analysis.
4. Use in an interlock circuit, which requires the provision of double interlock for possible failure by using a mechanical protective function, and periodical checks to confirm proper operation.

Caution

1. The product is provided for use in manufacturing industries.

The product herein described is basically provided for peaceful use in manufacturing industries.
If considering using the product in other industries, consult SMC beforehand and exchange specifications or a contract if necessary.
If anything is unclear, contact your nearest sales branch.

Limited warranty and Disclaimer/ Compliance Requirements

The product used is subject to the following “Limited warranty and Disclaimer” and “Compliance Requirements”.

Read and accept them before using the product.

Limited warranty and Disclaimer

1. The warranty period of the product is 1 year in service or 1.5 years after the product is delivered, whichever is first.*2)
Also, the product may have specified durability, running distance or replacement parts. Please consult your nearest sales branch.
2. For any failure or damage reported within the warranty period which is clearly our responsibility, a replacement product or necessary parts will be provided.
This limited warranty applies only to our product independently, and not to any other damage incurred due to the failure of the product.
3. Prior to using SMC products, please read and understand the warranty terms and disclaimers noted in the specified catalog for the particular products.

*2) Vacuum pads are excluded from this 1 year warranty.

A vacuum pad is a consumable part, so it is warranted for a year after it is delivered.
Also, even within the warranty period, the wear of a product due to the use of the vacuum pad or failure due to the deterioration of rubber material are not covered by the limited warranty.

Compliance Requirements

1. The use of SMC products with production equipment for the manufacture of weapons of mass destruction (WMD) or any other weapon is strictly prohibited.
2. The exports of SMC products or technology from one country to another are governed by the relevant security laws and regulations of the countries involved in the transaction. Prior to the shipment of a SMC product to another country, assure that all local rules governing that export are known and followed.

Caution

SMC products are not intended for use as instruments for legal metrology.

Measurement instruments that SMC manufactures or sells have not been qualified by type approval tests relevant to the metrology (measurement) laws of each country. Therefore, SMC products cannot be used for business or certification ordained by the metrology (measurement) laws of each country.

Revision history

Edition B * Not available


Edition C * Universal type added.
* Needle guide material changed.
* Width across flats (8 mm) added to the AS12□1F-M5, U10/32.
* Knob size changed.
* Number of pages increased from 20 to 36

SU

Edition D * Face seal (R, NPT thread) added.

* Number of pages increased from 36 to 48

TS

 **Safety Instructions** Be sure to read “Handling Precautions for SMC Products” (M-E03-3) before using.