

Related Products

Pressure Relief 3-Port Valve with Locking Hole VHS 20/30/40/50

Manually operated valve can be used to prevent accidents caused by residual pressure in pneumatic lines.

Can prevent accidents due to inadvertent air supply.

When in the exhaust position, the valve may be padlock secured, preventing accidental start-ups while personnel are cleaning or servicing equipment.

The supply/exhaust status of the air flow can be verified at a glance in the indicating window.



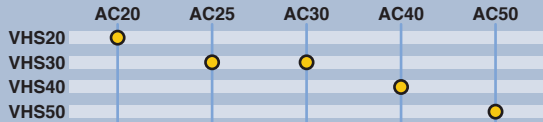
SUP : Supply
EXH : Exhaust



For energy isolation purposes, the compressed air supply is disconnected, residual pressure is relieved, and the handle can either be locked or labeled with a warning tag.



Combination with a modular style FRL is possible.



An interface part is required if a spacer or spacer with bracket shown in the table below is attached to a modular FRL.

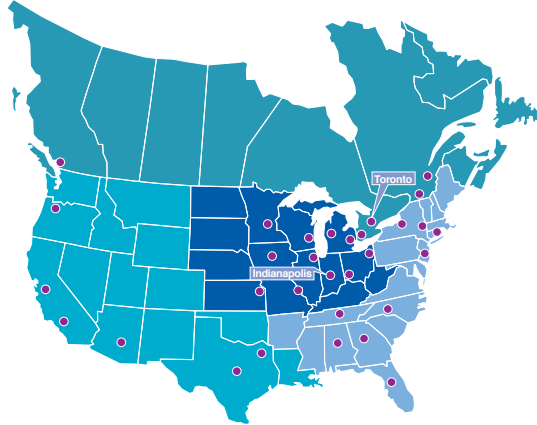
Pressure relief 3-port valve	Interface P/N	Spacer with bracket P/N	Applicable air preparation equipment
VHS20	Y200-A	Y200T-A	AC20
VHS30	Y300-A	Y300T-A	AC25, AC30
VHS40	Y400-A	Y400T-A	AC40
VHS40-06	Y500-A	Y500T-A	AC40-06
VHS50	Y600-A	Y600T-A	AC50, AC60 (Note)

Note) Although connection to AC60 is possible, the flow rate may decrease due to the mounting position.

Worldwide Subsidiaries

Europe	Asia / Oceania	Africa
Austria	Australia	South Africa
Belgium	China	North America
Bulgaria	Hong Kong	USA
Croatia	India	Canada
Czech Republic	Indonesia	South America
Denmark	Japan	Argentina
Estonia	Malaysia	Bolivia
Finland	New Zealand	Brazil
France	Philippines	Chile
Germany	Singapore	Colombia
Greece	South Korea	Mexico
Hungary	Taiwan	Peru
Ireland	Thailand	Venezuela
Italy	United Arab Emirates	
Kazakhstan	Vietnam	

U.S. & Canadian Sales Offices



WEST	EAST	CENTRAL	CANADA
Austin	Albany	Chicago	Montreal
Dallas	Atlanta	Cincinnati	Quebec City
Los Angeles	Birmingham	Cleveland	Toronto
Phoenix	Boston	Detroit	Vancouver
Portland	Charlotte	Des Moines	Windsor
San Jose	Knoxville	Grand Rapids	
	Nashville	Indianapolis	
	New Jersey	Kansas City	
	Rochester	Milwaukee	
	Tampa	Minneapolis	
		St. Louis	

SMC Corporation of America
10100 SMC Blvd., Noblesville, IN 46060
www.smccusa.com



SMC Automation Canada Ltd.
www.smcautomation.ca

(800) SMC.SMC1 (762-7621)
e-mail: sales@smccusa.com

For International inquiries: www.smcworld.com



Soft Start-Up Valve With Lock Out



Series AVL2000/3000/4000/5000

© 2020 SMC Corporation of America, All Rights Reserved.
All reasonable efforts to ensure the accuracy of the information detailed in this catalog were made at the time of publishing. However, SMC can in no way warrant the information herein contained as specifications are subject to change without notice.

Soft start up valve with lock out

- Large effective area
- Low power consumption
- Manual/Manual solenoid lock out
- Modular design

How to Order

AVL 20 00 - F 02 G - 5 DZM - R - X238-Q

Soft start valve with lock out

Body size • Port thread •

Body size	Port thread
20	1/4
30	3/8
40	1/2
50	3/4, 1

Port size •

Port size	Model
02	1/4 (AVL2000)
03	3/8 (AVL3000)
04	1/2 (AVL4000)
06	3/4 (AVL5000)
10	1 (AVL5000)

Option •

Option	Description
Nil	No gauge
G	Pressure gauge (Unit: MPa)
P	Pressure gauge (Unit: MPa, psi)

Air direction

Nil	Left to Right
R	Right to Left

Button Color

Nil	Red button, manual or electrical lockout
X238	Black button, manual lockout
X238-Q	Black button, electrical lockout, CE marked

Electric entry

Nil	Manual lockout
D	D type DIN connector
DZ	D type DIN connector with indicator light & suppressor
DZM	D type DIN connector with M12 connector, indicator light & surge voltage suppressor

Rated coil voltage

Nil	Manual lockout
1	100VAC (50/60Hz)
2	200VAC (50/60Hz)
3	110 to 120VAC (50/60Hz)
4	220VAC (50/60Hz)
5	24VDC
6	12VDC
9	Others

Note:

The AVL is not an emergency stop device. It is an energy isolation unit.

AVL2000/3000/4000/5000

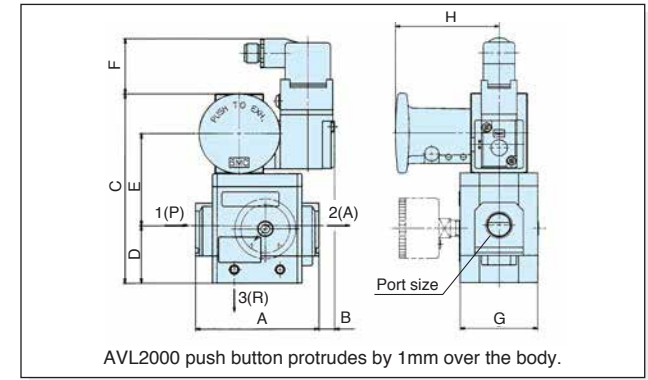
Lockable soft start valve.
Gradual increase of supply pressure and rapid exhaust of system air when the supply is shut off.



Dimension AVL2000 to AVL5000

(mm)

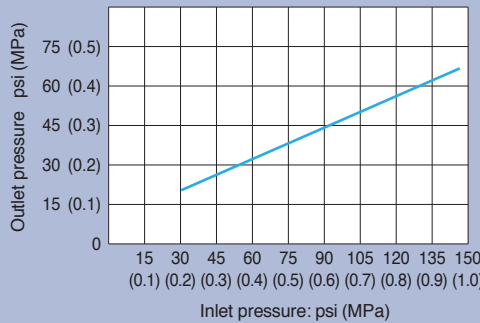
Model	Port size	A	B	C	D	E	F	G	H
AVL2000*02	1/4	67	-	111	31	55	-	40	64 (Max. 73)
AVL2000*02*DZM	1/4	67	20.5	111	31	55	34	40	64 (Max. 73)
AVL3000*03	3/8	76	-	118	36	57	-	48	64 (Max. 73)
AVL3000*03*DZM	3/8	76	12.5	118	36	57	34	48	64 (Max. 73)
AVL4000*04	1/2	98	-	133	47	61	-	52	64 (Max. 73)
AVL4000*04*DZM	1/2	98	-	133	47	61	34	52	64 (Max. 73)
AVL5000*06 to 10	3/4 & 1	128	-	161	59	77	-	74	64 (Max. 73)
AVL5000*06 to 10*DZM	3/4 & 1	128	-	161	59	77	34	74	64 (Max. 73)



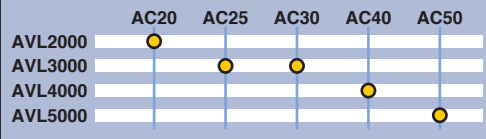
Specifications

Model	AV2000	AV3000	AV4000	AV5000			
Port size	1/4	3/8	1/2	3/4	1		
Proof pressure	225 psi (1.5 MPa)						
Operating pressure range	30 to 150 psi (0.2 to 1 MPa)						
Ambient and fluid temp.	32 to 140°F (0 to 60°C)						
Effective area (mm ²)	1(P) to 2(A)	20	37	61	113	122	
	2(A) to 3(R)	24	49	76	132	141	
Weight manual/solenoid lb (kg)	1.14 (0.64)	1.63 (0.74)	2.21 (1.00)	4.19 (1.90)	4.06 (1.84)		
Weight manual lb (kg)	1.15 (0.52)	1.37 (0.62)	1.94 (0.88)	3.93 (1.78)	3.79 (1.72)		
Electrical specification	Rated coil voltage	100, 200, 110 to 120, 220VAC (50/60 Hz), 12, 24VDC					
	Allowable voltage fluctuation	-15% to +10% of rated voltage					
	Coil insulation type	Equivalent to B type [266°F (130°C)]					
	Current consumption AC	Inrush	5.6V (50 Hz), 5.0VA (60 Hz)				
		Energized	3.4VA (2.1W) 50 Hz, 2.3VA (1.5W) 60 Hz				
Current consumption DC	1.8W						
Electric entry	Type D DIN Terminal, M12 connector						
Optional specification	Indicator light/Surge voltage suppressor						

Piston B Switching Pressure (Close to Open)



Combination with a modular style FRL is possible.



Dimension AC20* to AC60*

(mm)

Model	A1	A2	A3
AC20*	41.5	43	67.5
AC25*	55	57	78
AC30*	55	57	78
AC40*	72.5	75	100.5
AC50*	93	96	131
AC55*	98	96	131
AC60*	98	101	131

