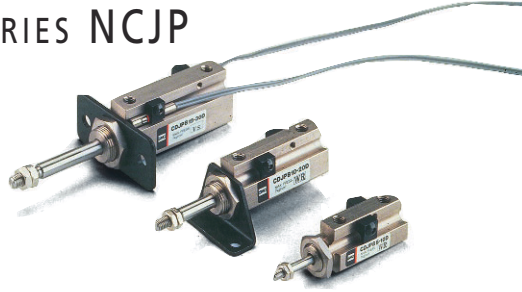


PIN CYLINDER SERIES NCJP DOUBLE ACTING

- ✓ Bore Sizes 6, 10, 15mm
- ✓ 5 Mounting Options
- ✓ Magnetic Piston Standard
- ✓ Compact Design

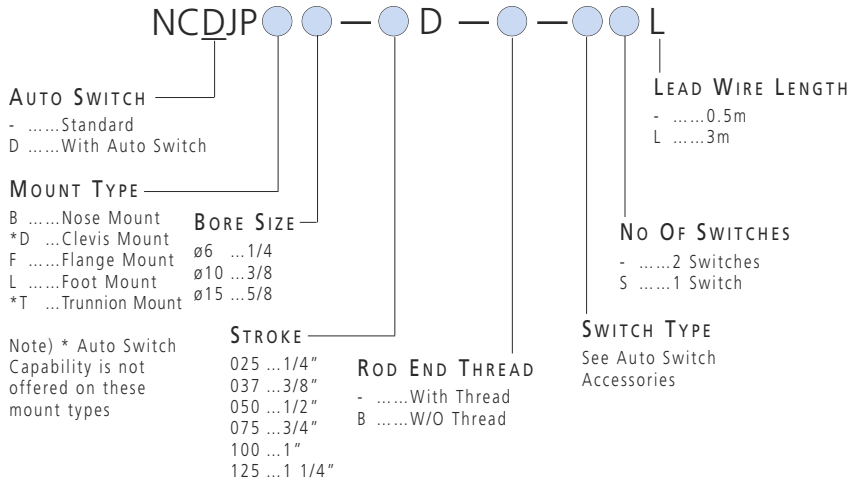


TECHNICAL SPECIFICATIONS

Action	Double Action
Max Operating Pressure	0.7MPa / 100PSI
Min Operating Pressure	6 (1/4") : 0.12MPa (20 PSI) 10 (3/8") : 0.06 MPa (8.8 PSI)
Proof Pressure	0.99 MPa / 150 PSI
Ambient & Fluid Temp	5 ~ 60°C / 40 ~ 140°F
Lubrication	Not Required (Pre-Lubricated at Factory)
Rod End Thread	Male Thread/Without Thread
Type Of Mounting	Nose, Flange, Foot, Clevis, Trunnion

HOW TO ORDER

NCJP PIN CYLINDER-DOUBLE ACTING



AUTO SWITCH SPECIFICATIONS

Note: Pre-wired Switches with 3/4 Pin Connectors available, please consult SMC Customer Service

Switch Model	D-90	D-97	D-90A	D-93A
Applications	Relay/PLC, Sequencer, IC Circuit			
Voltage Rating	≤24V	24VDC	≤24V 100VAC	24VDC 100VAC
Maximum Current	50MA	5-40MA	50MA 20MA	5-40/ 5-20MA
Internal Voltage Drop	0	2.4V	0	2.4V
Leakage Current	0			
Switching Time	1.2Ms			
Indicator Light	No	Yes	No	Yes
Electrical Entry	Grommet			
Lead Wire	2 Wire, 10 Inches Long			
Shock Rating	30G			
Insulation Resistance	50M or more @ 500VDC (between lead wire and case)			
Min Breakdown Voltage	1000VAC for 1 sec (between lead wire and case)			
Ambient Temperature	40-140°F (5-60°C)			
Housing	IEC Standard IP67, JIS0920 (Water Proof, Oil Proof)			

SYMBOLS

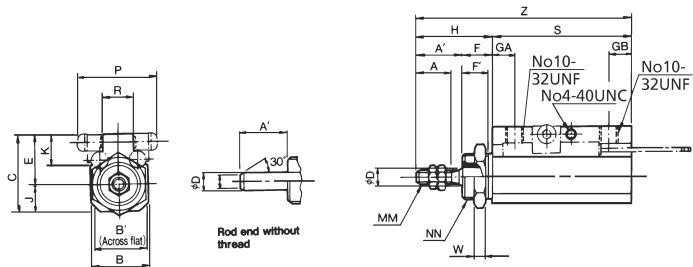


STROKE

Bore Size	Stroke
mm (inch)	inch
ø6 ... (1/4")	1/4, 3/8, 1/2, 3/4
ø10 ... (3/8")	1/4, 3/8, 1/2, 3/4, 1, 1-1/4
ø15 ... (5/8")	1/4, 3/8, 1/2, 3/4, 1, 1-1/4

DIMENSIONS

NOSE MOUNT: NC•JPB



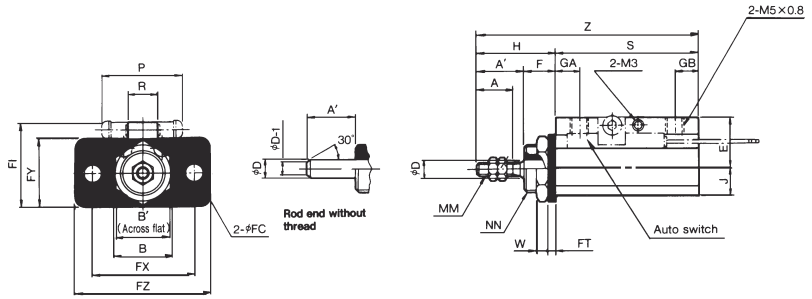
Bore Size	A	A'	B	B'	C	øD	F	GA	GB	H	J	L	S					W	Z					With Auto Switch		
													025	037	050	075	125		025	037	050	075	125			
ø6 (1/4")	0.38	0.50	0.55	0.56	0.65	0.125	0.31	0.24	0.24	0.81	0.24	0.43	No5-40UNC	3/8-24UNF	1.26	1.38	1.50	1.76	-	0.13	2.07	2.19	2.31	2.57	-	0.79
ø10 (3/8")	0.50	0.63	0.59	0.69	0.79	0.197	0.37	0.24	0.28	1	0.28	0.50	No10-32UNF	1/2-20UNF	1.26	1.38	1.50	1.76	2.26	0.16	2.26	2.38	2.50	2.76	3.26	0.83
ø15 (5/8")	0.50	0.63	0.79	0.75	0.97	0.236	0.44	0.24	0.28	1.06	0.36	0.56	No10-32UNF	9/16-UNF	1.26	1.38	1.50	1.76	2.26	0.19	2.32	2.44	2.56	2.82	3.32	0.91



FOR FURTHER TECHNICAL
 DETAILS ON THIS
 PRODUCT REQUEST
 CATALOG REFERENCE
 N300

DIMENSIONS FLANGE MOUNT: C•JPF

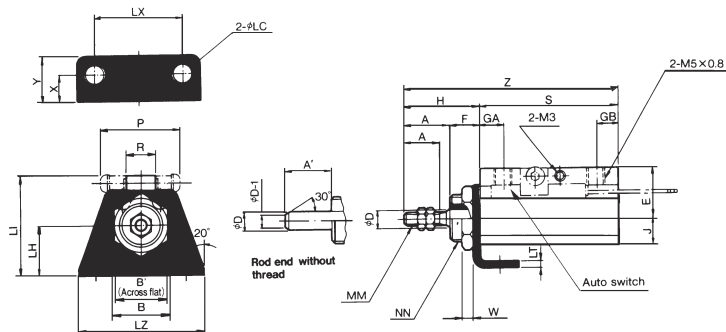
Bore Size	øFC	FI	FT	FX	FY	FZ
ø6 (1/4")	0.13	0.73	0.06	0.94	0.63	1.26
ø10 (3/8")	0.18	0.87	0.06	1.10	0.71	1.46
ø15 (5/8")	0.22	1.05	0.09	1.42	0.87	1.93



Bore Size	A	A'	B	B'	øD	E	F	GA	GB	H	J	L	MM	NN	S					W	Z					With Auto Switch P
															025	037	050	075	125		025	037	050	075	125	
ø6 (1/4")	0.38	0.50	0.55	0.56	0.125	0.41	0.31	0.24	0.24	0.81	0.24	0.43	No5-40UNC	3/8-24UNF	1.26	1.38	1.50	1.76	-	0.13	2.07	2.19	2.31	2.57	-	0.79
ø10 (3/8")	0.50	0.63	0.59	0.69	0.197	0.51	0.37	0.24	0.28	1	0.28	0.50	No10-32UNF	1/2-20UNF	1.26	1.38	1.50	1.76	2.26	0.16	2.26	2.38	2.50	2.76	3.26	0.83
ø15 (5/8")	0.50	0.63	0.79	0.75	0.236	0.61	0.44	0.24	0.28	1.06	0.36	0.56	No10-32UNF	9/16-UNF	1.26	1.38	1.50	1.76	2.26	0.19	2.32	2.44	2.56	2.82	3.32	0.91

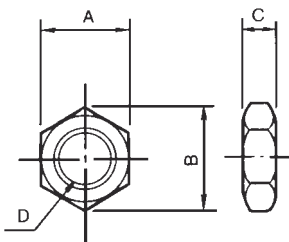
DIMENSIONS FOOT MOUNT

Bore Size	X	Y	øLC	LH	LT	LX	LZ
ø6 (1/4")	0.26	0.41	0.13	0.44	0.06	0.75	1.10
ø10 (3/8")	0.28	0.47	0.18	0.51	0.06	0.94	1.30
ø15 (5/8")	0.41	0.67	0.22	0.69	0.09	1.18	1.69



Bore Size	A	A'	B	B'	øD	F	GA	GB	H	J	L	MM	NN	S					W	Z					With Auto Switch P
														025	037	050	075	125		025	037	050	075	125	
ø6 (1/4")	0.38	0.50	0.55	0.56	0.125	0.31	0.24	0.24	0.81	0.24	0.43	No5-40UNC	3/8-24UNF	1.26	1.38	1.50	1.76	-	0.13	2.07	2.19	2.31	2.57	-	0.79
ø10 (3/8")	0.50	0.63	0.59	0.69	0.197	0.37	0.24	0.28	1	0.28	0.50	No10-32UNF	1/2-20UNF	1.26	1.38	1.50	1.76	2.26	0.16	2.26	2.38	2.50	2.76	3.26	0.83
ø15 (5/8")	0.50	0.63	0.79	0.75	0.236	0.44	0.24	0.28	1.06	0.36	0.56	No10-32UNF	9/16-UNF	1.26	1.38	1.50	1.76	2.26	0.19	2.32	2.44	2.56	2.82	3.32	0.91

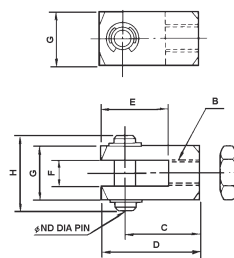
DIMENSIONS MOUNTING NUT



Bore Size	Part No	A	B	C	D
ø6 (1/4")	NSNP-P006	0.56	0.65	0.13	3/8-24UNF
ø10 (3/8")	NSNP-P010	0.69	0.79	0.16	1/2-20UNF
ø15 (5/8")	NSNP-P015	0.75	0.86	0.19	9/16-18UNF

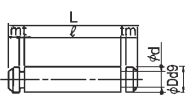
Bore Size	Part No	A	B	C	D
ø6 (1/4")	JM-005	0.31	0.11	0.36	5-40UNC
ø10 (3/8")	JM-02	0.38	0.43	0.13	10-32UNF
ø15 (5/8")	JM-02	0.38	0.43	0.13	10-32UNF

DIMENSIONS PISTON ROD CLEVIS



Bore Size	Part No	G	H	F	øND	E	B	D	C
ø6 (1/4")	NY-P006	0.32	0.44	.125	.125	0.38	No5-40UNC	0.56	0.44
ø10 (3/8")	NY-J015	0.39	0.54	.188	.188	0.56	No10-32UNF	0.94	0.75
ø15 (5/8")	NY-J015	0.39	0.54	.188	.188	0.56	No10-32UNF	0.94	0.75

DIMENSIONS CLEVIS AND TRUNNION PIN



Bore Size	Part No	øD	L	ød	ℓ	m	t
ø6 (1/4")	NCT-P006	.125	0.81	.095	0.70	0.03	0.018
ø10 (3/8")	NCT-P010	.188	0.94	.147	0.81	0.04	0.029
ø15 (5/8")	NCT-P015	.188	1.25	.147	1.11	0.04	0.029

SEE INSIDE FRONT COVER FOR
DETAILS OF YOUR LOCAL SALES OFFICE



FOR FURTHER TECHNICAL
DETAILS ON THIS
PRODUCT REQUEST
CATALOG REFERENCE
N300