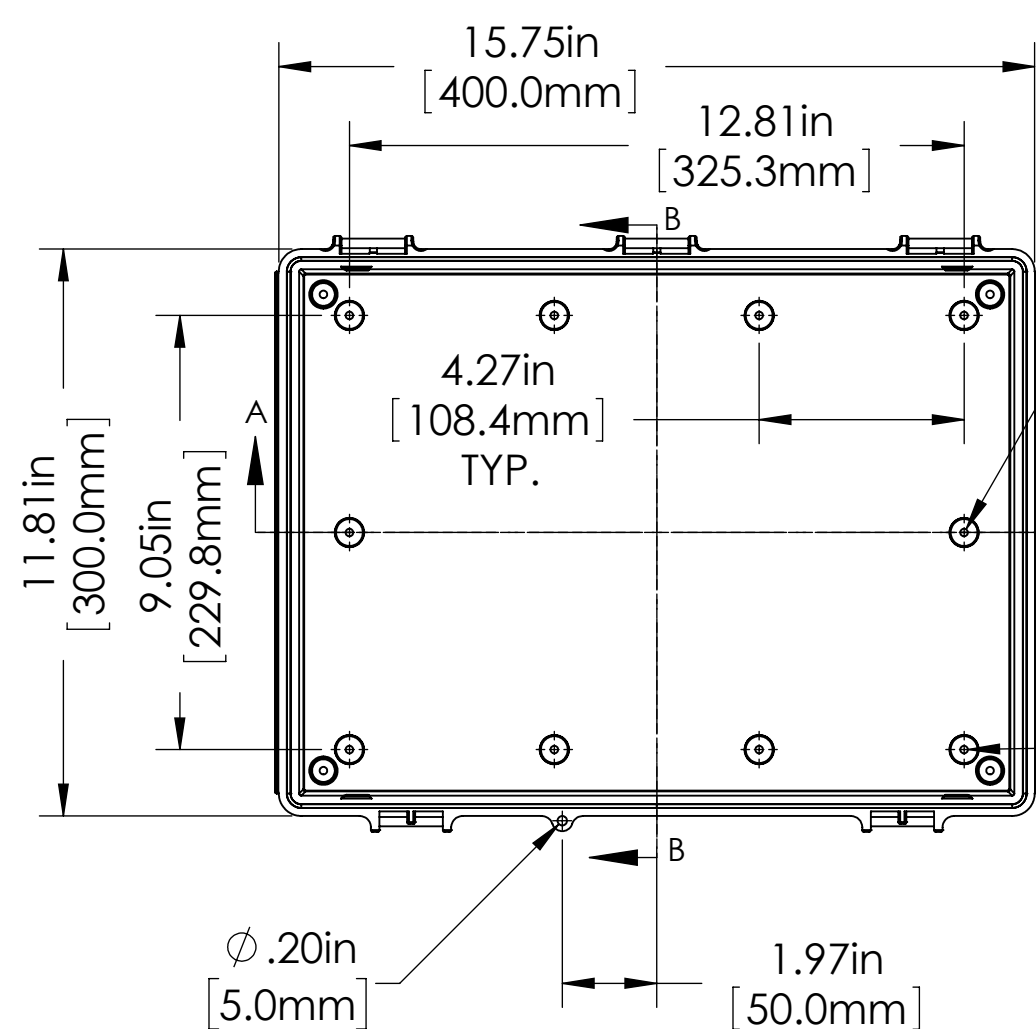
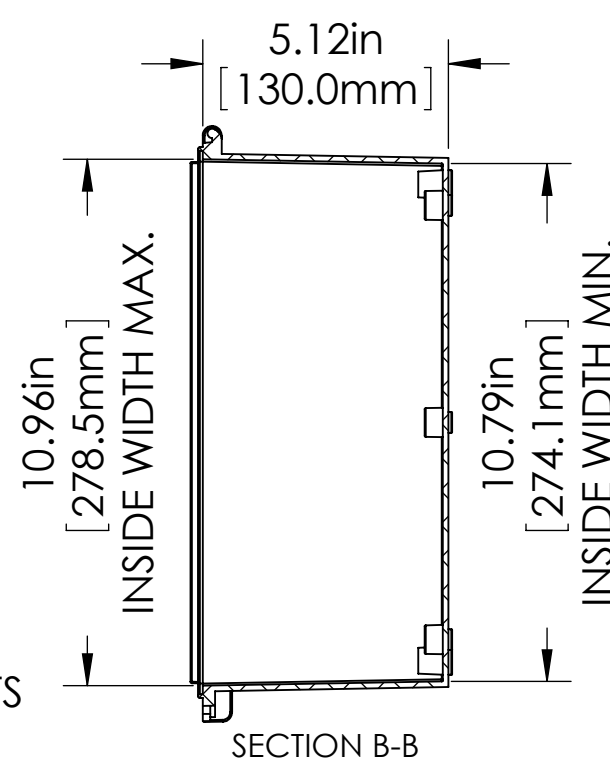


**BODY**

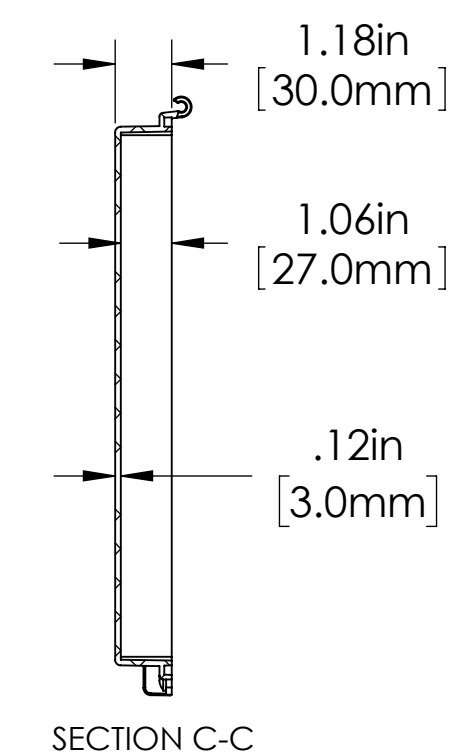
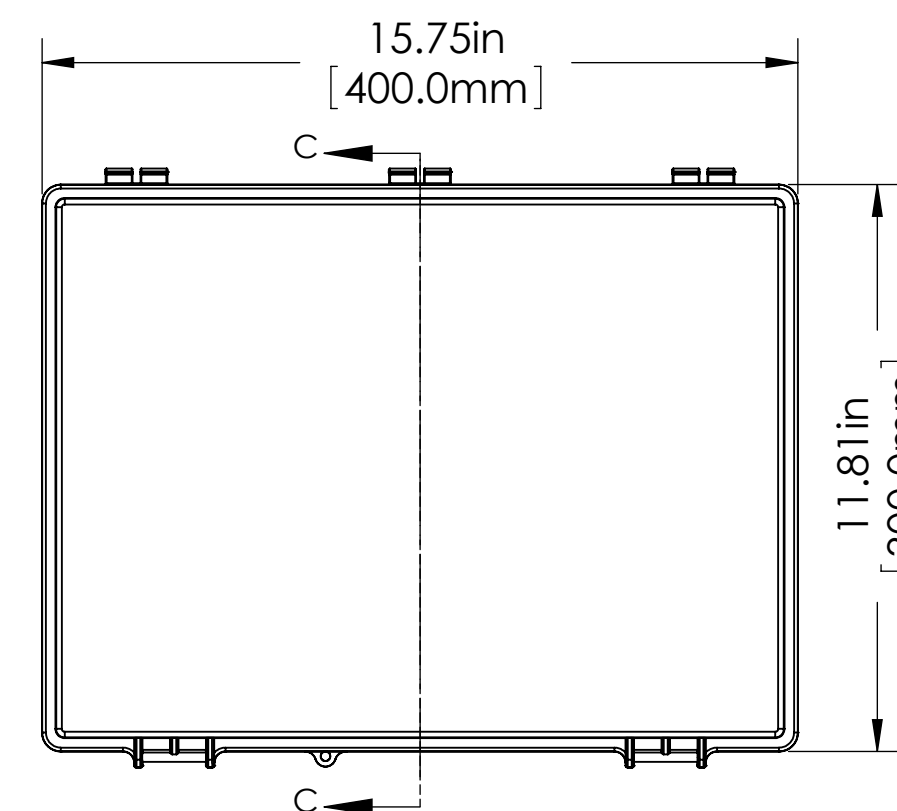
$\phi .16$ [4.0] x  $.35$ [9.0] DEEP  
6 PLCS.

(FOR M5 x 10mm LG.  
SELF-TAPPING SCREWS -  
NOT SUPPLIED)

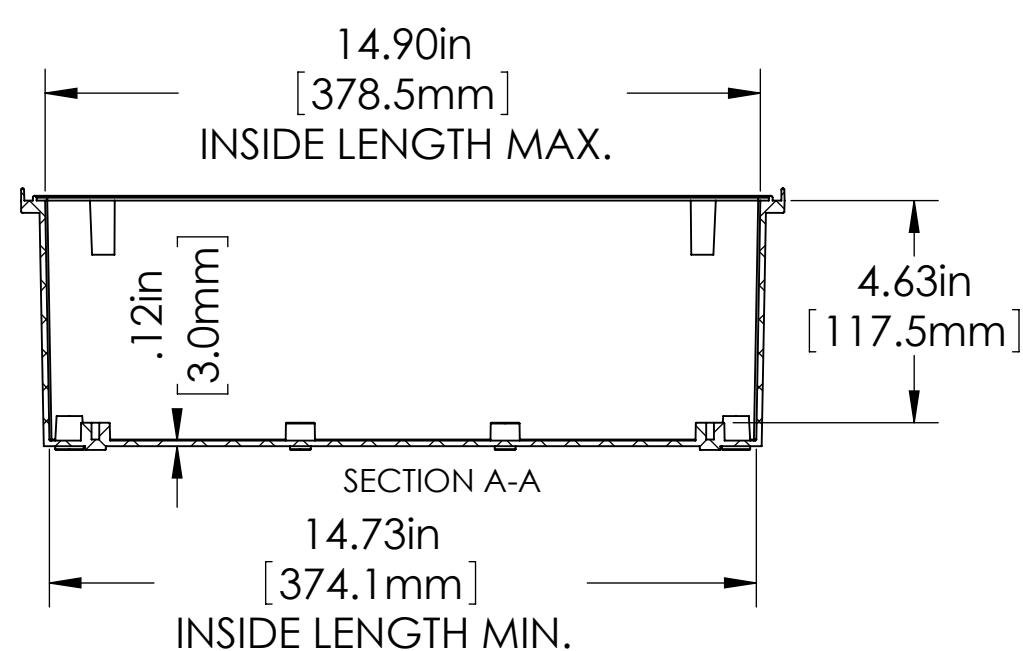
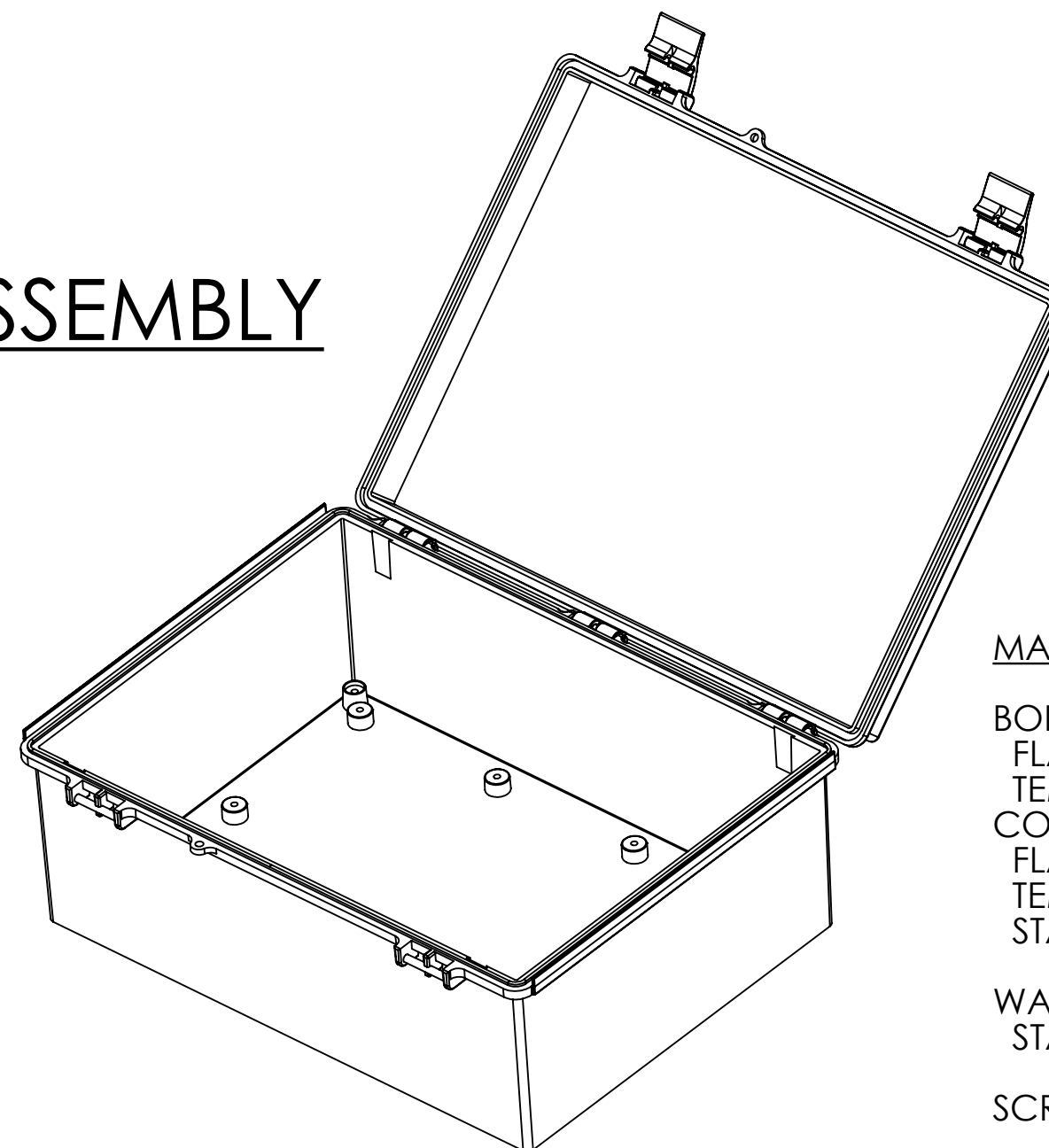
M5x.8 THREADED INSERTS  
4 PLCS. (CORNERS)  
(FOR M5x.8 x 10mm LG.  
MACHINE SCREWS -  
NOT SUPPLIED)



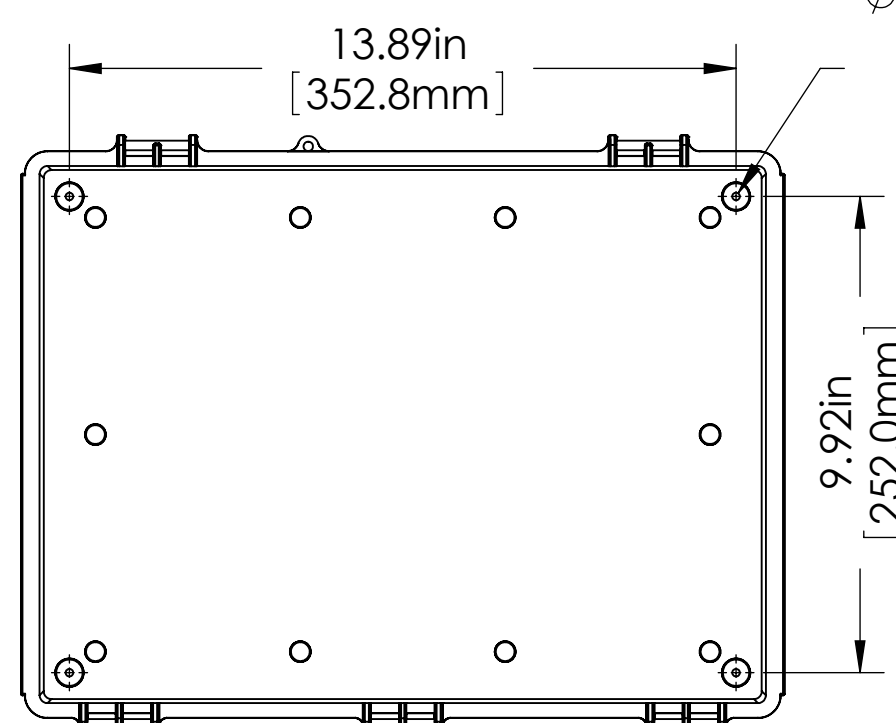
SECTION B-B

**COVER**

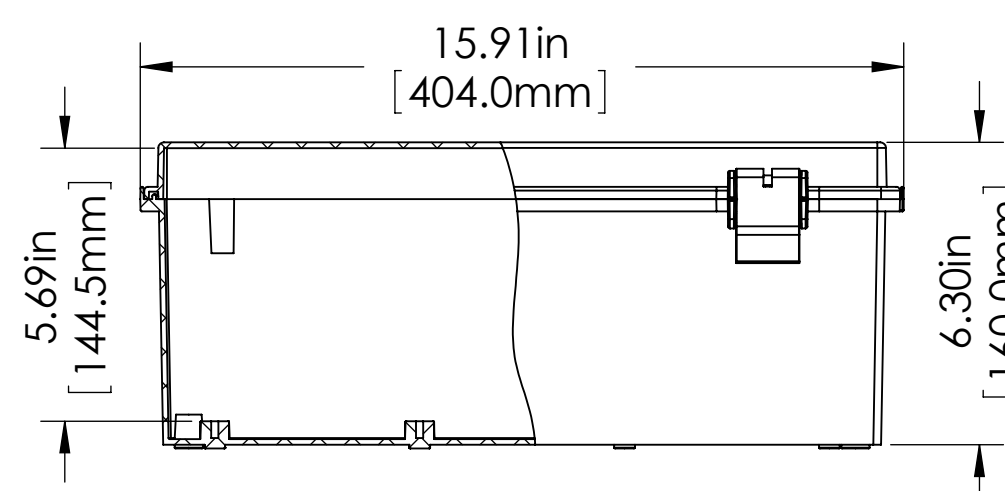
SECTION C-C

**ASSEMBLY**

SECTION A-A



$\phi .16$ [4.0] x  $.35$ [9.0] DEEP  
4 PLCS.  
(FOR ATTACHING  
WALL MOUNT BRKTS.)

**MATERIAL**

BODY & LATCHES\_\_ LIGHT GRAY-ABS/PC BLEND, UL94-5VA  
FLAMMABILITY RATING AT CONTINUOUS OPERATING  
TEMPERATURE OF -40°C~ +85°C / -40°F~ 185°F  
COVER\_\_ CLEAR POLYCARBONATE, UL94-V0  
FLAMMABILITY RATING AT CONTINUOUS OPERATING  
TEMPERATURE OF -40°C~ +130°C / -40°F~ 266°F & UV  
STABILIZED

WALL MOUNTING BRACKETS\_\_\_\_ 18 GA.[1.2mm]  
STAINLESS STEEL

SCREWS(FOR WALL MTG. BRKTS.)\_\_STAINLESS STEEL

THREADED BRASS INSERTS MAY HAVE SHINY APPEARANCE  
DUE TO CORROSION PROTECTIVE TREATMENT

**NOTES:**

- 1) UNIT COMES COMPLETE WITH (4) MEDIUM WALL MOUNTING BRACKETS & (4) M5 x 10mm LG. SELF-TAPPING SCREWS. (NOT SHOWN)
- 2) BOXES DESIGNED TO MEET FOLLOWING STANDARDS:  
NEMA 1,2,4,4X, AND IEC529-IP66 REQUIREMENTS.

**TOLERANCE:**

ALL DIMENSIONS HAVE  $\pm .039$ in [ $\pm 1$ mm]  
TOLERANCE UNLESS OTHERWISE SPECIFIED.