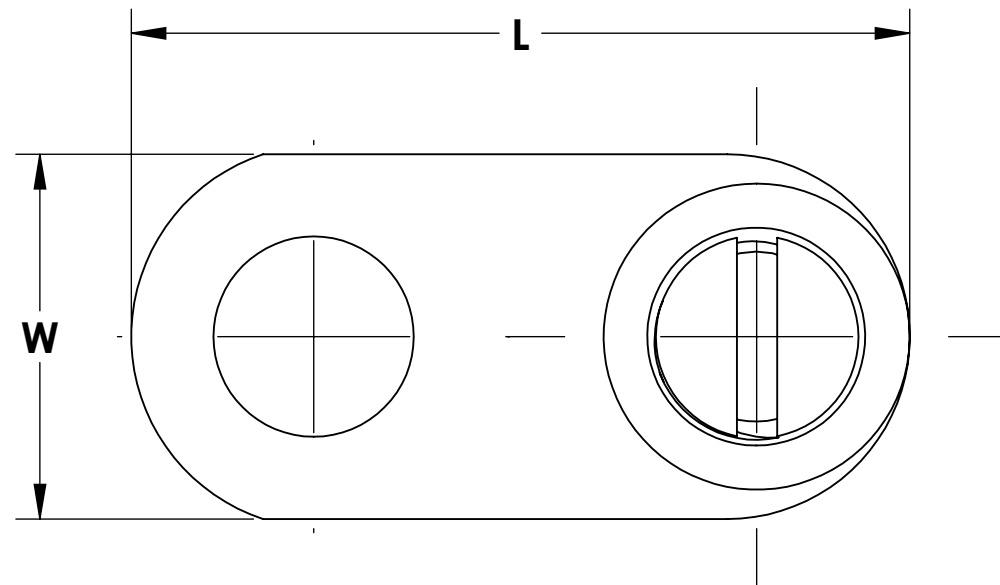
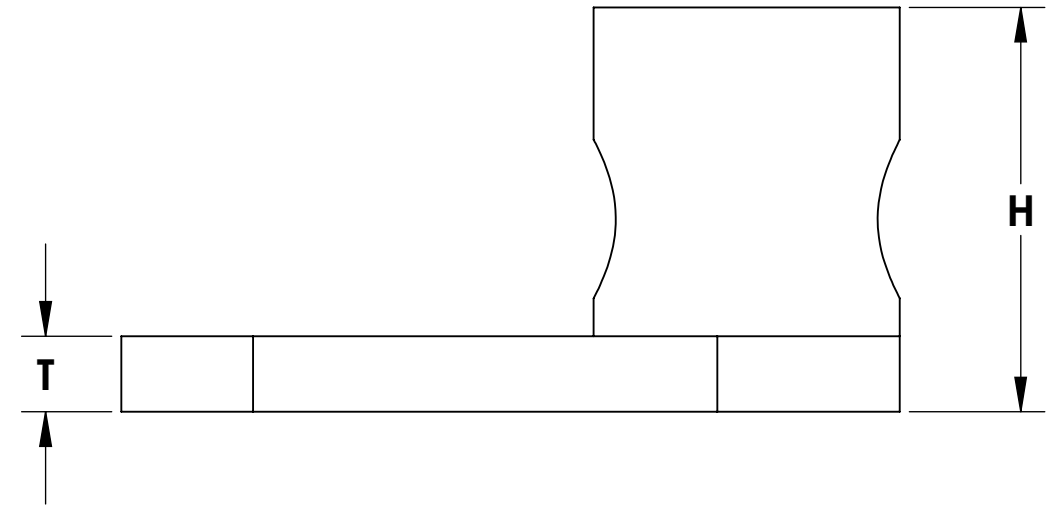


NOTES:

1. MATERIAL:
BODY - HIGH COPPER CONTENT ALLOY
HARDWARE - STAINLESS STEEL
2. PARTS ARE (c UL us) LISTED.
2. PARTS ARE SUITABLE FOR DIRECT BURIAL
3. FOR COPPER WIRE ONLY
4. PKG QTY: Q = 25
L = 50
C = 100
D = 500
5. SEE LABEL FOR SCREW TORQUE VALUES



DB
RATED



PANDUIT PART NUMBER	CONDUCTOR RANGE	STUD SIZE	APPROXIMATE DIMENSIONS +/- .08				INSTALLATION TOOL
			W	H	T	L	
LCG8-C	14 SOL. - 8 STR.	#10	0.38	0.42	0.08	0.81	SLOT SCREWDRIVER
LCG4-C	14 SOL. - 4 STR.	1/4	0.54	0.55	0.09	1.11	

REV	DATE	BY	CHK	APR	DESCRIPTION	ECN	TITLE	ITEM REVISION NAME	DATASET FILE NAME	MATERIAL	DRAWING NUMBER	SIZE	
00	11/18	DAKO	DAKO	RGB	DRAWING RELEASED	NPI-PWRGRD -00185EAA-DC/00	LCG SERIES COPPER GROUND MECHANICAL LUGS CUSTOMER DRAWING	00185EAA/00	00185EAA-DC/00.SLDDRW	SEE NOTES	00185EAA-DC	B	
							UNLESS OTHERWISE SPECIFIED, DIMENSIONAL TOLERANCES ARE: IN [mm]						
							.X ± .XXX ± .XX ± ANGLES ±						
							THIRD ANGLE PROJECTION						
							DRAWN BY: DAKO	DATE: 10/18	CHK: DAKO	SCALE: NONE	SHEET 1 OF 1		