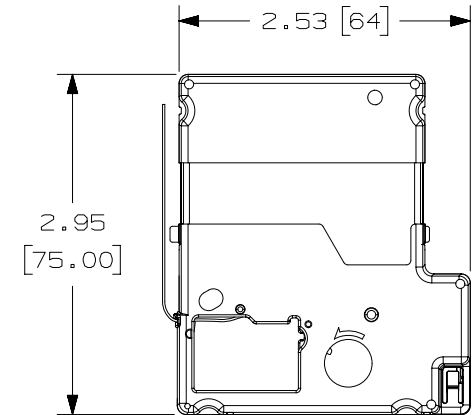
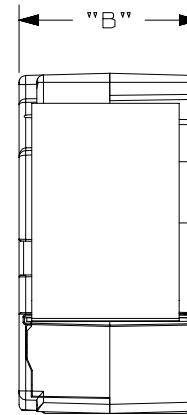


THIS COPY IS PROVIDED ON A RESTRICTED BASIS AND IS NOT TO BE USED IN ANY WAY DETRIMENTAL TO THE INTERESTS OF PANDUIT CORP.

MP CASSETTE PART NO.	LABEL "A" +/- .030 [0.76]	CASSETTE WIDTH "B" REF	COLOR	MATERIAL	ROLL LENGTH +10% / -0%
T038X000VPM-BK	0.354 [9.0]	.87 [22.1]	BLACK ON WHITE	GMV20	23 ft [7.01 m]
T038X000VXM-BK	0.354 [9.0]	.87 [22.1]	BLACK ON YELLOW	GMV20	23 ft [7.01 m]
T038X000YKM-BK	0.354 [9.0]	.87 [22.1]	BLACK ON CLEAR	GMV14	30 ft [9.14 m]
T050X000VPM-BK	0.472 [12.0]	.87 [22.1]	BLACK ON WHITE	GMV20	23 ft [7.01 m]
T050X000VXM-BK	0.472 [12.0]	.87 [22.1]	BLACK ON YELLOW	GMV20	23 ft [7.01 m]
T050X000YKM-BK	0.472 [12.0]	.87 [22.1]	BLACK ON CLEAR	GMV14	30 ft [9.14 m]
T075X000VPM-BK	.710 [18.0]	0.99 [25.1]	BLACK ON WHITE	GMV20	23 ft [7.01 m]
T075X000VXM-BK	.710 [18.0]	0.99 [25.1]	BLACK ON YELLOW	GMV20	23 ft [7.01 m]
T075X000YKM-BK	.710 [18.0]	0.99 [25.1]	BLACK ON CLEAR	GMV14	30 ft [9.14 m]
T100X000VPM-BK	0.945 [24.0]	1.10 [27.9]	BLACK ON WHITE	GMV20	23 ft [7.01 m]
T100X000VXM-BK	0.945 [24.0]	1.10 [27.9]	BLACK ON YELLOW	GMV20	23 ft [7.01 m]
T100X000YKM-BK	0.945 [24.0]	1.10 [27.9]	BLACK ON CLEAR	GMV14	30 ft [9.14 m]
T100X000MPM-BK	0.945 [24.0]	1.10 [27.9]	BLACK ON WHITE	MAG	5 ft [1.52 m]
T100X000MXM-BK	0.945 [24.0]	1.10 [27.9]	BLACK ON YELLOW	MAG	5 ft [1.52 m]
T150X000VPM-BK	1.417 [36.0]	1.56 [39.6]	BLACK ON WHITE	GMV20	23 ft [7.01 m]
T150X000VXM-BK	1.417 [36.0]	1.56 [39.6]	BLACK ON YELLOW	GMV20	23 ft [7.01 m]
T150X000YKM-BK	1.417 [36.0]	1.56 [39.6]	BLACK ON CLEAR	GMV14	30 ft [9.14 m]
T150X000MPM-BK	1.417 [36.0]	1.56 [39.6]	BLACK ON WHITE	MAG	5 ft [1.52 m]
T150X000MXM-BK	1.417 [36.0]	1.56 [39.6]	BLACK ON YELLOW	MAG	5 ft [1.52 m]



TITLE					MP CONTINUOUS TAPE				
					CUSTOMER DRAWING				
ITEM REVISION NAME					100743XP/01				
DATASET FILE NAME					100743XP_DC_MP CONT-TAPE/01B				
UNLESS OTHERWISE SPECIFIED, DIMENSIONAL TOLERANCES ARE: IN [mm]					PANDUIT				
.x ± .1 [2.54] .xxx ± .025 [.635] .xx ± .05 [1.27] ANGLES ±									
DRAWING NUMBER:					100743XP_DC				
THIRD ANGLE PROJECTION					SEE TABLE				
DRAWN BY					SHT 1 OF 1				
DATE					A				
CHK									
SCALE									
REV									
DATE									
BY									
CHK									
APR									

01	5/19/2020	RVU	JW	JHAC	The color should be listed as: 1) Black on White for all *PM-BK part numbers. 2) Black on Yellow for all *XM-BK part numbers. 3) Black on Clear for all *KM-BK part numbers.	GAECN05654
00	10/31/19	RVU	JW	JHAC	DRAWING RELEASE.	GAECN04945
REV	DATE	BY	CHK	APR	DESCRIPTION	ECN

D10100DA/20