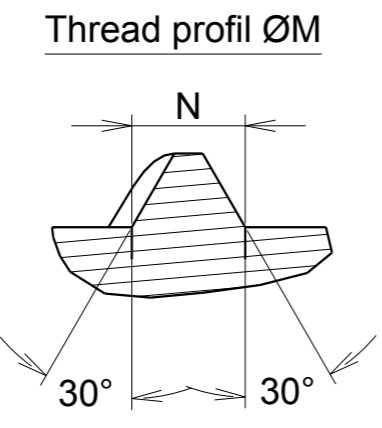


# CL1M - - 00

0 = unsealed (without O'ring and mating seal)  
 1= sealed (without panel gasket, only O'ring))  
 2= sealed (panel gasket + O'ring)

Shell/Dimension	Cts Layout	Cts Qty	Ø Cts	Ø B	Ø C	F	G	H maxi	J	K ±0.4	L ±0.35	Ø M	N
1	1 2	4 9	1.6 mm 1.0 mm	14.5	PG13	4	17.7	42.35	21.4	29.24	3.2	20.2	1.5
2	1 2	9 14	1.6 mm 1.0 mm	17.77	M24x1.5	4	17.7	42.35	24.6	30.84	3.2	23.56	1.8
3	1 2	18 31	1.6 mm 1.0 mm	22.7	PG21	4	17.7	42.35	28.6	35.59	3.8	28.24	2
4	1 2	26 40	1.6 mm 1.0 mm	33.6	M40x1.5	4	17.7	42.35	36.5	47.48	3.8	39.66	2.5



## CUSTOMER DRAWING

b	10/02/14	UPDATE drawing : quotation and tolerances		23388
ISS	DATE	Latest modification - by: BERTHOME A.		MOD N°
Designed by: brioux		Date: 16/09/11	CUSTOMER DRAWING	
TITLE		Male receptacle CLIPPER Shell 1-2-3-4		
Scale	1/1	General linear Tolerances: ± 0.2	NPRDS / PROJECT	
SOURIAU		WWW.SOURIAU.COM		This document is the property of SOURIAU It must not be reproduced or communicated without permission
FORMAT	A3	SOURIAU DRG N° C58-JCL1-A		SHEET 1/1

NOT EXPORT CONTROLLED