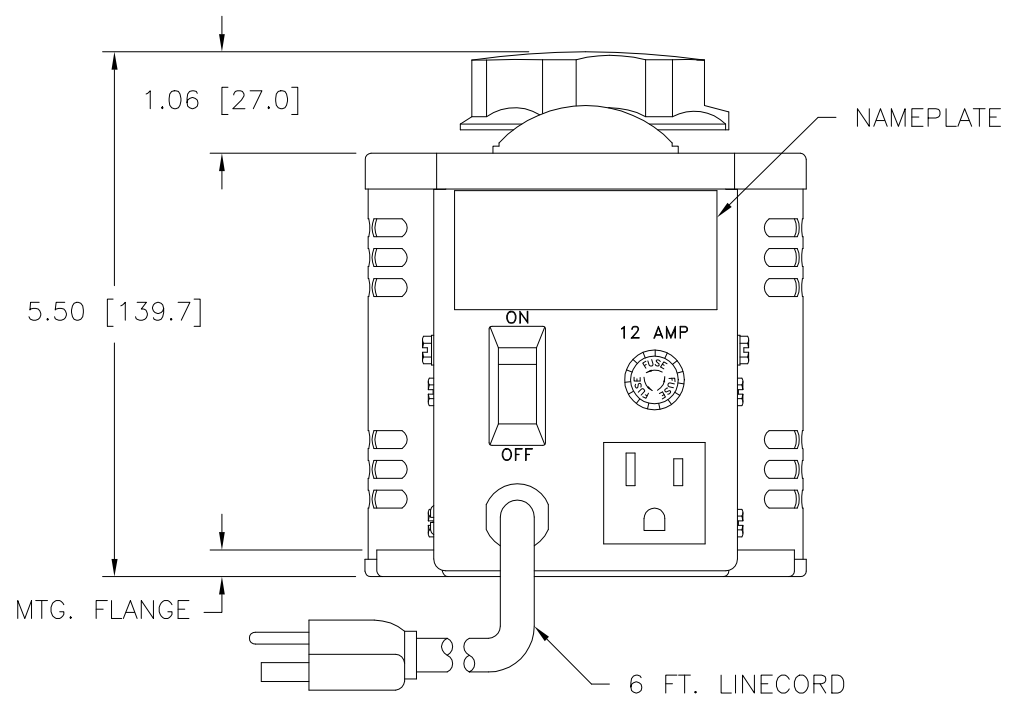
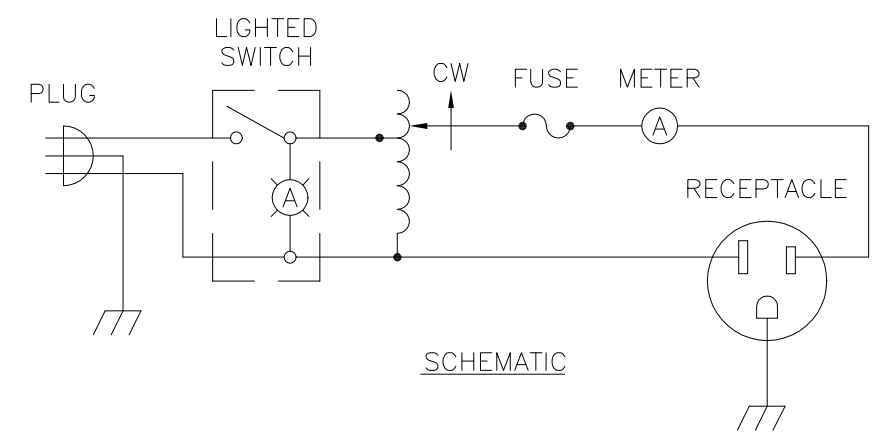
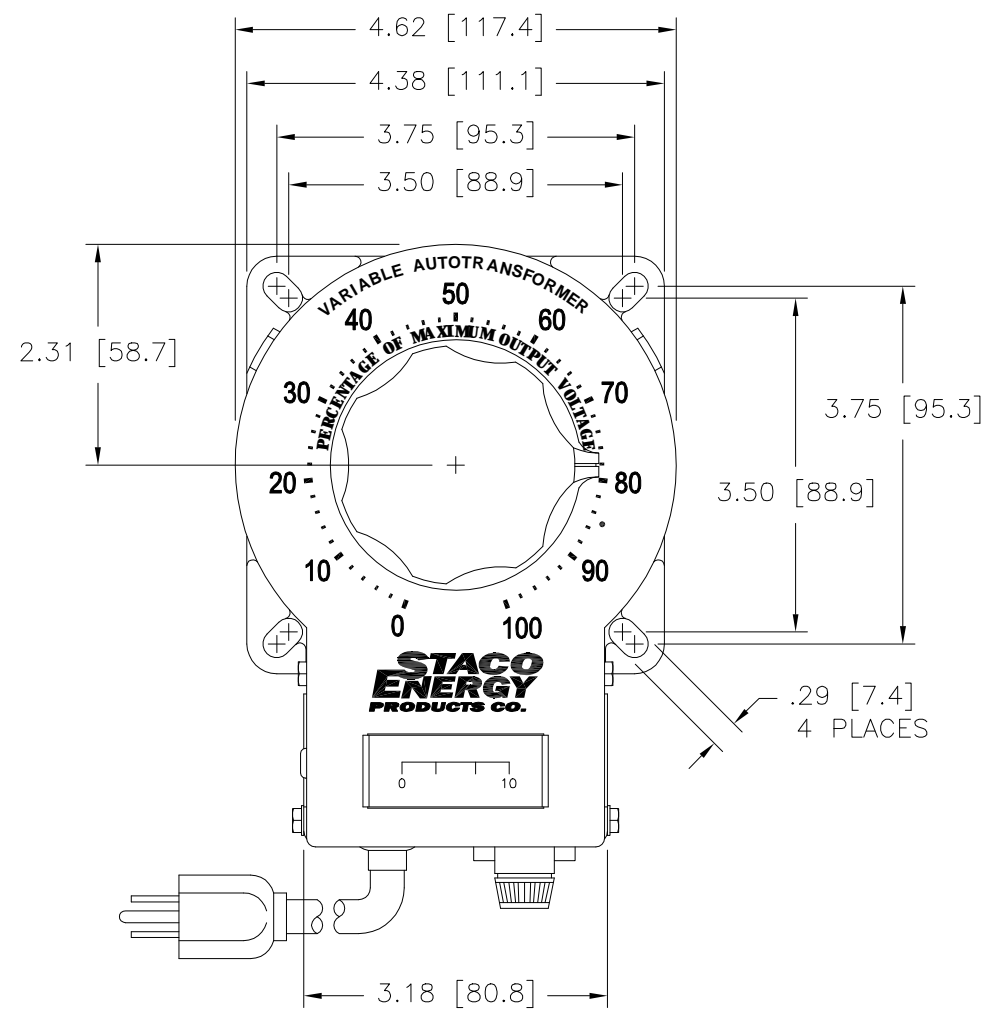
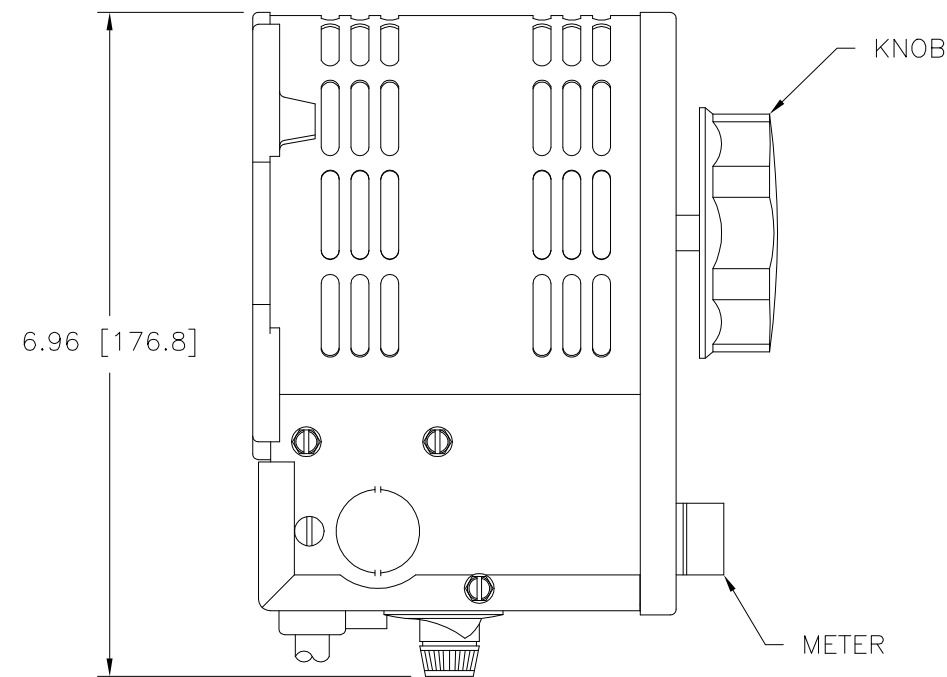


DWG. NO.	031-1650		
REVISIONS			
SYM.	E.C.N.	DATE	APVD.
A	24536	3/12/01	
REVISED SILKSCREEN			



SPECIFICATIONS					
WIRING	INPUT		OUTPUT		
	VOLTS	HERTZ	VOLTS	CONSTANT CURRENT LOAD	
SINGLE PHASE	120	50/60	0-140	MAX. AMPS	MAX. KVA
				10	1.4

UNLESS OTHERWISE SPECIFIED, TOLERANCE IS ±		UNITS		TITLE: SPEC. CONTROL DRAWING	
DECIMALS	HOLES	ANGLES	DRAFT	VARIABLE TRANSFORMER	
.XX	.0000	1°	1-1/2°	MODEL: 3PN1010BA	
MATERIAL:		ALL DIMENSIONS APPLY AFTER PLATING		DRAWN BY: S.A. SMITH	
DATE: 10/10/96		FIRST USED ON: 3PN1010BA		DO NOT SCALE DWG.	
CHECKER:		WEIGHT APPROX. 10.25 LBS		CAGE CODE 83008	
ENGINEER:		SCALE 1=1		DWG. NO. 031-1650	
		SHEET 1 OF 1		D	

