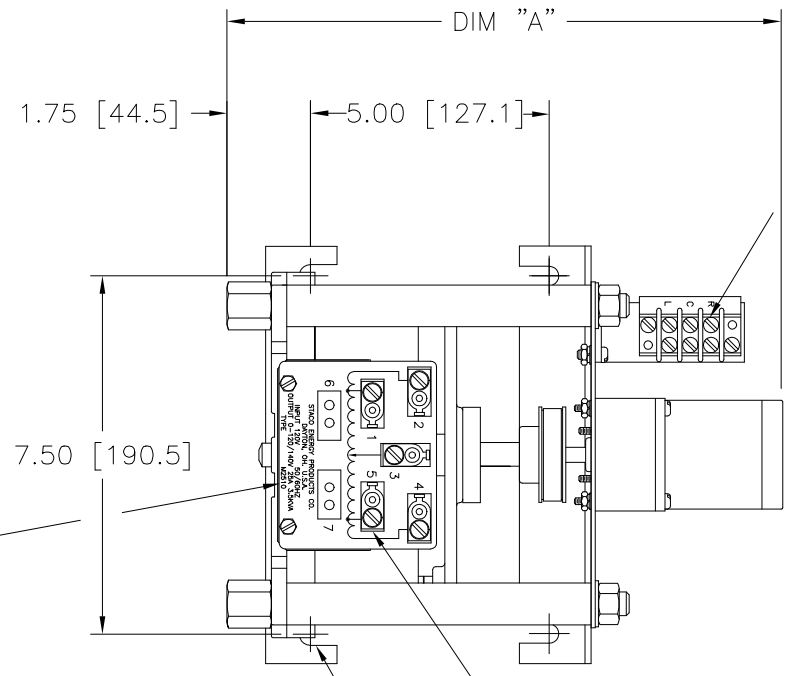


STANDOFFS TAPPED
 1/2-13 X .50 (12.7)
 DEEP FOR MTG. BOLTS
 (4) PLACES

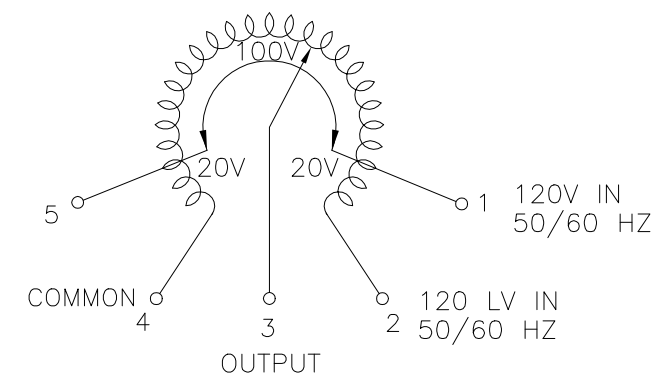


MARK SPEED PER
 BILL OF MATERIAL

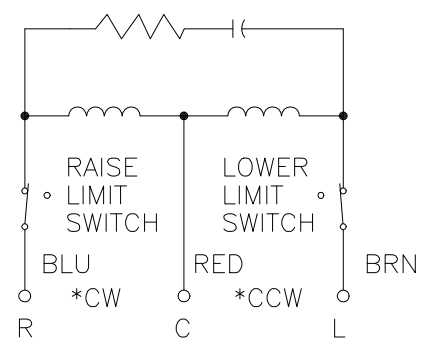
(4) SLOTS IN SUPPORTS
 FOR .38 [9.6] MTG. BOLTS

OPTIONAL TERMINALS FOR
 PUSH ON CONNECTIONS
 (.032 X .250) SUPPLIED

MOTOR DRIVE TERMINALS



SCHMATIC
 VIEW FROM BASE END



MOTOR CIRCUIT
 120V 50/60 HZ.
 MOTOR SPEED: SEE CHART
 * ROTATION AS VIEWED
 FROM MOTOR END

SPEED (SECONDS)	MODEL NUMBER	DIM "A"
5	5M2510	11.23 [285.2]
15	15M2510	11.23 [285.2]
30	30M2510	11.62 [295.1]
60	60M2510	11.62 [295.1]

WIRING	INPUT		OUTPUT				SHAFT ROTATION TO INCREASE VOLTAGE	TERMINAL CONNECTIONS			
	VOLTS	HERTZ	VOLTS	CONSTANT CURRENT LOAD		CONSTANT IMPEDANCE LOAD		FOR INCREASING VOLTAGE AS VIEWED FROM BASE END			
				MAX. AMPS	MAX. KVA	MAX. AMPS		MAX. KVA	INPUT	JUMPER	OUTPUT
SINGLE PHASE	120	50/60	0-120	25	3.00	30	3.6	CW	2-4	---	4-3
			0-140	25	3.50	---	---	CCW	2-4	---	2-3
								CW	1-4	---	4-3
								CCW	2-5	---	2-3

UNLESS OTHERWISE SPECIFIED, TOLERANCE IS # DECIMALS .XX .010 .XXX .005 HOLES .002 ANGLES 1° DRAFT 1-1/2° UNITS IN [mm]

MATERIAL: ALL DIMENSIONS APPLY AFTER PLATING

TITLE: SPEC. CONTROL DRAWING
 MOTORIZED VARIABLE XFMR.
 TYPE: M2510

STACO ENERGY PRODUCTS CO.
 A COMPONENTS CORPORATION OF AMERICA COMPANY
 DAYTON, OHIO U.S.A.

DRAWN BY: TIM RAU DATE: 6/3/98 FIRST USED ON: DO NOT SCALE DWG. CUSTOMER APPROVAL: DATE:

CHECKER: DATE: WEIGHT APPROX. CODE IDENT. NO. 83008 DWG. NO. 031-5100

ENGINEER: DATE: SCALE: .5=1 SHEET 1 OF 1