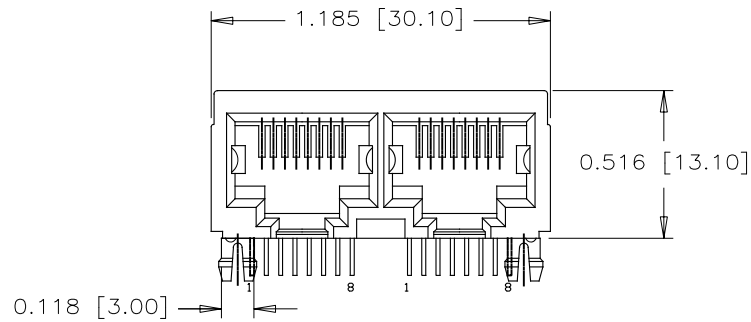
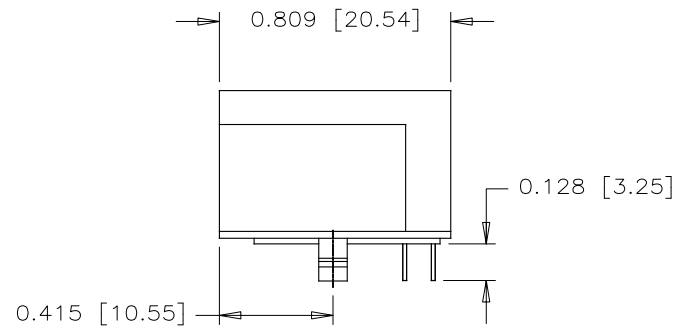


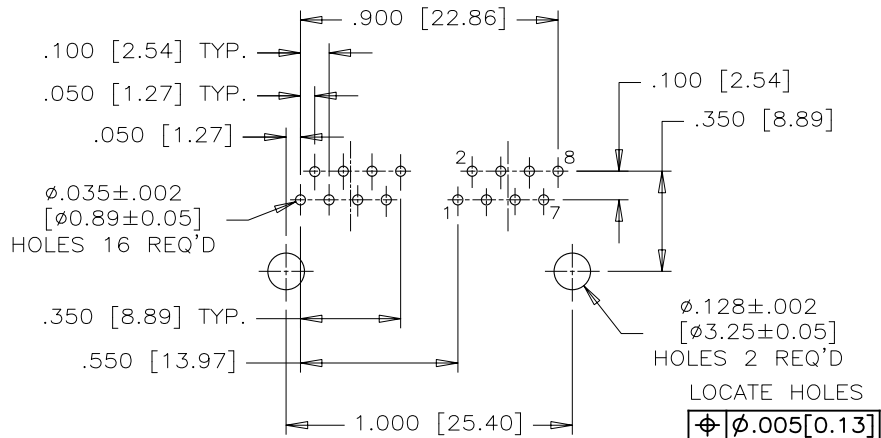
REVISIONS			
REV	DESCRIPTION, ECN, EAR NO.	DATE	APP'D
A	RELEASE DRAWING	MAY19/21	L.CHAN



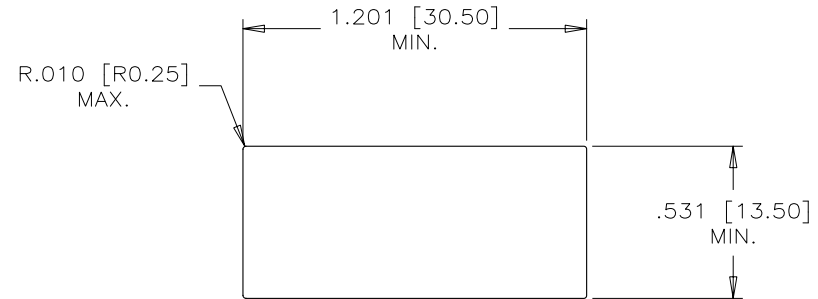
FRONT VIEW



SIDE VIEW



RECOMMENDED P.C.B. LAYOUT  
(COMPONENT SIDE OF BOARD)  
TOLERANCE:  $\pm 0.05$  [.002]



RECOMMENDED PANEL CUTOUT

MATERIALS:

HOUSING: HIGH TEMPERATURE THERMOPLASTIC  
FLAMMABILITY RATING UL 94V-0  
COLOUR: BLACK

CONTACTS: PHOSPHOR BRONZE

PLATING: SELECTIVE GOLD PLATING ON MATING SURFACES  
SEE AMPHENOL PART NUMBER FOR DETAIL.

50U" MIN. NICKEL OVERALL

GOLD FLASH ON CONTACT TAILS

RECOMMEND SOLDER PROCESS

WAVE SOLDER ,PEAK TEMPERATURE 260° FOR 5~8 SECOND

REFLOW SOLDER ,PEAK TEMPERATURE 260° FOR 10 SECOND MAX

AMPHENOL PART NUMBER: RJE09-288-0X10-H

GOLD PLATING

- 1 = 06  $\mu$ "
- 2 = 15  $\mu$ "
- 3 = 30  $\mu$ "
- 4 = 50  $\mu$ "

UNLESS SPECIFIED OTHERWISE	DRAWN	STEVE.X	MAY19/21
PRIMARY UNITS INCHES	CHECKED	L.CHAN	MAY19/21
SECONDARY MILLIMETERS	M.E. APP'D		
REFERENCE IN PARENTHESES	Q.A. APP'D		
GENERAL TOLERANCES	DWG APP'D		
1 DECIMAL PLACE $\pm 0.015$	ENG. REL. NO.		
2 DECIMAL PLACES $\pm 0.010$	REF.		
3 DECIMAL PLACES $\pm 0.010$	THIRD ANGLE PROJECTION		
ANGULAR DEGREES $\pm 1.5^\circ$	DO NOT SCALE DRAWING		

Amphenol Canada Corp.  
Commercial Products

TITLE RJE09 MODULAR JACK,  
2 PORTS, 8 POSITION, 8 CONTACTS  
WITHOUT SHIELD - RoHS COMPLIANT

DWG NO.	P-RJE09-288-0X10-H	REV	A
CODE ID NO.	03554	DWG SIZE	X
SCALE	XX:1	SHEET	1 OF 1