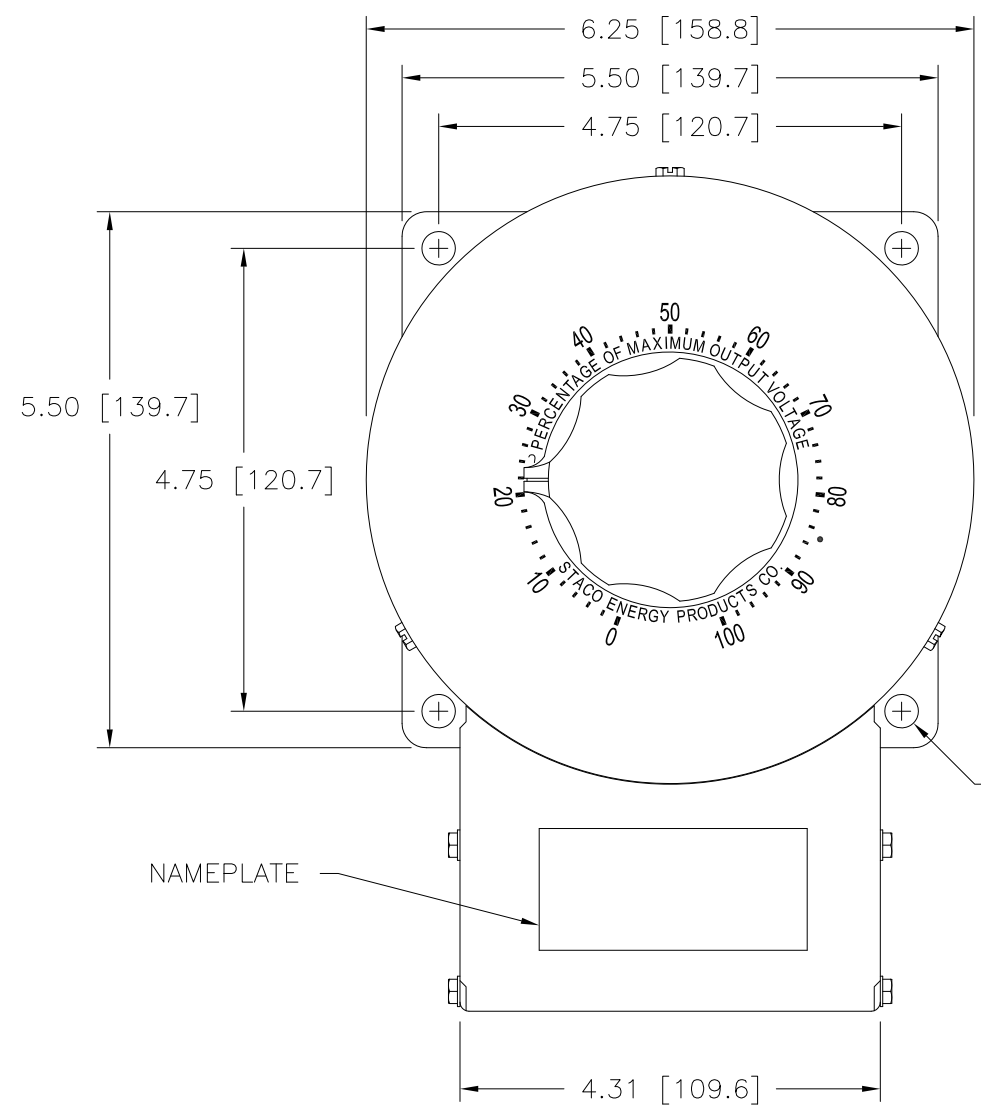
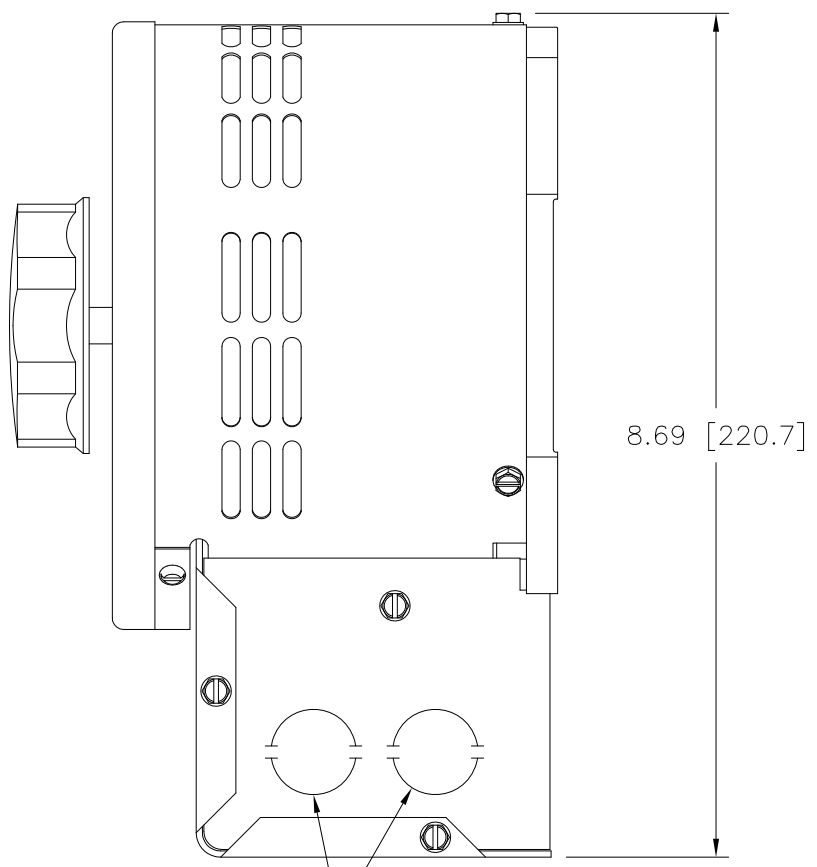


DWG. NO.	031-3651		
REVISIONS			
SYM.	E.C.N.	DATE	APVD.
A	23902	12/16/98	
REDRAWN ON CAD			
B	25804	10/16/06	
UPDATED PER SCREEN 639-0243			
C	28069	12/5/14	
UPDATED PER SCREEN 639-0243			

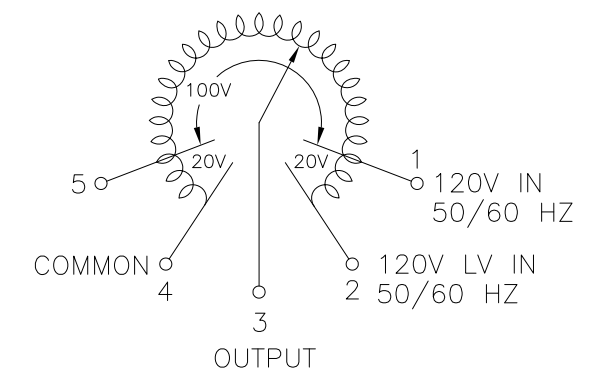


.34 [8.7] DIA. HOLE  
4 PLACES FOR  
CUSTOMER MOUNTING

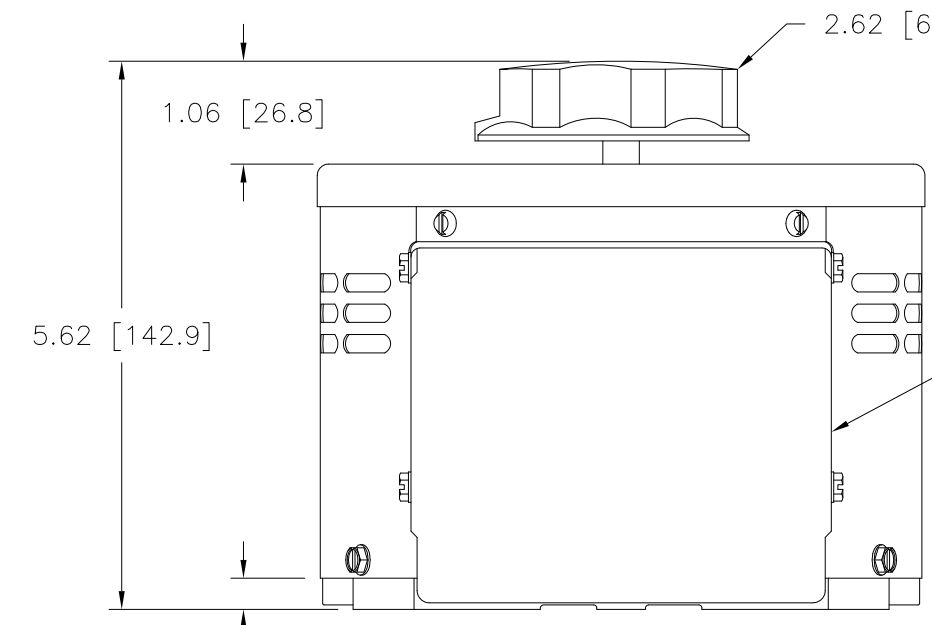


.88 [22.2] DIA. KNOCKOUT  
2 PLACES EACH SIDE

NOTE:  
UNIT IS SUPPLIED WITH A 3.75 [95.2] DIA.  
0-100 GRADUATED DIAL PLATE FOR PANEL  
MOUNTING.



OUTPUT  
COIL SCHEMATIC  
AS VIEWED FROM BASE END  
FUSE RECOMMENDED BUT  
NOT SUPPLIED



REMOVABLE COVER FOR  
ACCESS TO TERMINAL BOARD

.32 [8.1] THK.  
MTG. FLANGE

SPECIFICATIONS											
WIRING	INPUT		OUTPUT				SHAFT ROTATION TO INCREASE VOLTAGE	TERMINAL CONNECTIONS			
	VOLTS	HERTZ	VOLTS	CONSTANT CURRENT LOAD MAX. AMPS	CONSTANT IMPEDANCE LOAD MAX. KVA	MAX. AMPS		MAX. KVA	FOR INCREASING VOLTAGE AS VIEWED FROM BASE END		
SINGLE PHASE	120	50/60	0-120	15	1.80	20	2.40	CW	2-4	---	4-3
			0-140	15	2.10	---	---	CCW	2-4	---	2-3
								CW	1-4	---	4-3
								CCW	5-2	---	2-3

UNLESS OTHERWISE SPECIFIED, TOLERANCE IS ±  
DECIMALS HOLES ANGLES DRAFT  
.XX .06 .05 .01 1° 1-1/2°  
XXX .025

UNITS  
IN [mm]

MATERIAL: ALL DIMENSIONS APPLY AFTER PLATING

TITLE: SPEC. CONTROL DRAWING  
VARIABLE TRANSFORMER  
MODEL: 1510CT

STACO ENERGY PRODUCTS CO.  
A Components Corporation of America Company  
301 Gaddis Boulevard Dayton, Ohio 45403 USA

DRAWN BY: S.A. SMITH DATE: 11/15/96 FIRST USED ON: 1510CT DO NOT SCALE DWG.  
CHECKER: DATE: WEIGHT APPROX: 16 LBS CASE CODE: 83008 DWG. NO.: 031-3651  
ENGINEER: DATE: SCALE: 1=1 SHEET 1 of 1