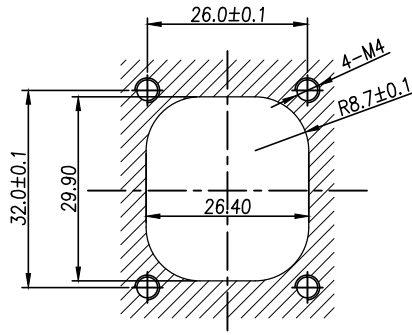
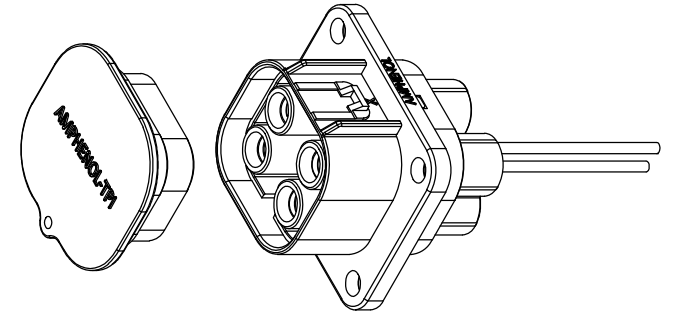
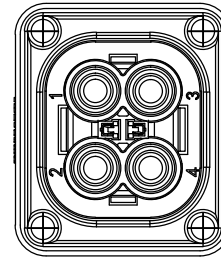
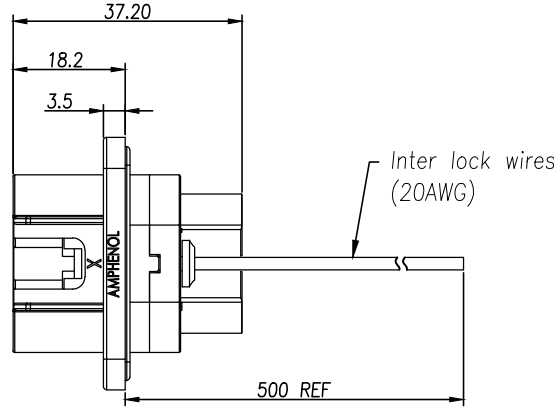
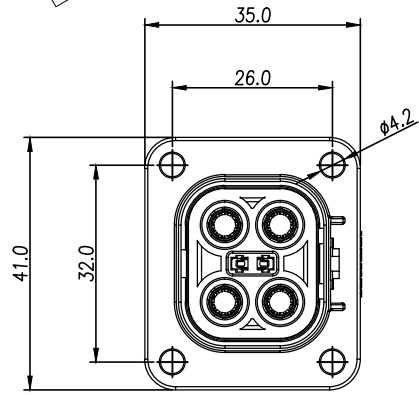


THIS DRAWING IS SUPPLIED FOR INFORMATION ONLY. DESIGN FEATURES, SPECIFICATIONS AND PERFORMANCE DATA SHOWN HEREON ARE THE PROPERTY OF THE AMPHENOL CORPORATION. NO RIGHTS OF REPRODUCTION ARE IMPLIED. ALL DIMENSIONS ARE SUBJECT TO NORMAL MANUFACTURING VARIATIONS.

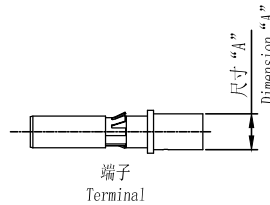
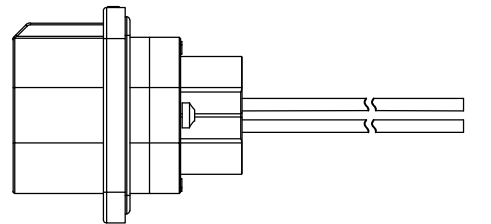
Customer Drawing

插座 - 非屏蔽 RCPT - UNSHIELDING CABLE

REVISIONS					
REV	ZONE	ECO	DESCRIPTION	DATE	BY APPR
A	--	--	Add Information: Accepted Unshielding Wire	03/09/15	RW EC
C	--	--	Change pin for 4mm ² wire, cancel HST on HVL wire	11/03/15	RW GX
D	--	--	Add dust cap	01/15/16	RW GX



面板安装孔尺寸
Panel Size



Standard Part List (With HVIL)

P/N	Model NO.	Dimension "A"	Accepted Wire
AC-HA002960	PL084X-41-2.5	φ3.70mm	2.5mm ² Unshielding wire
AC-HA002961	PL084Y-41-2.5		
AC-HA002962	PL084U-41-2.5		
AC-HA002963	PL084X-41-4	△ φ4.57mm	4mm ² Unshielding wire
AC-HA002964	PL084Y-41-4		
AC-HA002965	PL084U-41-4	φ5.80mm	6mm ² Unshielding wire
AC-HA002966	PL084X-41-6		
AC-HA002967	PL084Y-41-6		
AC-HA002968	PL084U-41-6		

Standard Part List (Without HVIL)

P/N	Model NO.	Dimension "A"	Accepted Wire Size
AC-HA002951	PL084X-40-2.5	φ3.70mm	2.5mm ² Unshielding wire
AC-HA002952	PL084Y-40-2.5		
AC-HA002953	PL084U-40-2.5		
AC-HA002954	PL084X-40-4	△ φ4.57mm	4mm ² Unshielding wire
AC-HA002955	PL084Y-40-4		
AC-HA002956	PL084U-40-4	φ5.80mm	6mm ² Unshielding wire
AC-HA002957	PL084X-40-6		
AC-HA002958	PL084Y-40-6		
AC-HA002959	PL084U-40-6		

规格参数 (Spec.):

1. 工作温度 Operating temperature: -40° C~+125° C.
2. 额定电流 Current rating: 35 A.
3. 额定电压 Operating voltage: 1000 VDC.
4. 耐电压 Dielectric withstanding voltage: 5000 VDC.
5. 防护等级 Protection class: IP67.
6. 电磁屏蔽 Shielding.
7. 机械寿命 Mating cycle: 100 Min.
8. 带自动二次锁扣 Automatic secondary lock.
9. 带高压互锁 Electrical interlock (HVIL).
10. 接非屏蔽线 Accepted Unshielding Wire.
11. 推荐法兰盘螺丝安装扭矩 Recommended Screw Assembly Torque on Flange : 1.6~2.4 Nm

订购信息 Ordering Information

P L 0 8 4 X - 4 1 - 6		
键位 Key	高压互锁 HVIL	线缆大小 Cable Size
"X"	0, 不带互锁 No HVIL	"6"=6mm ² (Unshielding)
"Y"	1, 带互锁 With HVIL	"4"=4mm ² (Unshielding)
"U"		"2.5"=2.5mm ² (Unshielding)

	Amphenol Technical Products International GZ				
	第三角投影 THIRD ANGLE PROJECTION	页面 SHEET	幅面 SIZE	版次 REV.	比例 SCALE
签名 SIGNATURE		日期 DATE	UNLESS OTHERWISE SPECIFIED		DWG NO:
制图 DRAWN	RW	08/28/14	1) All dimensions are in metric (mm). 2) Tolerances are as follows:		PL084-40
审核 CHECKED	GX	08/28/14	0 PL DEC ±1.00 1 PL DEC ±0.50 2 PL DEC ±0.20		CUST PART #:
批准 APPROVAL	EC	08/28/14	Angles ±1°		N/A
					CUST REV.:
					-