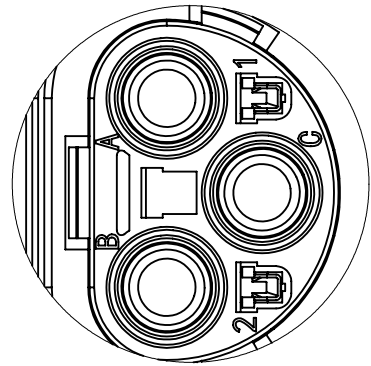
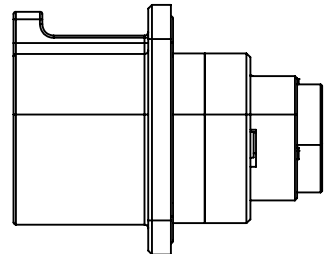
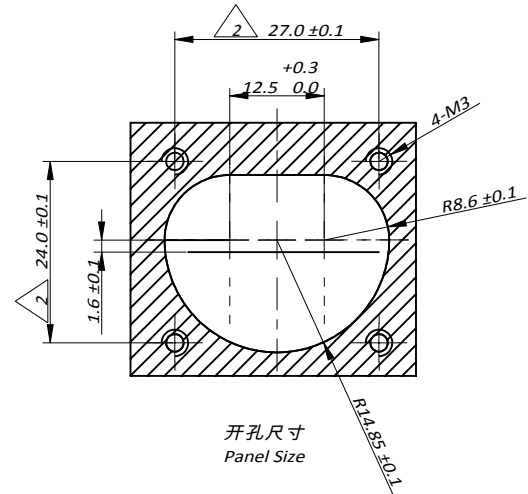
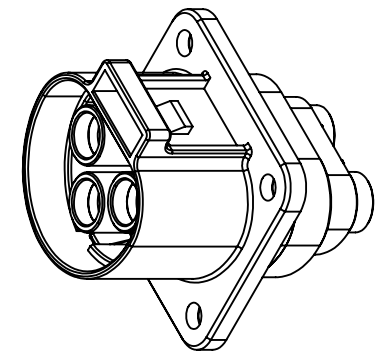
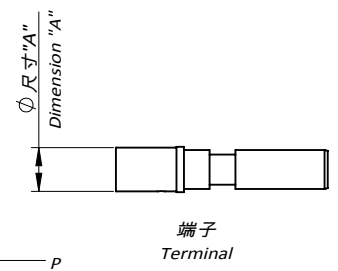
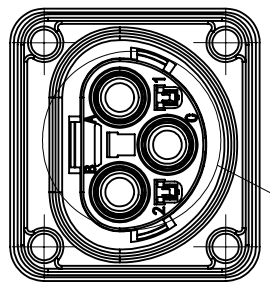
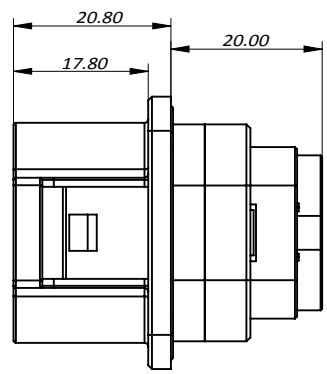
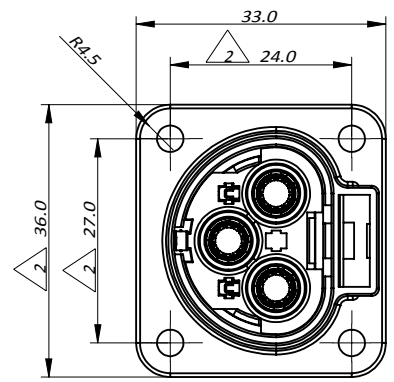


THIS DRAWING IS SUPPLIED FOR INFORMATION ONLY. DESIGN FEATURES, SPECIFICATIONS AND PERFORMANCE DATA SHOWN HEREON ARE THE PROPERTY OF THE AMPHENOL CORPORATION. NO RIGHTS OF REPRODUCTION ARE IMPLIED. ALL DIMENSIONS ARE SUBJECT TO NORMAL MANUFACTURING VARIATIONS.

# CUSTOMER DRAWING

插座 - 接非屏蔽线  
RCPT - WITH UNSHIELDING CABLE

REVISIONS				
REV#	REVISION ACTION	REV.BY:	APPR.BY:	DATE
1	INITIAL RELEASE	RW	GX	03/14/2016
2	Update spec and dimension of flange & panel	RW	TS	05/06/2016
3	Update spec	SW	TS	08/24/2016



规格参数(Spec.):

1. 工作温度 Operating temperature : -40°C ~ +125°C.
2. 额定电流 Current rating: 35 A(Max.)
3. 额定电压 Operating voltage: 400 VAC, 690 VDC.
4. 耐电压 Dielectric withstanding voltage: 4000 VDC.
5. 防护等级 Protection class: IP67 (Mating condition).
6. 机械寿命 Mating cycle: 100 Min.
7. 带高压互锁 Electrical interlock (HVIL) (Optional).
8. 法兰盘螺丝安装扭矩 Screw Assembly Torque on Flange : 0.7~1.0 Nm
9. 接非屏蔽线 Accepted Unshielding Wire.
10. 防火等级 Flammability grade: 94-V0

订购信息 Ordering Information



局部视图 P  
比例 2:1

Standard Part List(With HVIL)

Model NO.	Dimension "A"	Accepted Wire
PL083X-41-2.5		
PL083Y-41-2.5	∅ 3.70mm	2.5mm Unshielding Wire
PL083U-41-2.5		
PL083X-41-4		
PL083Y-41-4	∅ 4.57mm	4mm Unshielding Wire
PL083U-41-4		
PL083X-41-6		
PL083Y-41-6	∅ 5.80mm	6mm Unshielding Wire
PL083U-41-6		

Standard Part List(Without HVIL)

Model NO.	Dimension "A"	Accepted Wire
PL083X-40-2.5		
PL083Y-40-2.5	∅ 3.70mm	2.5mm Unshielding Wire
PL083U-40-2.5		
PL083X-40-4		
PL083Y-40-4	∅ 4.57mm	4mm Unshielding Wire
PL083U-40-4		
PL083X-40-6		
PL083Y-40-6	∅ 5.80mm	6mm Unshielding Wire
PL083U-40-6		

**Amphenol Technical Products International GZ.**

第三角投影 THIRD ANGLE PROJECTION	页面 SHEET	幅面 SIZE	版次 REV.	比例 SCALE	PART NAME: <b>PwrLok 3.6mm 3POS Rcpt Conn</b>
1 OF 1	A4	3			
签名 SIGNATURE		日期 DATE		UNLESS OTHERWISE SPECIFIED	
制图 DRAWN		SW		1) All dimensions are in metric(mm).	
审核 CHECKED				2) Tolerances are as follows:	
批准 APPROVAL				1.PL DEC ± 1.00	
				2.PL DEC ± 0.50	
				3.PL DEC ± 0.20	
				Angles ±1°	
				DWG NO: <b>PL083X-40</b>	
				CUST PART # N/A	
				CUST REV. -	