

**PLEASE CHECK WWW.MOLEX.COM FOR LATEST PART INFORMATION**

**Part Number:** **0190050004**  
**Status:** **Active**  
**Overview:** Standard Quick-Disconnect Terminals  
**Description:** InsulKrimp Fully Insulated Coupler, Female, for 18-22 AWG Wire, Mylar Tape

**Documents:**

[3D Model](#) [Product Specification PS-19902-011-001 \(PDF\)](#)  
[3D Model \(PDF\)](#) [Product Specification PS-19902-015-001 \(PDF\)](#)  
[Drawing \(PDF\)](#) [RoHS Certificate of Compliance \(PDF\)](#)  
[Product Specification PS-19902-008-001 \(PDF\)](#)

**Agency Certification**

CSA LR18689  
 UL E79133

**General**

Product Family Quick Disconnects  
 Series 19005  
 Crimp Quality Equipment Yes  
 Insulated Fully  
 Overview Standard Quick-Disconnect Terminals  
 Product Name InsulKrimp  
 Type Quick Disconnect  
 UPC 800753030473

**Physical**

Barrel Type Closed  
 Color - Resin Red  
 Flammability 94V-2  
 Gender Female  
 Glow-Wire Capable No  
 Insulation Nylon (PA)  
 Lock to Mating Part None  
 Material - Metal Brass  
 Material - Plating Mating Tin  
 Material - Plating Termination Tin  
 Material - Resin Nylon  
 Net Weight 1.428/g  
 Orientation Straight  
 Packaging Type Adhesive Tape on Reel  
 Polarized to Mating Part No  
 Tab Thickness 0.81mm  
 Tab Width 6.35mm  
 Temperature Range - Operating -65° to +105°C  
 Wire Insulation Diameter 4.19mm max.  
 Wire Size AWG 18, 20, 22

**Electrical**

Voltage - Maximum 600V

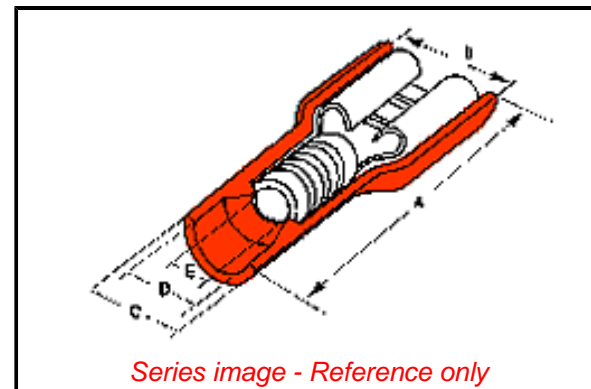
**Solder Process Data**

Lead-free Process Capability N/A

**Material Info**

Engineering Number AA-2261T

**Reference - Drawing Numbers**



Series image - Reference only

**EU ELV**

**Not Relevant**

**EU RoHS**

**Compliant**

**REACH SVHC**

Not Contained Per -  
 D(2021)4569-DC (8  
 July 2021)

**Halogen-Free**

**Status**

**Low-Halogen**

For more information, please visit [Contact US](#)

China ROHS

ELV

RoHS Phthalates

**China RoHS**

Green Image

Not Relevant

Not Contained

**Search Parts in this Series**

19005 Series

**Use With**

190040001 , 190040004

**Application Tooling | FAQ**

*Tooling specifications and manuals are found by selecting the products below. Crimp Height Specifications are then contained in the Application Tooling Specification document.*

**Global**

Description	Product #
ATP Crimp Dies for the Tape Crimp Module and ATP-101 & 301 Press	<u>192880095</u>
Mini-Mac Applicator	<u>638852600</u>

Product Specification

Sales Drawing

PS-19902-008-001, PS-19902-011-001,  
PS-19902-015-001  
SD-19005-001-001

This document was generated on 09/02/2021

**PLEASE CHECK [WWW.MOLEX.COM](http://WWW.MOLEX.COM) FOR LATEST PART INFORMATION**