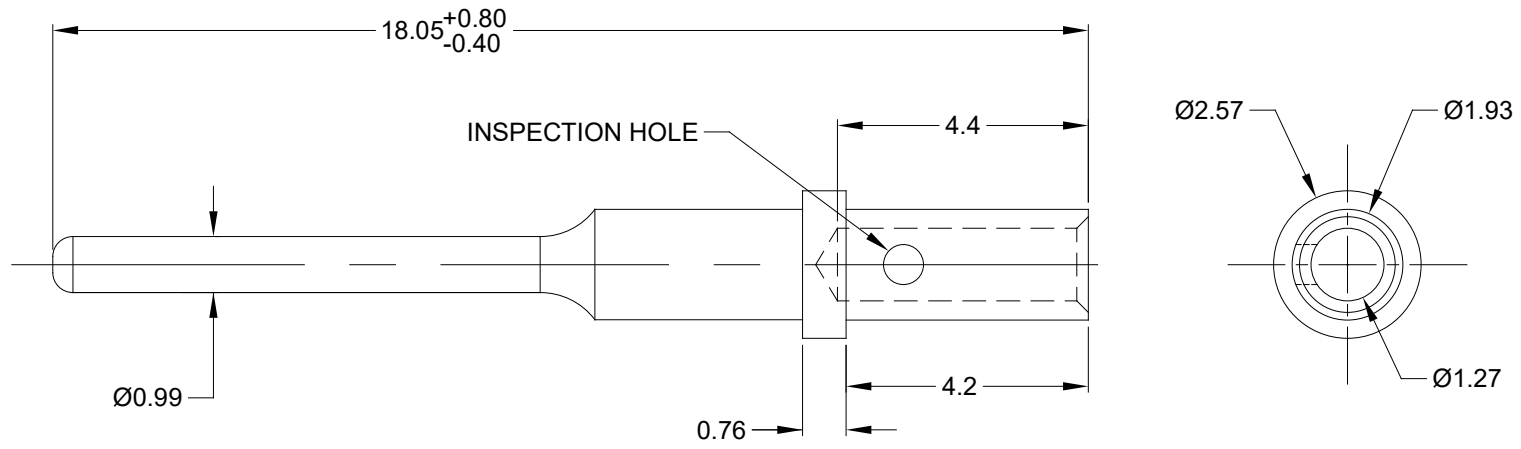


REVISIONS					
REV	ECO	DESCRIPTION	DATE	BY	APPR
A7	-	REVISED LENGTH LIMITS	10MAY2019	JAH	-



NOTES: UNLESS OTHERWISE SPECIFIED

- 1. MATERIAL: COPPER ALLOY
- 2. PLATING: SEE PART NUMBER CHART
- 3. CONTACT SIZE: 20
- 4. SPECIFICATIONS:
 - 4.1 CURRENT RATING: 7.5 AMPS
 - 4.2 CONTACT MILLIVOLT DROP: 60 MILLIVOLT DROP @ 7.5 AMP TEST CURRENT.
 - 4.3 RoHS COMPLIANT
- 5. RECOMMENDED WIRE RANGE: 20 AWG
- 6. AVAILABLE HAND CRIMPER: CA-5D12
- 7. ALL DIMENSIONS ARE FOR REFERENCE USE ONLY

PART NUMBER CHART	
PLATING	PART NUMBER
GOLD	AT60-202-2031
NICKEL	AT60-202-20141

SEE PART NUMBER CHART		DESCRIPTION	ITEM
QUANTITY	PART NUMBER		

MATERIALS LIST			
UNLESS OTHERWISE SPECIFIED 1) All dimensions are in metric(mm). 2) Tolerances are as follows: 1 PL DEC ±0.30 Fractions ±1/64 2 PL DEC ±0.15 Angles ±1° 3 PL DEC ±0.08		SIGNATURES	DATE
3) Note reference =		DRAWN: BROOK	08/JAN/19
MATERIAL SPECIFICATIONS:		CHECKED: ORION	08/JAN/19
PROCESS SPECIFICATIONS:		ENGINEER:	
NEXT ASSY:		APPROVAL: TOMMY	08/JAN/19
		CUSTOMER:	
		THIS DRAWING IS SUPPLIED FOR INFORMATION ONLY. DESIGN FEATURES, SPECIFICATIONS AND PERFORMANCE DATA SHOWN HEREON ARE THE PROPERTY OF THE AMPHENOL CORPORATION. NO RIGHTS OF REPRODUCTION ARE IMPLIED. ALL DIMENSIONS ARE SUBJECT TO NORMAL MANUFACTURING VARIATIONS.	
SIZE	TYPE	DWG NO:	REVISION
A	C-	AT60-202-20XXX	A7
SCALE: NONE		SHEET 1 OF 1	

Amphenol
Sine Systems - www.amphenol-sine.com
44724 Morley Drive
Clinton Township, MI 48036

CONTACT, PIN, SOLID, SIZE 20,
20 AWG, ATM SERIES