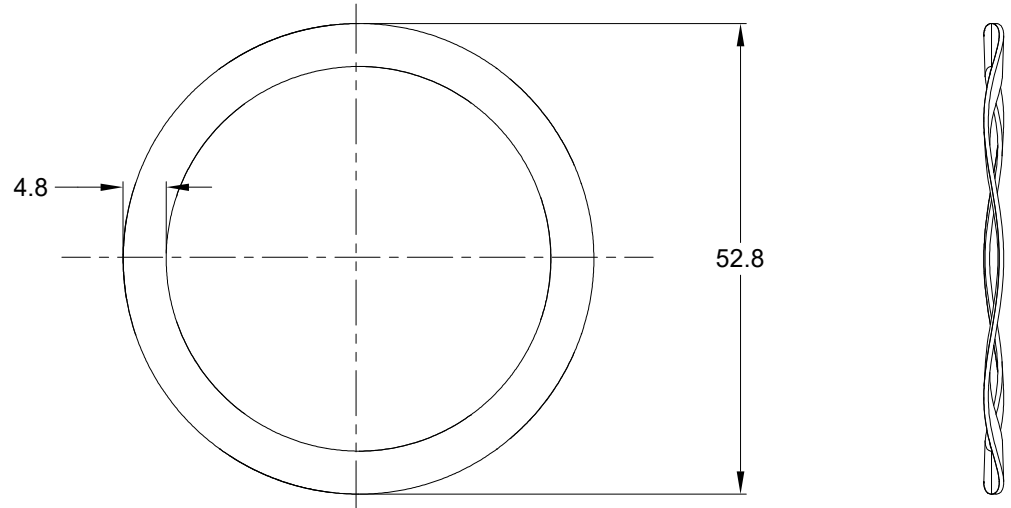


REVISIONS					
REV	ECO	DESCRIPTION	DATE	BY	APPR
A1		RELEASE NEW PRODUCT	10AUG15	ORION	TOMMY
A2		ADD PLATING IN NOTE	14SEP21	ORION	TOMMY



NOTES: UNLESS OTHERWISE SPECIFIED

1. MATERIAL: 0.52MM STEEL; NICKEL PLATED.
2. RoHS COMPLIANT.
3. USE WITH AHDP SERIES SIZE 24 RECEPTACLE.
4. ALL DIMENSIONS ARE FOR REFERENCE USE ONLY.

AT14-001-2486		REF: 2414-001-2486	
PART NUMBER		DESCRIPTION	
QUANTITY	MATERIALS LIST		
UNLESS OTHERWISE SPECIFIED 1) All dimensions are in metric(mm). 2) Tolerances are as follows: 1 PL DEC ±0.30 2 PL DEC ±0.15 3 PL DEC ±0.08 Fractions ±1/64 Angles ±1° 3) Note reference =		SIGNATURES DRAWN: ORION.LI CHECKED: ORION.LI ENGINEER: APPROVAL: TOMMY.XIE CUSTOMER:	
DATE		DATE	
14SEP21		14SEP21	
14SEP21		14SEP21	
MATERIAL SPECIFICATIONS:		Amphenol Sine Systems - www.amphenol-sine.com 44724 Morley Drive Clinton Township, MI 48036	
PROCESS SPECIFICATIONS:		LOCK WASHER, SIZE 24, AHDP SERIES	
NEXT ASSY:		THIS DRAWING IS SUPPLIED FOR INFORMATION ONLY. DESIGN FEATURES, SPECIFICATIONS AND PERFORMANCE DATA SHOWN HEREON ARE THE PROPERTY OF THE AMPHENOL CORPORATION. NO RIGHTS OF REPRODUCTION ARE IMPLIED. ALL DIMENSIONS ARE SUBJECT TO NORMAL MANUFACTURING VARIATIONS.	
SIZE	TYPE	DWG NO:	REVISION
A	C-	AT14-001-2486	A2
SCALE:	NONE		SHEET 1 OF 1