

FEATURES

- Industry standard symmetrical rail – 15 mm x 5.5 mm
- Zinc-plated and clear passivated steel material
- Slotted for easy installation
- Conforms to EN50045 and DIN 46277-3 standards

RS PRO Din-Rail 2000mm x 15mm x 5.5mm

RS Stock No.: 2258306



RS Professionally Approved Products bring to you professional quality parts across all product categories. Our product range has been tested by engineers and provides a comparable quality to the leading brands without paying a premium price.

Product Description

From the trusted RS PRO brand, a selection of robust TS-15 mini DIN rails used for mounting various electrical and industrial equipment. The TS-15 rail or Miniature Top Hat as it is also known is manufactured from cold rolled steel which is then zinc coated and clear passivated. This ensures its strength and corrosion proof properties. Available in various lengths and slotted and un-slotted (perforated) profiles for easy attachment and wiring.

General Specifications

Compatibility	Mini Top Hat
DIN Rail Type	TS15 Slotted
Applications	DIN rail terminal blocks, Power supplies, Plug in relays, Timer modules, Panel meters, I/O devices, Robotics, Automation and control devices

Mechanical Specifications

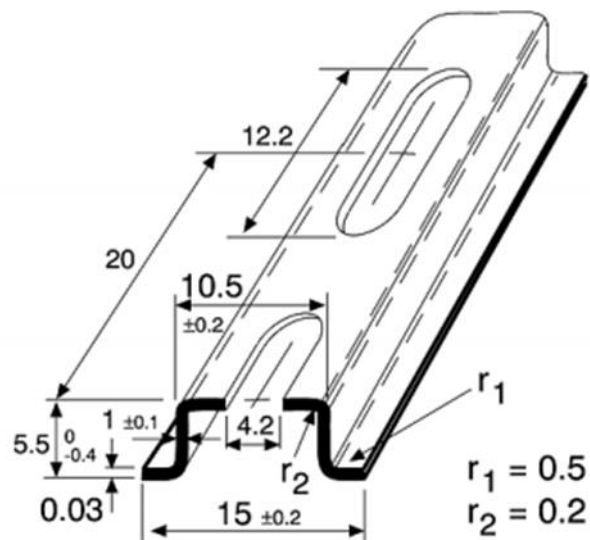
Material	Steel
Length	2000 mm
Width	15 mm
Height	5.5 mm

Approvals

Standards Met	EN50045
----------------------	---------

Similar Products

Stock No.	Brand	Product Name	Attribute 1	Attribute 2	Attribute 3
467-349	RS PRO	Slotted Din Rail, 1000mm x 15mm x 5.5mm	Zinc-plated and clear passivated steel material	Slotted for easy installation	Conforms to EN50045 and DIN 46277-3 standards



Connection Diagrams / Assembly Diagrams / Illustrations / Accessories