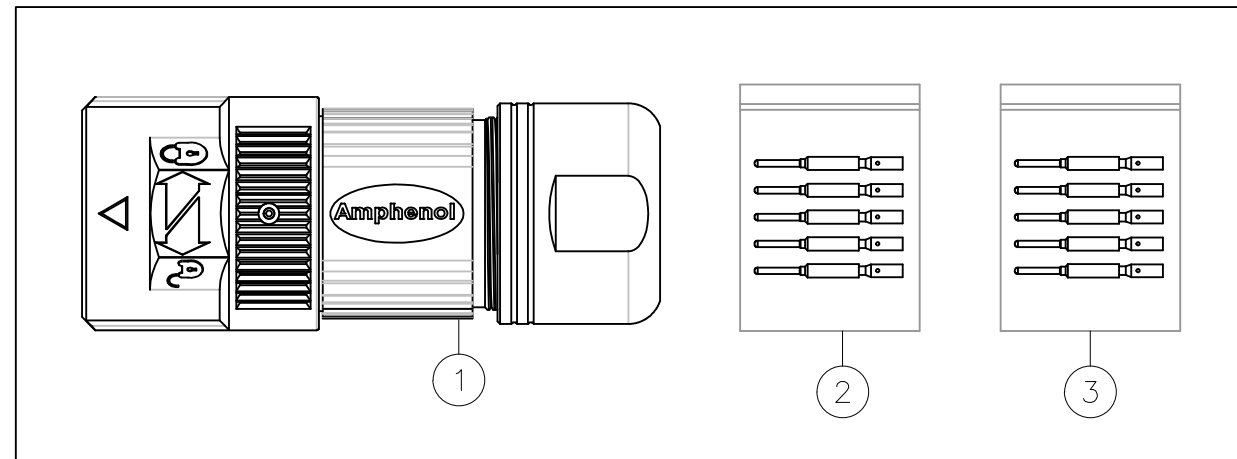
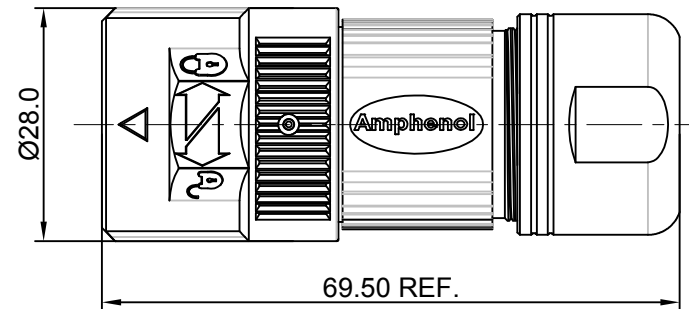
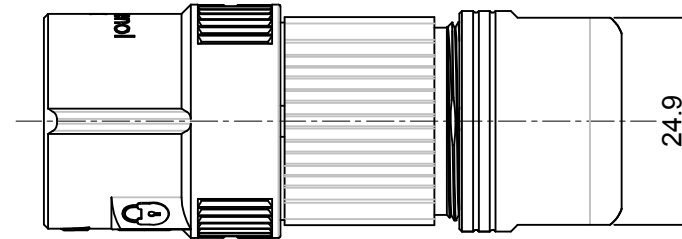
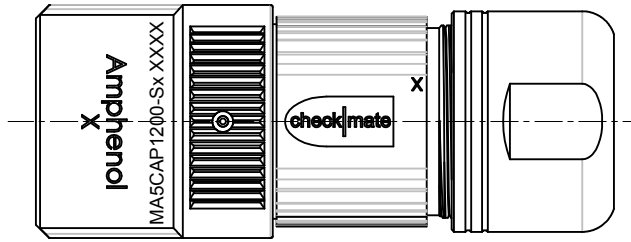
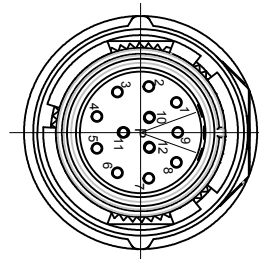


P type, Normal Key



| REVISIONS |     |               |            |       |       |
|-----------|-----|---------------|------------|-------|-------|
| REV       | ECO | DESCRIPTION   | DATE       | BY    | APPR  |
| A1        | -   | FIRST RELEASE | Nov.6,2017 | White | Tommy |

NOTES: UNLESS OTHERWISE SPECIFIED

- MATERIAL:  
 INSULATION INSERT: PA66,UL94 V0  
 SEAL: VITON, EPDM  
 HOUSING BODY: ZINC DIE CAST, NICKEL PLATED  
 COUPLING NUT: ZINC DIE CAST, NICKEL PLATED  
 CONTACT: COPPER ALLOY, GOLD PLATED
- SPECIFICATIONS:  
 2.1 CURRENT RATING: 10 AMPS  
 2.2 VOLTAGE RATING: 160 V AC/DC  
 2.3 CONTACT RESISTANCE: <5 mOHMS  
 2.4 OPERATING TEMPERATURE: -20°C TO +130°C  
 2.5 DIELECTRIC WITHSTANDING VOLTAGE: LESS THAN 2 MILLIAMPS CURRENT LEAKAGE @ 2500 VOLTS AC.  
 2.6 DEGREE OF PROTECTION: IP67 ( MATED CONDITION )  
 2.7 DEGREE OF POLLUTION: 3 PER UL840  
 2.8 OVERVOLTAGE CATEGORY: III PER UL840  
 2.9 MATING CYCLE DURABILITY: >500 CYCLES  
 2.10 RoHS COMPLIANT
- ALL DIMENSIONS ARE FOR REFERENCE USE ONLY.

| Item | Part number       | Connector P/N | Cable OD Range |
|------|-------------------|---------------|----------------|
| 1    | MA5CAP1200-S1-KIT | MA5CAP1200-S1 | 4.5~7.5 mm     |
| 2    | MA5CAP1200-S2-KIT | MA5CAP1200-S2 | 7.5~11.0 mm    |
| 3    | MA5CAP1200-S3-KIT | MA5CAP1200-S3 | 11.0~15.0 mm   |

| 12       | SC000146      | CONTACT, PIN, Ø1.0mm ,Crimp 28~24AWG | 3    |
|----------|---------------|--------------------------------------|------|
| 12       | SC000035      | CONTACT, PIN, Ø1.0mm, Crimp 22~18AWG | 2    |
| 1        | MA5CAP1200-Sx | CONNECTOR                            | 1    |
| QUANTITY | PART NUMBER   | DESCRIPTION                          | ITEM |

| UNLESS OTHERWISE SPECIFIED           |  | SIGNATURES   |       | DATE              |
|--------------------------------------|--|--|-------|-------------------|
| 1) All dimensions are in metric(mm). |  | DRAWN:   | White | Nov.6,2017        |
| 2) Tolerances are as follows:        |  | CHECKED:   | Tod   | Nov.6,2017        |
| 1 PL DEC ±0.30   Fractions ±1/64     |  | ENGINEER:  |       |                   |
| 2 PL DEC ±0.15   Angles ±1°          |  | APPROVAL:  | Tommy | Nov.6,2017        |
| 3) Note reference =                  |  | CUSTOMER:  |       |                   |
| MATERIAL SPECIFICATIONS:             |  | THIS DRAWING IS SUPPLIED FOR INFORMATION ONLY. DESIGN FEATURES, SPECIFICATIONS AND PERFORMANCE DATA SHOWN HEREON ARE THE PROPERTY OF THE AMPHENOL CORPORATION. NO RIGHTS OF REPRODUCTION ARE IMPLIED. ALL DIMENSIONS ARE SUBJECT TO NORMAL MANUFACTURING VARIATIONS. |       |                   |
| PROCESS SPECIFICATIONS:              |  | SIZE   | TYPE  | DWG NO:           |
| NEXT ASSY:                           |  | B  | C-    | MA5CAP1200-Sx-KIT |

# Amphenol

Sine Systems - www.amphenol-sine.com  
 44724 Morley Drive  
 Clinton Township, MI 48036

KIT;M23A,PLUG,STR,12P,P TYPE, CHECKMATE

|             |              |
|-------------|--------------|
| SCALE: NONE | SHEET 1 OF 1 |
|-------------|--------------|

TITLE: KIT;M23A,PLUG,STR,12P,P TYPE, CHECKMATE  
 DWG NO: MA5CAP1200-Sx-KIT  
 REV: A1  
 SH: 1  
 OF: 1