

7770

1-Gang, 2.15 Inch Dia. Cover Plate for 50A Single Receptacles, Cast Aluminum, Weather-Resistant, FS Box Mount, Vertical Self Closing Lid - GRAY



UPC Code : 078477822586

Country Of Origin : China

RoHS Compliant : Yes

Technical Information

Product Features

Color : Gray

Construction : Metal

Device Type : Locking Receptacles

Feature : Self Closing Lid

Gang : 1

Material : Powder Coat Cast Aluminum

Mount : FS Box

Mounting Screws : Stainless Steel

Orientation : Vertical

Torsion Spring Mechanism : Stainless Steel

Type : Weather-Resistant

Warranty : 5-Year Limited

Material Specifications

Color : Gray

Feature : Self Closing Lid

Gang : 1

Material : Powder Coat Cast Aluminum

Mount : FS Box

Mounting Screws : Stainless Steel

Orientation : Vertical

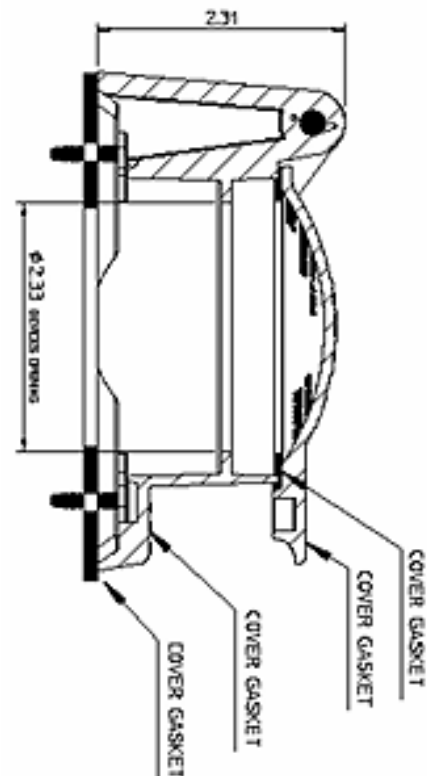
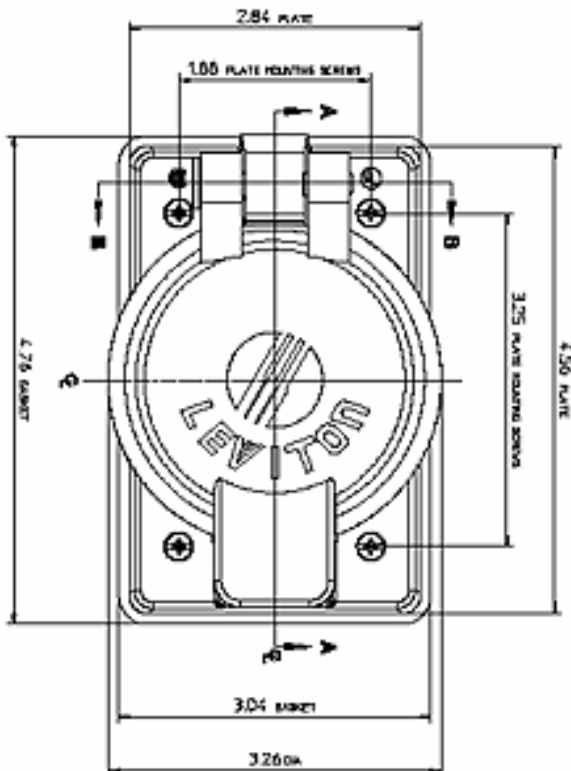
Torsion Spring Mechanism : Stainless Steel

Type : Weather-Resistant

Warranty : 5-Year Limited

Warranty

Warranty : 5-Year Limited



SPECIFICATION SUBMITTAL

JOB NAME: <input type="text"/>	CATALOG NUMBERS: <input type="text"/>	
JOB NUMBER: <input type="text"/>	<input type="text"/>	<input type="text"/>

Leviton Manufacturing Co., Inc.

201 North Service Road, Melville, NY 11747

Telephone: +1-800-323-8920 · FAX: +1-800-832-9538 · Tech Line (8:30AM-7:30PM E.S.T. Monday-Friday):

+1-800-824-3005

Leviton Manufacturing of Canada, Ltd.

165 Hymus Boulevard, Pointe Claire, Quebec H9R 1E9 · Telephone: +1-800-469-7890 ·

FAX: +1-800-824-3005 · www.leviton.com/canada

Leviton S. de R.L. de C.V.

Lago Tana 43, Mexico DF, Mexico CP 11290 · Tel.: (+52)55-5082-1040 · FAX: (+52)5386-

1797 · www.leviton.com.mx

Visit our Website at: www.leviton.com

© 2021 Leviton Manufacturing Co., Inc. All Rights Reserved. Subject to change without notice.

Leviton has a global presence.

If you would like to know where your local Leviton office is located please go to:

www.leviton.com/international/contacts/

