

## MS303-DSW

30 Amp, 600 Volt, 3-Pole, Three-Phase Single Throw AC Manual Motor Controller, Suitable as Motor Disconnect, Standard Toggle, Industrial Grade, Non-Grounding, Back & Side Wiring - White



UPC Code : 078477983720

Country Of Origin : Mexico

RoHS Compliant : Yes

Available Colors :



Powerswitch® Industrial Grade AC Manual Motor Controllers provide safe, reliable control of a variety of motor loads. Typical applications include manual ON/OFF switching control of conveyor systems, pumping machines, HVAC systems, air compressors and other heavy manufacturing equipment. These motor controllers are available for both single-phase and three-phase applications

### Technical Information

#### AC Horsepower Ratings

**HP Rating** : 3HP-120V, 7.5HP-240V, 15HP-480V, 20HP-600V

#### Electrical Specifications

**Amperage** : 30 A

**Dielectric Voltage** : Withstands 2200 VAC for 1 min.

**Endurance** : 6,000 cycles inductive motor type load

**Grounding** : Non-Grounding

**Overload UL20 Test** : 50 cycles at 6 times full rated current

**Pole** : 3

**Short Circuit Current Rating** : 10,000 RMS symmetrical amps at 600V AC max. when protected by a 30A time delay fuse

**Temperature Rise** : 50°C Max at full rated current

**Voltage** : 600 VAC

#### Environmental Specifications

**Flammability** : Rated V-0 per UL 94

**Operating Temperature** : -40°C to 60°C

#### Material Specifications

**Base Material** : Thermoplastic Polyester

**Contacts** : Silver-Alloy

**Cover Material** : Thermoplastic Polyester

**Strap Material** : Nickel-Plated Brass

**Terminal Screws** : Nickel-Plated Brass 10-32, Triple Combination

**Toggle** : Thermoplastic Polyester

#### Mechanical Specifications

**Product ID** : Ratings are permanently marked on device

**Terminal Accom.** : #10 - #8 AWG

**Terminal ID** : T1, T2, T3, L1, L2 & L3 marked on back of device

**Termination** : Back & Side

**Torque Range** : 20 inch pounds maximum

#### Product Features

**Color** : White

**Device Type** : Toggle Switch

#### Standards and Certifications

**ANSI** : C-73

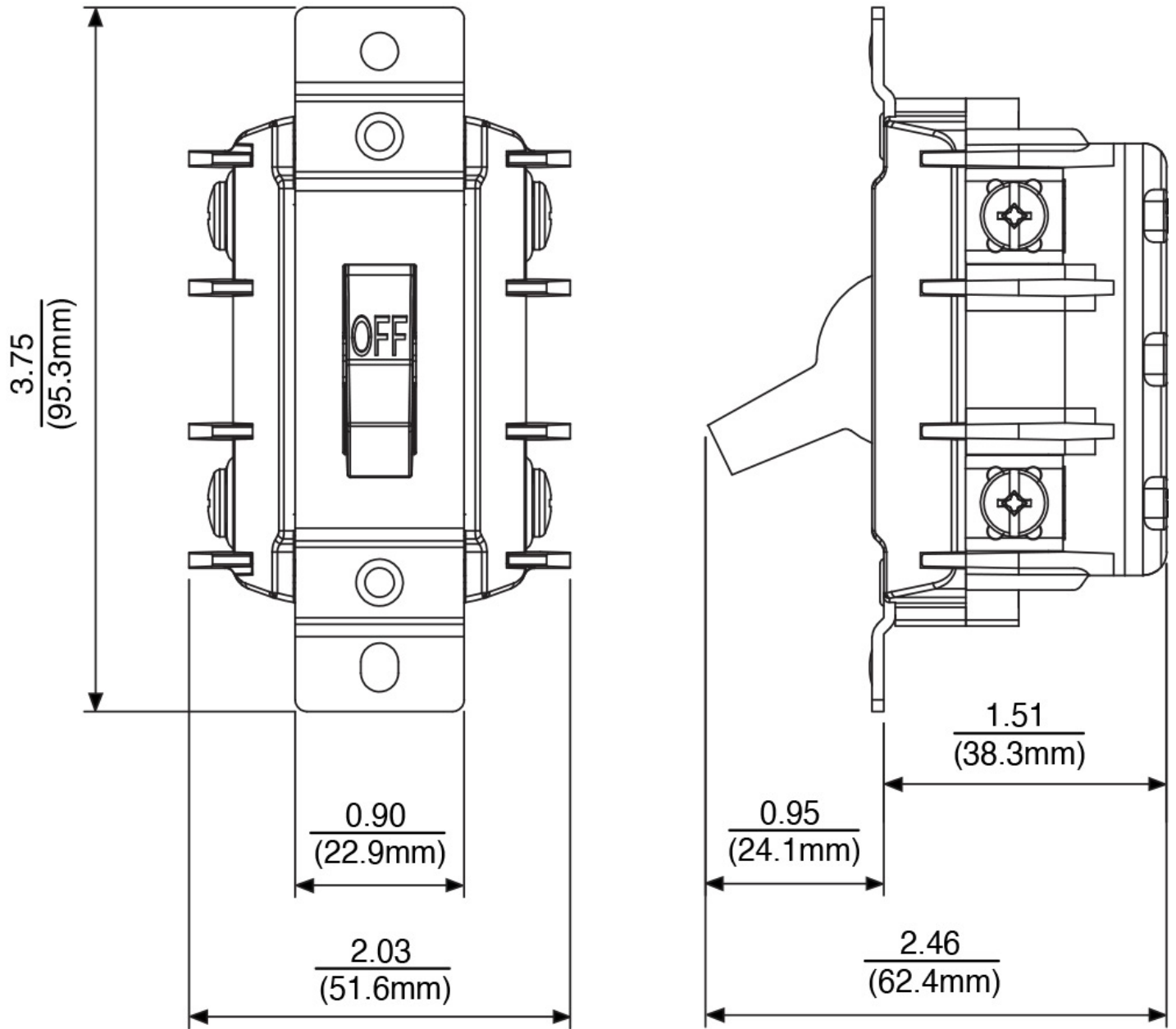
**NEMA** : WD-1 & WD-6

**NOM** : NOM-ANCE

**UL 60947-4-1** : supersedes UL 508

**Warranty** : 10-Year Limited

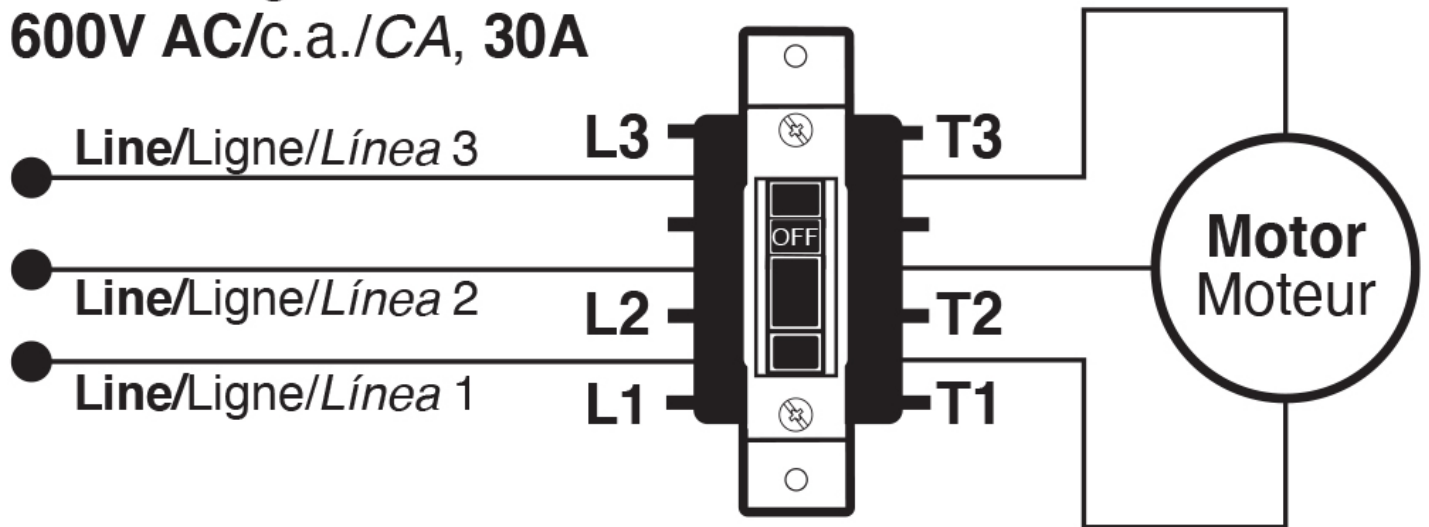
**cUL per CSA C22.2 No. 111** : File #E63969



MS302-DS Shown (Dimensions same for MS302-DSW, MS303-DS, MS303-DSW)

# Wiring Diagram 3-Pole

**Line/Ligne/Línea**  
**600V AC/c.a./CA, 30A**



## SPECIFICATION SUBMITTAL

JOB NAME: <input type="text"/>	CATALOG NUMBERS: <input type="text"/>	
JOB NUMBER: <input type="text"/>	<input type="text"/>	<input type="text"/>

**Leviton Manufacturing Co., Inc.**

201 North Service Road, Melville, NY 11747

Telephone: +1-800-323-8920 · FAX: +1-800-832-9538 · Tech Line (8:30AM-7:30PM E.S.T. Monday-Friday):  
+1-800-824-3005

**Leviton Manufacturing of Canada, Ltd.**

165 Hymus Boulevard, Pointe Claire, Quebec H9R 1E9 · Telephone: +1-800-469-7890 ·  
FAX: +1-800-824-3005 · [www.leviton.com/canada](http://www.leviton.com/canada)

**Leviton S. de R.L. de C.V.**

Lago Tana 43, Mexico DF, Mexico CP 11290 · Tel.: (+52)55-5082-1040 · FAX: (+52)5386-  
1797 · [www.leviton.com.mx](http://www.leviton.com.mx)

**Visit our Website at: [www.leviton.com](http://www.leviton.com)**

© 2021 Leviton Manufacturing Co., Inc. All Rights Reserved. Subject to change without notice.

**Leviton has a global presence.**

If you would like to know where your local Leviton office is located please go to:  
[www.leviton.com/international/contacts/](http://www.leviton.com/international/contacts/)

