

# 23452-H

Snap-In Lamp Support Clip for Horizontal Mount 2G11 Base Twin Tube Fluorescent Lampholder



UPC Code : 078477153031  
 Country Of Origin : Mexico  
 RoHS Compliant : Yes

### Technical Information

Product Features

**Availability :** Distribution

**Body Material :** Polycarbonate

**Color :** Clear

**Feature :** Lamp Support Clip

**Lamp Base :** 2G11

**Lamp Contacts :** 4-Pin

**Lampholder Type :** Compact

**Light Type :** Fluorescent

**Mounting Orientation :** Horizontal

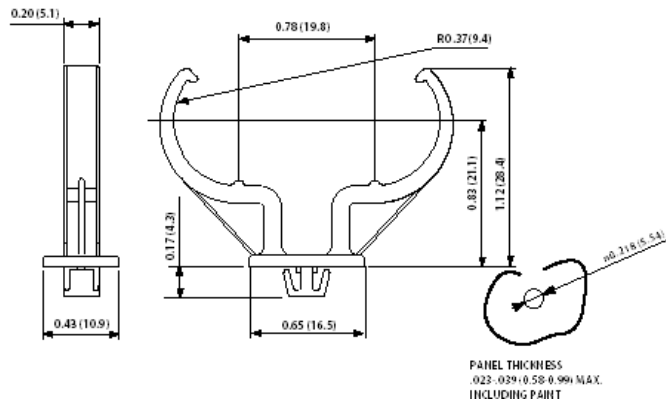
**Mounting Type :** Snap-In

**Warranty :** 1 Year Limited

Mechanical Specifications

**Mounting Orientation :** Horizontal

**Mounting Type :** Snap-In



### SPECIFICATION SUBMITTAL

JOB NAME:	CATALOG NUMBERS:	
<input type="text"/>	<input type="text"/>	<input type="text"/>
JOB NUMBER:	<input type="text"/>	<input type="text"/>

**Leviton Manufacturing Co., Inc.**

201 North Service Road, Melville, NY 11747

Telephone: +1-800-323-8920 · FAX: +1-800-832-9538 · Tech Line (8:30AM-7:30PM E.S.T. Monday-Friday):  
+1-800-824-3005

**Leviton Manufacturing of Canada, Ltd.**

165 Hymus Boulevard, Pointe Claire, Quebec H9R 1E9 · Telephone: +1-800-469-7890 ·

FAX: +1-800-824-3005 · [www.leviton.com/canada](http://www.leviton.com/canada)

**Leviton S. de R.L. de C.V.**

Lago Tana 43, Mexico DF, Mexico CP 11290 · Tel.: (+52)55-5082-1040 · FAX: (+52)5386-  
1797 · [www.leviton.com.mx](http://www.leviton.com.mx)

**Visit our Website at: [www.leviton.com](http://www.leviton.com)**

© 2021 Leviton Manufacturing Co., Inc. All Rights Reserved. Subject to change without notice.

**Leviton has a global presence.**

If you would like to know where your local Leviton office is located please go to:

[www.leviton.com/international/contacts/](http://www.leviton.com/international/contacts/)

