

7H Series Panel Heaters



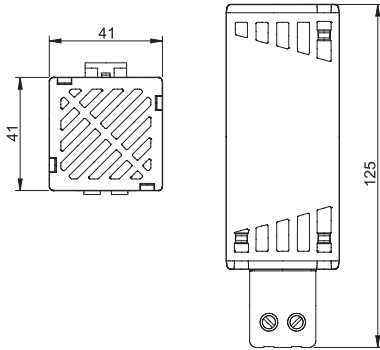
New panel heaters

Provides optimum temperatures and prevents condensation forming within electrical enclosures.

- Heater power: 25 - 50 - 100 - 150 - 250 and 400 W
- Power supply: 110...230 V AC/DC and 120 or 230 V AC
- PTC self-regulating heating system
- Fan assisted version available
- Aluminium profile encased in a plastic housing
- Vertical positioning
- 35 mm rail (EN 60715) mounting with clip

Approvals





Type 7H.51.0.230.0025
Heating power 25 W

Type 7H.51.0.230.0050
Heating power 50 W

- Power supply voltage 110...230 V AC/DC
- PTC self-regulating heating system
- Aluminium profile encased in a plastic housing
- Operating temperature range: -45...+50°C
- Screw terminals

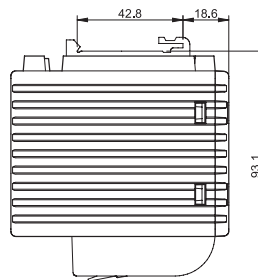
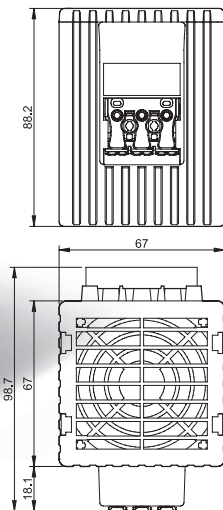
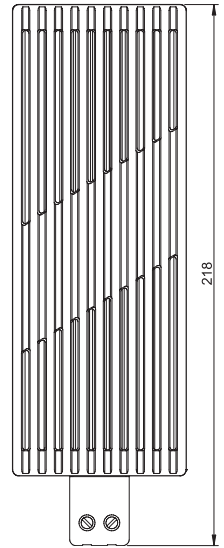
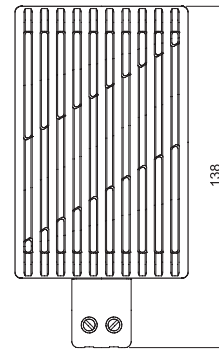
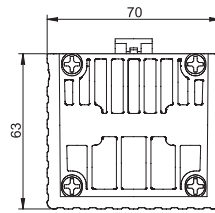


Type 7H.51.0.230.0100
Heating power 100 W



Type 7H.51.0.230.0150
Heating power 150 W

- Power supply voltage 110...230 V AC/DC
- PTC self-regulating heating system
- Aluminium profile encased in a plastic housing
- Operating temperature range: -45...+50°C
- Screw terminals



Type 7H.51.8.110.0250
Type 7H.51.8.230.0250
Heating power 250 W

Type 7H.51.8.110.0400
Type 7H.51.8.230.0400
Heating power 400 W

- Power supply voltage 120 or 230 V AC
- Fan assisted heaters
- PTC self-regulating heating system
- Aluminium profile encased in a plastic housing
- Air flow rate 18 cfm (30m³/h)
- Operating temperature range: -40...+50°C
- Fast wiring terminals