

KombiSIGN 70 / Accessories

## Tube with clamp BK



**Part No.:** 960.000.18

### MECHANICAL DATA

Length	39 mm
Width	78 mm
Height	278 mm
Diameter	25 mm
Materials	PA
Housing colour	Black
Weight with packaging	175 g
Product weight	175 g

### APPROVAL DATA

WEEE	No
Conforms with RED directive	No
Conform with ATEX-directive	No
Conforms with CCC	No
Conforms with UL	No
Conforms with FCC	No
Conforms with IC	No
EAC certificate available	No
Conforms with AS-I	No
ICAO Certification	No
Conforms with DNV	No
Conforms with RoHS CN	No

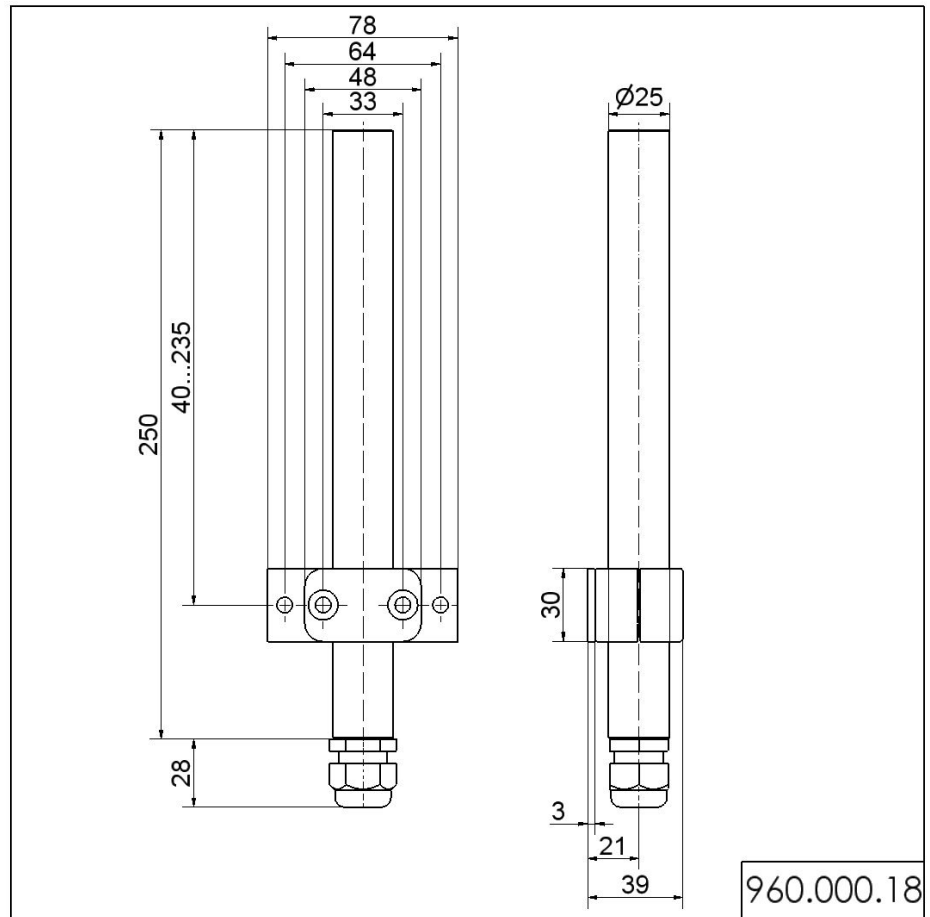


For additional installation and mounting information, refer to the appropriate user guide at [www.werma.com](http://www.werma.com). This printed copy is for information only and is subject to alteration.

KombiSIGN 70 / Accessories

**Tube with clamp BK**

**DRAWING**



! For additional installation and mounting information, refer to the appropriate user guide at [www.werma.com](http://www.werma.com). This printed copy is for information only and is subject to alteration.