

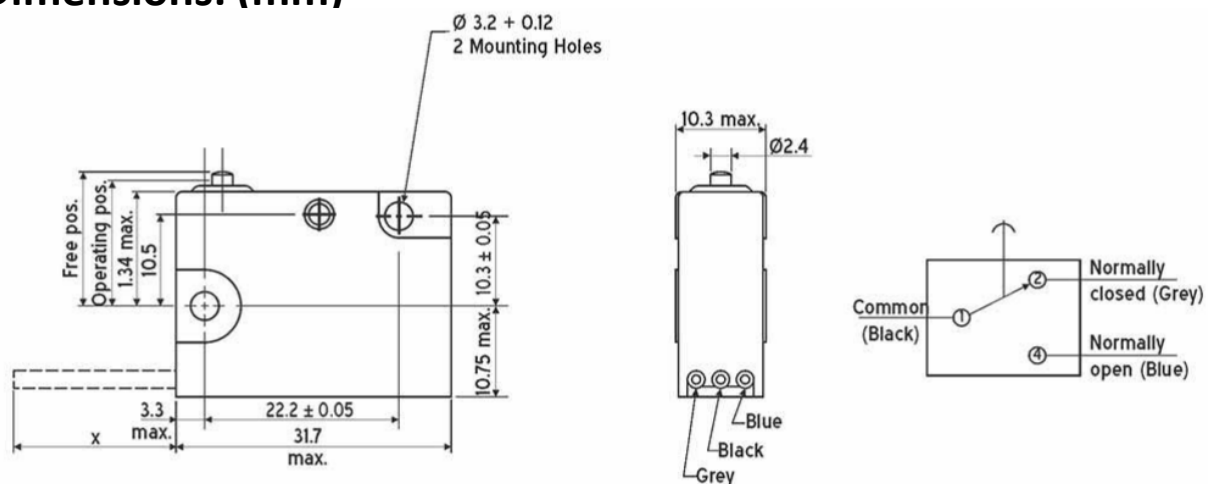
Datasheet

SP-CO Short Roller Lever Microswitch, 5 A@ 250 V ac

RS Stock 797-2549



Dimensions: (mm)



- Single pole change over , snap-acting switches
- Fine silver contacts
- Snap action mechanism
- Glass fibre reinforced nylon enclosure, duly sealed, conforming to IP67 protection
- Option for side panel or mounting.
- Provided with silicon rubber cowl
- Frame and plunger are of zinc plated steel
- Pre wired with 3 Nos. PVC wires of length 0.50 meter each
- Conform to IEC 1058-1



ENGLISH

Specifications

Characteristics	
Actuating force	390 gms. (max)
Release force	110 gms. (min)
Pre-travel	0.4 mm. (max)
Over-travel	Depress to case
Operating position	22.1 ₋ 1.0mm (max)
Dimensions details	31.7 x 24.2 x 10.5 mm
Mounting	Side
Wires length	0.5 meter