

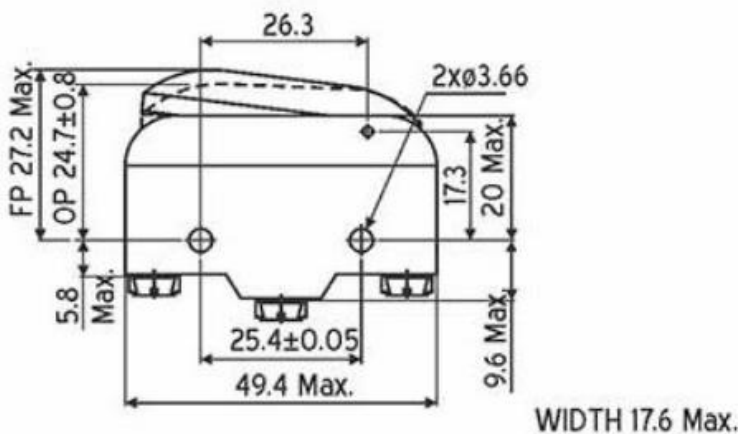
## Datasheet

### SP-CO Lever Microswitch, 0.03 A@ 250 V dc, 0.25 A@ 250 V dc, 15 A@ 440 V ac, 4 A@ 440 V ac

RS Stock 797-2520



### Dimensions: (mm)



- Single pole change over , snap-acting switches
- Fine silver contacts
- Beryllium copper trident spring operating mechanism
- Easy wire-up screw and cup-washer terminals characterised by extended creepage distance between terminals.
- Conform to IEC 1058-1 standard



## Specifications

Characteristics	
Actuating force	185 gms. (max)
Release force	35 gms. (min)
Pre-travel	2.5 mm. (max)
Over-travel	2.0 mm.
Movement differential	1.5 mm. (max)
Salient features	Mirco switch with plastic lever

Technical Characteristics	
Contact resistance	10 milliohms (max)
Insulation resistance	1000 megaohms (min)
Voltage proof	1 KV AC for one minute
Terminals	M 3.5 screw cup washer
Electrical life	50,000 operations
Mechanical life	1 million operations

Electrical Ratings	
Load	Rating
AC (resistive)	15 A at 125V or 15A at 250V or 15 A at 440V
AC (inductive)	15 A at 125V or 15A at 250V or 4 A at 440V
DC (resistance)	0.5 A at 125V or 0.25 A at 250V
DC (inductive)	0.05 A at 125V or 0.03 A at 250V