

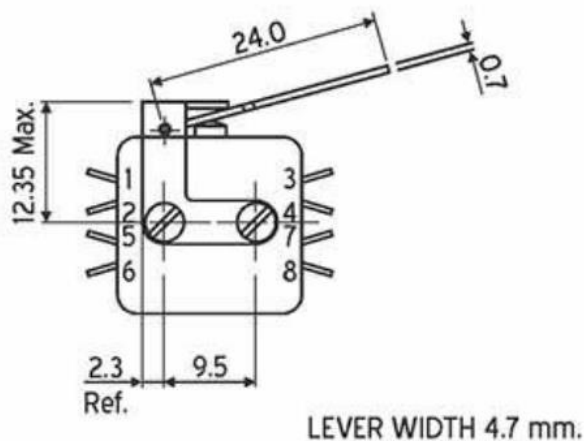
## Datasheet

### DP Lever Microswitch, 0.5 A@ 125 V dc, 1.5 A@ 125 V dc, 10 A@ 125 V ac, 15 A@ 125 V ac

RS Stock 797-2555



#### Dimensions: (mm)



- Single pole change over , snap-acting switches
- 4 circuit, double pole, double – break
- Snap action through spring controlled pivoted contact carrying arms
- 2 NO + 2 NC contacts
- Long mechanical & electrical life
- Silver or Gold plated solder terminals
- Conform to IEC 1058-1



ENGLISH

## Specifications

Characteristics	
Actuating force	100 gms. (max)
Release force	15 gms. (min)
Movement differential Pre-travel	7.0 mm (min)
Movement differential	2.8 mm. (max)
Auxiliary actuator which may be used with MV1 switch. It is a plain lever actuator of 24mm. Lever ratio 5:1	