

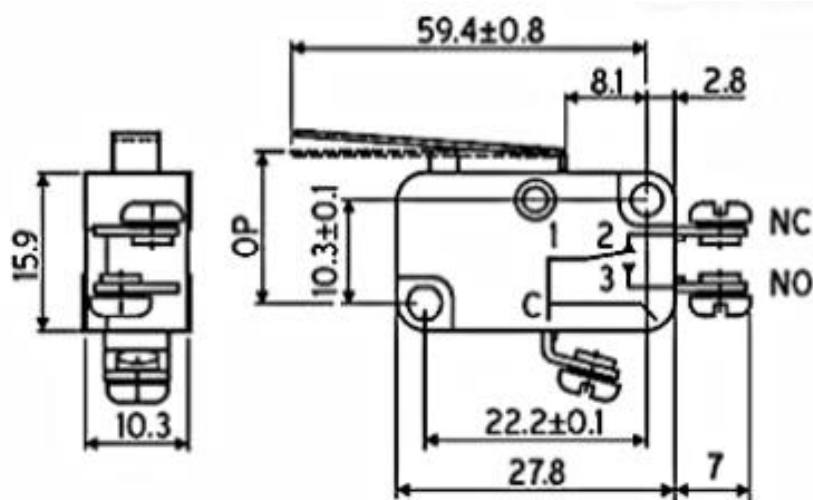
Datasheet

SPDT Long Straight Lever Microswitch, 0.1 A@ 110 V dc, 0.6 A@ 110 V dc, 16 A@ 250 V ac

RS Stock 804-6256



Dimensions: (mm)



ELECTRICAL RATING

| LOAD | RATINGS (for micro switch with 400/200 gms. actuating force) |
|----------------|--|
| AC | 16 Amp at 250V 5 Amp at 440V |
| DC (Resistive) | 0.6 Amp at 110V 0.3 Amp at 220V |
| DC (Inductive) | 0.1 Amp at 110V 0.05 Amp at 220V |

| | |
|-----------------------|---|
| Voltage proof | 1500 VAC between each terminal and 1000VAC between open contacts |
| Contact resistance | 15 milliohms max. (initial) |
| Insulation resistance | 100Mohms min. at 500VDC |
| Electrical life | 100,000 operations at rated load |
| Mechanical life | 10,000,000 operations |

ENVIRONMENTAL

Temperature -55°C to +85°C

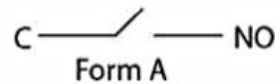
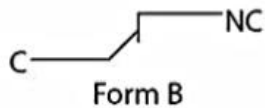
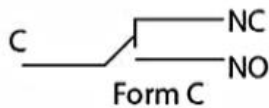
APPLICATIONS :

Automotive, Machine control, Telecommunication equipments, Vending equipments, Security Products, Defence, Business automation machines, Instruments

- Note :** (i) For 100 gms. actuating force rated current is 10 A at 250V AC
For 50 gms. actuating force rated current is 6 A at 250V AC
(ii) Knob Colour : Black - 400 gms., Red - 200 gms., Green - 100 gms., Yellow - 50 gms.
(iii) OF : Operating force FP : Free position OP : Operating position
RF : Release force MD : Movement differential
OT : Over travel PT : Pre travel

| | |
|-------------------------|----------------|
| Pretravel (PT) | 9.0 mm. (max.) |
| Overtravel | 2.0 mm. |
| Movement differential | 2.8 mm. (max.) |
| Operating position (OP) | 15.2±2.6 mm. |

CIRCUIT FORM



All dimensions are in mm.

Due to continuous improvement in products, we reserve the right to alter specifications without prior notice