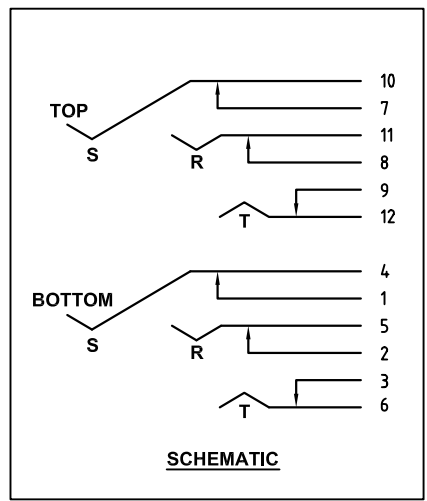
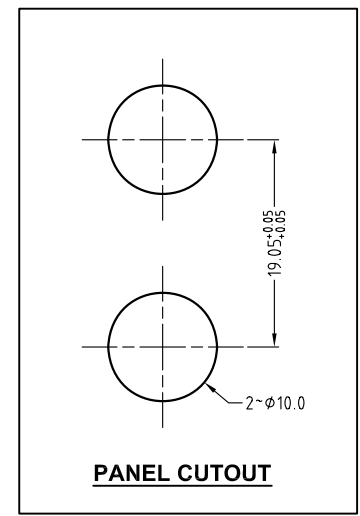


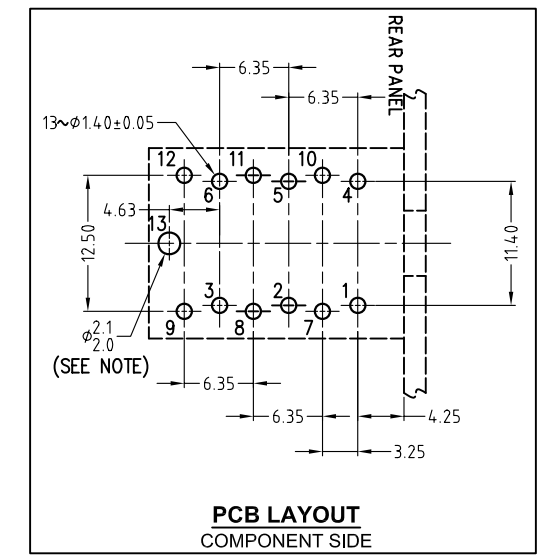
ISO VIEW
SCALE 1:1



SCHEMATIC



PANEL CUTOUT



PCB LAYOUT
COMPONENT SIDE

NOTE: OPTIONAL MOUNTING HOLE FOR SELF-TAPPING M2 SCREW

CATALOGUE P/N	NUT OPTION
ACJS-LHDM	NO NUT & WASHER
ACJS-MHDM	METAL NUT & WASHER INCLUDED

UNLESS OTHERWISE SPECIFIED TOLERANCE TO BE	THIS DOCUMENT IS THE PROPERTY OF AMPHENOL AUSTRALIA PTY. LTD. NO PART THEREOF MAY BE REPRODUCED AND USED WITHOUT THE PRIOR WRITTEN CONSENT OF THE OWNER				0	FIRST ISSUE	M.H	05-03-10	----	
	LINEAR	ANGULAR	CAD FILE: 55010659000120	DRN: M.H	DATE: 05-03-10	REV.	CHANGE DETAILS	BY	DATE	CHG/No
X ± 0.5	X° ± 1°	MATL: REFER TO COMPONENT	CKD: M.H	DATE: 05-03-10	TITLE: 1/4" PHONE STEREO DUAL JACK CUSTOMER DRAWING		Amphenol			
X.X ± 0.2	X°X' ± 30'	BREAK ALL SHARP EDGES AND REMOVE ALL BURRS	FINISH: REFER TO COMPONENT	APP'D: P.M	DATE: 05-03-10	DRAWING No.		Amphenol Australia Pty.Ltd, 2 Fireweys Blvd, Keysborough, Vic3173		
X.XX ± 0.1	X°X'X" ± 15"	DO NOT SCALE	DIMENSIONS IN MILLIMETRES	THIRD ANGLE PROJECTION	SCALE: 2:1 UOS	PART No:	SEE TABLE	SIZE: A3	55010659-000-2	SHEET 2 OF 2