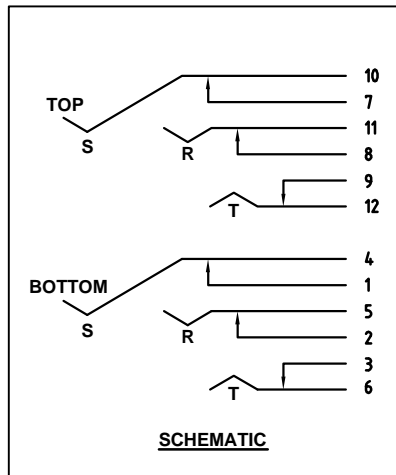
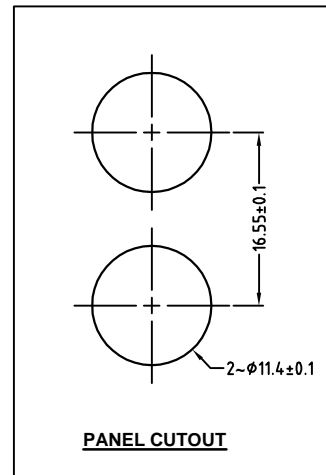


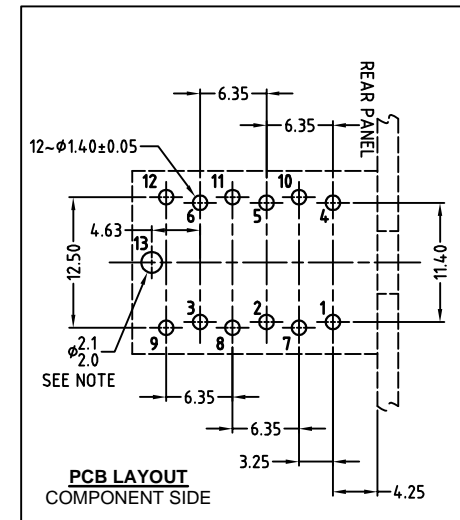
ISO VIEW
SCALE 1:1



SCHEMATIC



PANEL CUTOUT



PCB LAYOUT
COMPONENT SIDE

NOTE: OPTIONAL MOUNTING HOLE FOR SELF-TAPPING M2 SCREW

UNLESS OTHERWISE SPECIFIED TOLERANCE TO BE	THIS DOCUMENT IS THE PROPERTY OF AMPHENOL AUSTRALIA PTY. LTD. NO PART THEREOF MAY BE REPRODUCED AND USED WITHOUT THE PRIOR WRITTEN CONSENT OF THE OWNER			0	FIRST ISSUE	M.H	02-05-07	----
	LINEAR	ANGULAR		REV.	CHANGE DETAILS	BY	DATE	CHG/No
X ± .5	X° ± 1°		CAD FILE: 55010377002120	DRN: M.H	DATE: 02-05-07	TITLE: 1/4 PHONE STEREO DUAL JACK COMPACT CUSTOMER DWG		
X.X ± 0.1	X°X' ± 30'		MATL: REFER TO COMPONENT	CKD: M.N.H	DATE: 02-05-07	Amphenol Australia Pty Ltd, 2 Fineways Blvd, Keysborough, Vic 3173		
X.XX ± 0.05	X°X'X" ± 15'		DO NOT SCALE	FINISH: REFER TO COMPONENT	APP'D: P.M	DATE: 02-05-07	DRAWING NO. SHEET	
DIMENSIONS IN MILLIMETRES			THIRD ANGLE PROJECTION	SCALE: 2:1 UOS	PART No: ACJS-MHDC	SIZE: A3	55010377-001-2 2 OF 2	