

SIDE VIEW FOR EACH VERSION

COMMON QUOTES FOR ALL VERSION

MATERIAL :

- SHELL : PA UL94 V0, UL746C F1 Black color
- INSERT (UTSX0-----) : PA UL94 V0, UL746C F1 Black color
- INSERT (UTSX0--D/E---) : Polychloroprene UL94 HB
- CONTACTS: brass + coated depending on P/N

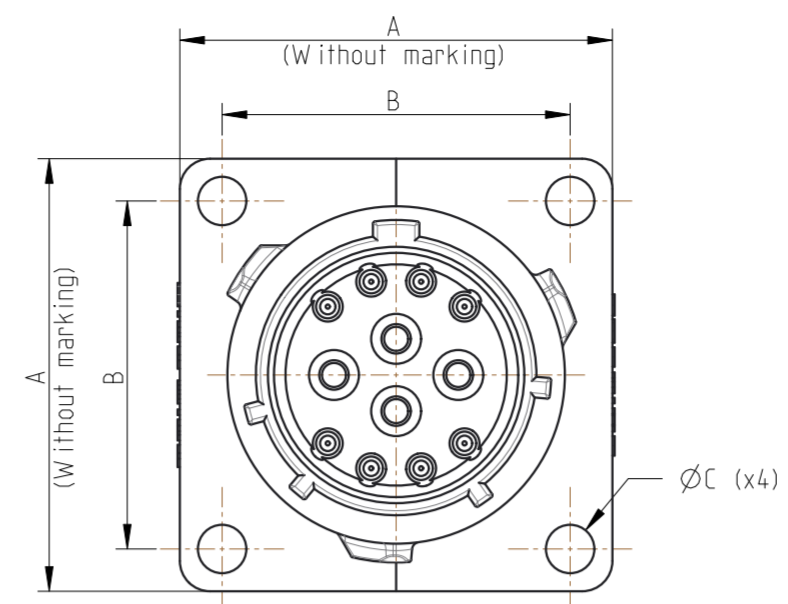
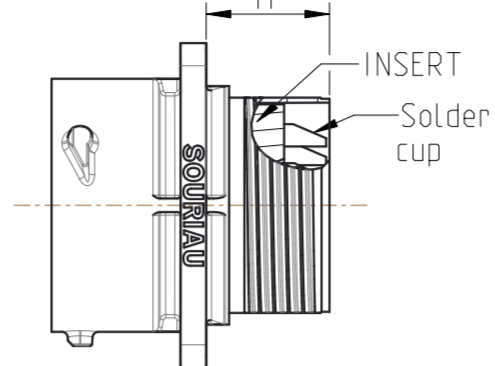
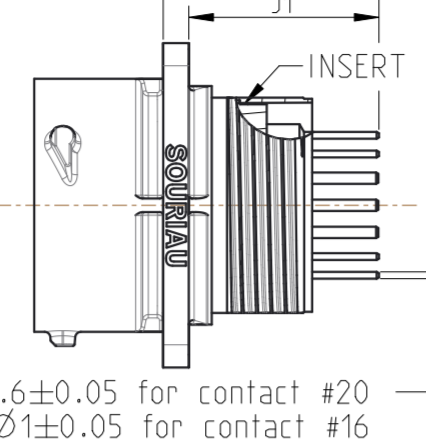
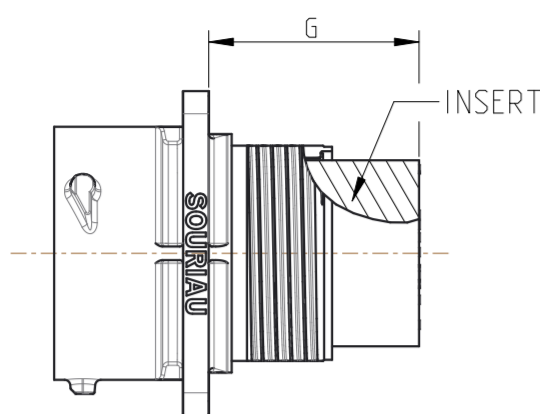
PERFORMANCE CHARACTERISTICS :

Operating temperature: -40°C up to 105°C
 Insulation resistance: 5000 MΩmin under 500V
 Corrosion salt spray: 500 hours
 Durability: 250 matings and unmatings
 Sealing conditions: SEE TABLE

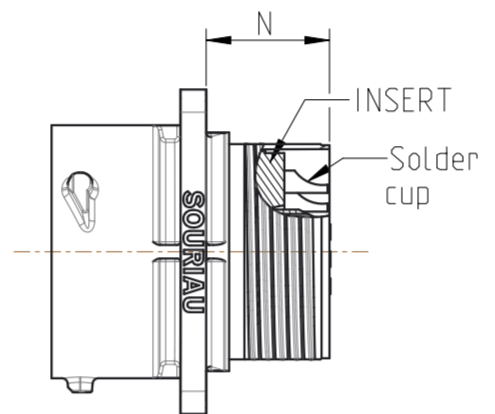
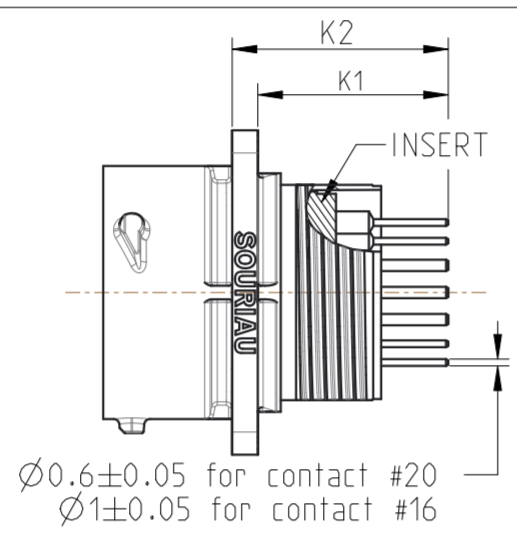
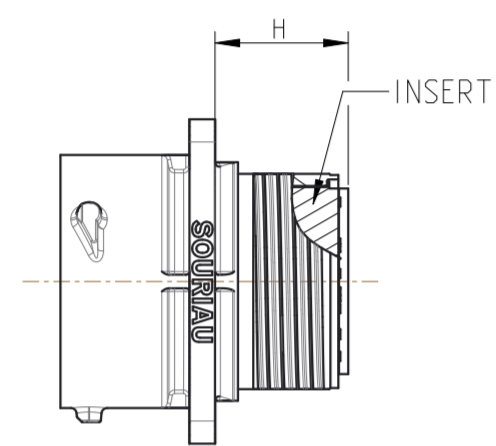
NOTA:

- 1- Contact to be ordered separately for version UTSX0----- : refer to corresponding catalogue.
- 2- Insert arrangement refer to:
 UTX_LAYOUT (Standard Version)
 UTX-HS_LAYOUT (HiSeal Version)
- 3- Gasket to be ordered separately for version UTSX0----- : refer to corresponding catalogue.
- 4- In rear mount : Color coding ring is impossible

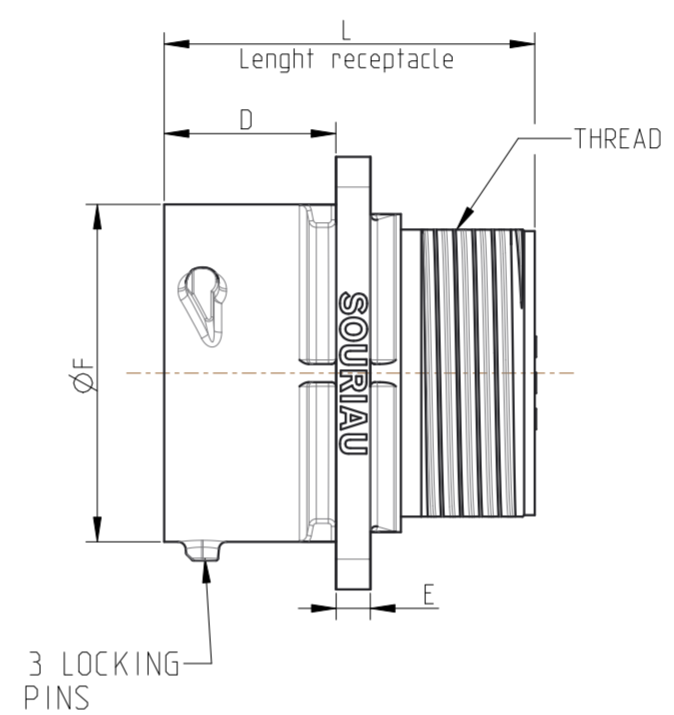
UTSX0-----P



UTSX0-----S



SHELL RECEPTACLE



SCALE 2/1

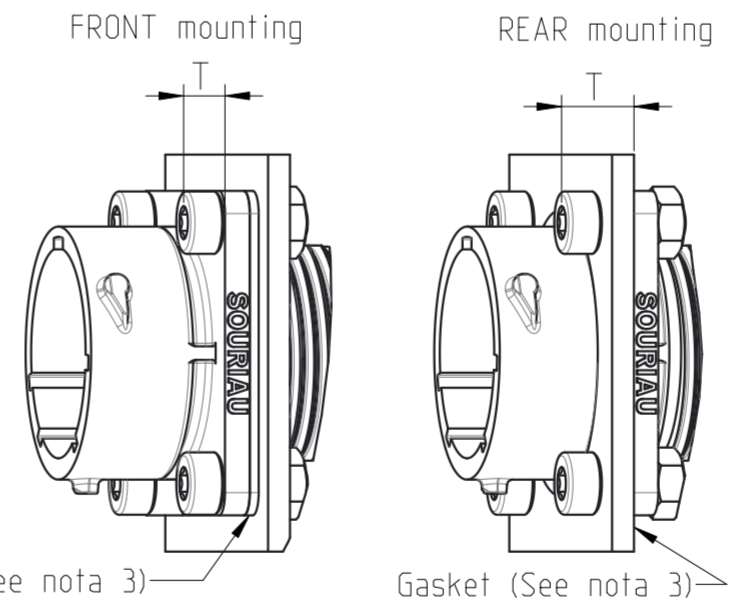
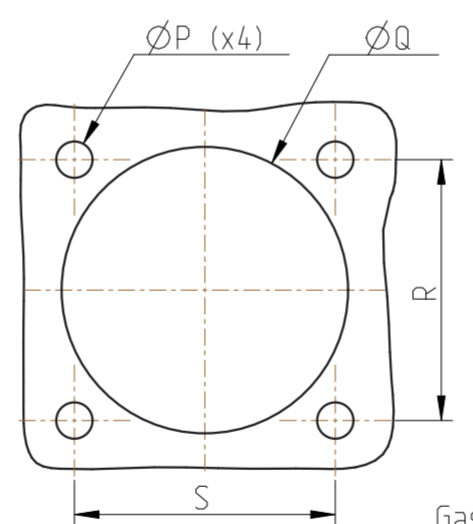
SEALING CONDITIONS

Sealing in MATED conditions with COUNTERPART:
 -IP6x : No ingress of dust
 -IPx8 1 bar during 1 week: immersion under 10 m of water.
 -IPx9K : exposure to high pressure water of cleaning equipement (IEC 60529)

Sealing in MATED conditions with COUNTERPART and UNMATED conditions:
 -IP6x : No ingress of dust
 -IPx8 1 bar during 1 week: immersion under 10 m of water.
 -IPx9K : exposure to high pressure water of cleaning equipement (IEC 60529)

PANEL CUT OUT DEFINITION

SHELL SIZE	±0.1	PANEL CUT OUT DEFINITION		±0.15		REAR mounting (See nota 4)	FRONT mounting
		REAR mounting	FRONT mounting	Screw head thickness + panel thickness	Screw head thickness		
10	3.2	17.9	15.2	18.3	18.3	MAX 2.8	
12	3.2	22.3	18.3	20.6	20.6		
14	3.2	25.1	21.5	23.0	23.0		



Country	Jurisdiction & Control List
FR	NOT LISTED

SOURIAU shall not be liable for any non-conformity or damage due to a use of the Products which does not comply with the Specifications issued by either of the Parties or by a third party (Professional recommendation, technical notice.)

P/N : CROSS REF TABLE	
BASIC SERIES	UTSX 0 14 D 19 P -
SHELL TYPE	0 Square flange receptacle
SHELL SIZE	10 12 14
TYPE OF LAYOUT	Standard layout (No digit) D : HISEAL Dispolder contacts E : HISEAL Handsolder contacts
INSERT ARRANGEMENT	See NOTA 2
ORIENTATIONS	Normal (no digit) W.X.Y.Z
TYPE OF CONTACTS	P: MALE S: FEMALE

B	15/09/2021	Mass column deleted / nota 4 added / Panel cut out definition board modified	25782C
ISS	DATE	Latest modification - by: Q.LECOMTE	MOD N°

Designed by: J.GAMBIER Date: 10/07/2020 CUSTOMER DRAWING

TITLE SQUARE FLANGE RECEPTACLE TO - SIZE 10 12 14 - Standard and Hiseal version UTSX CONNECTOR

Scale 1/1 Dimensions in mm General Linear Tolerances: ±0.2 NPRDS / PROJECT GBB

FATON Powering Business Worldwide www.souriau.com This document is the property of SOURIAU It must not be reproduced or communicated without permission

FORMAT A2 SOURIAU DRG N° UTSX-0001A-C SHEET 1 / 1

SHELL SIZE	±0.4	±0.2	±0.1	±0.2	±0.2	±0.2	MAX	MIN / MAX				MAX			THREAD CLASS 2A	
	A	B	ØC	D	E	ØF		G	H	J1	J2	K1	K2	L		M
10	23.8	18.26	3.2	11.35	2.3	15.2	19.5	12.1	15.8 / 17.7	18.1 / 20	15.8 / 17.7	18.1 / 20	32.3	11.5	11.5	9/16-24 UNEF
12	26.2	20.62				19.15			*	*	*	*				11/16-24 UNEF
14	28.6	23.01				22.31			*	*	*	*				13/16-20 UNEF

* -1mm FOR LAYOUT 12D14