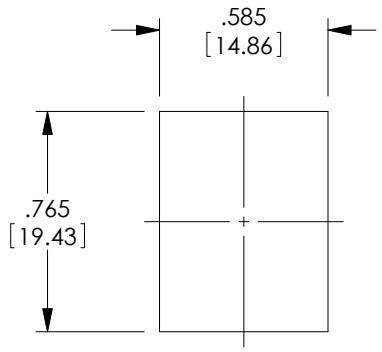


THE INFORMATION CONTAINED IN THIS DRAWING IS THE SOLE PROPERTY OF L-COM, INC. ANY REPRODUCTION IN PART OR WHOLE WITHOUT THE WRITTEN PERMISSION OF L-COM, INC. IS PROHIBITED.

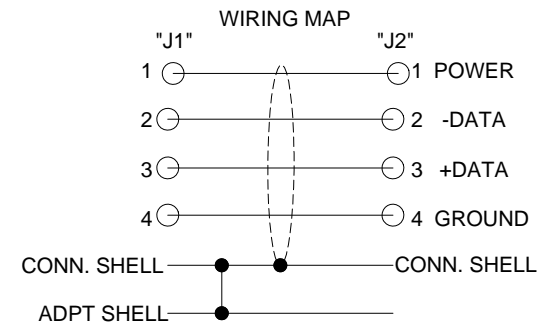
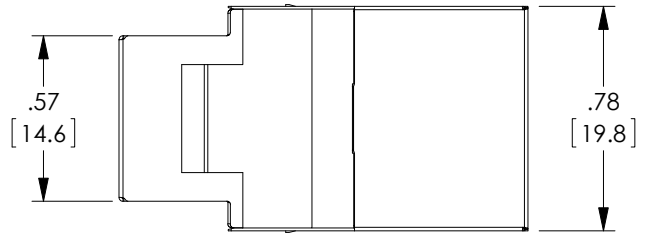
REVISIONS			
REV	DESCRIPTION	DATE	APPROVED
A	RELEASED	09/01/09	DFP
B	ECN4728: .31 WAS .32, .070 WAS .06	05/06/10	DFP
C	ECN 8014: OVERALL DIMENSION WAS 1.42, ADDED NOTES	7/13/15	D.FRISIELLO

D

D

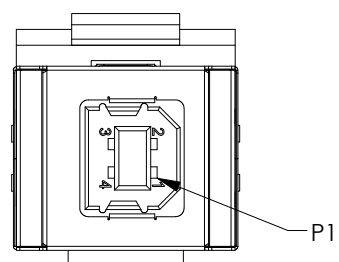


RECOMMENDED
PANEL OPENING

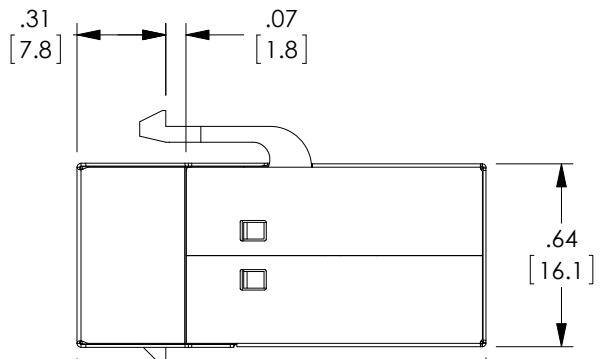


C

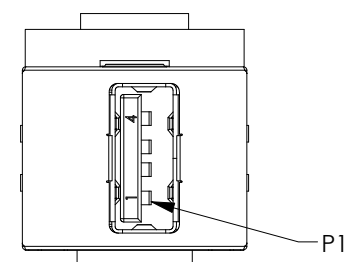
C



"J1"
USB TYPE B JACK
30u" SELECTIVE GOLD PLATED CONTACT
NICKEL PLATED SHELL



1.42^{+0.023}_{-.000}
[36.06^{+0.58}_{0.00}]



"J2"
USB TYPE A JACK
30U" SELECTIVE GOLD PLATED CONTACT
NICKEL PLATED SHELL

B

B

NOTES:

1. ADAPTER HOUSING: ABS, UL94V-0 RATED
2. ADAPTER SHIELDING: BRASS, NICKEL PLATED
3. PCB: GLASS FIBER EPOXY; FR-4, UL94 V-0
4. USB CONNECTORS MEET USB2.0 STANDARD
5. OPERATING TEMPERATURE: -20°C~+60°C
6. ADAPTER SHALL BE TESTED FOR CONTINUITY.
7. ADAPTER SHALL BE INDIVIDUALLY PACKAGED IN ACCORDANCE WITH L-COM SPECIFICATION PS-0031.

REGULATORY COMPLIANCE:
CE2011/65/EU(RoHS DIRECTIVE)



UNLESS OTHERWISE SPECIFIED, DIMENSIONS ARE IN INCHES [mm] OVERALL CABLE LENGTH TOLERANCE: ≤12 [305] = +1 [25] / -0 >12 [305] ≤60 [1524] = +2 [51] / -0 >60 [1524] ≤120 [3048] = +4 [102] / -0 >120 [3048] ≤300 [7620] = +6 [152] / -0 >300 [7620] = +5% / -0% ALL OTHER DIMENSIONAL TOLERANCES: .X = ±.2 [5.08] .XX = ±.02 [1.51] .XXX = ±.005 [1.13]	APPROVALS DRAWN BY D. PARHAM CHECKED BY ENG APPROVED BY S. SMITH	DATE 09/01/2009 09/02/2009 09/02/2009	45 BEECHWOOD DRIVE NORTH ANDOVER, MA 01845	
	CONFIGURATION DETAILS OF UNDIMENSIONED FEATURES MAY VARY			CATEGORY USB
	PROJECTION 	COLOR VARIATIONS MAY OCCUR	SIZE A	FSCM NO. 43321
	DWG. NO. UADKEY-BA		SCALE: NONE	CAD FILE: UADKEY-BA.SLDDRW
		SHEET 1 OF 1	REV. C	

A

A

