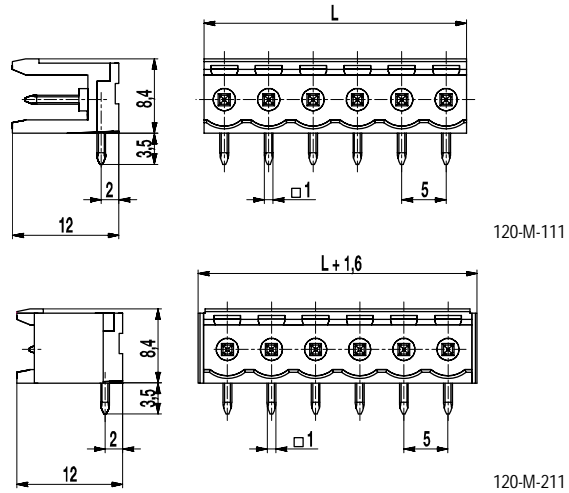


# 120-M-111/-211

Pin strip  
Plug-in direction parallel to PCB



## GENERAL INFORMATION

Pitch	5 mm
No. of poles	2 - 12
Usable with	all plug connectors of series 120
Additional Information	Ordering information: ...-M-111: without side walls, not pottable ...-M-211: with side walls, pottable

## TECHNICAL DATA

Overvoltage Category	III	III	II
Pollution Severity Level	3	2	2
Rated Voltage	250 V	320 V	630 V
Rated Impulse Voltage	4 kV	4 kV	4 kV
Rated Insulation Voltage	250 V acc. to EN 60998-1		
Rated Current	12 A		
Hole in PCB	ø 1,4 mm		

## APPROVALS

	Current [A]	Voltage [V]	Group	AWG	[Nm]
	15	300	B		
	10	300	D		
	15	300	B		
	10	300	D, E		

## MATERIAL

Moulding	PA, grey, V-0
Comparative Tracking Index	CTI ≥ 600
Insulating Group	I
Temperature Range	-40°C up to 100°C
Solder pin	1,0 x 1,0 mm; tin plated brass

## OPTIONS / ACCESSORIES

- Consecutive numbering
- Special marking according to drawing
- Self-adhesive marking strip BST-5,00
- Pitch of 10 mm for larger clearance and creepage distances
- Other solder pin lengths on request
- Coding elements 120-K
- Connectors equipped with coding elements on request
- Special version with fastening flanges 120-M-217

## CONFIGURATIONS

Poles	Part number	Article number	Part number	Article number	Length (L)	Packaging	PU
2	120-M-111/02	10.806.002	120-M-211/02	10.806.026	10,00 mm	Box	200
3	120-M-111/03	10.806.003	120-M-211/03	10.806.027	15,00 mm	Box	200
4	120-M-111/04	10.806.004	120-M-211/04	10.806.028	20,00 mm	Box	100
5	120-M-111/05	10.806.005	120-M-211/05	10.806.029	25,00 mm	Box	100
6	120-M-111/06	10.806.006	120-M-211/06	10.806.030	30,00 mm	Box	100

further number of poles on request

