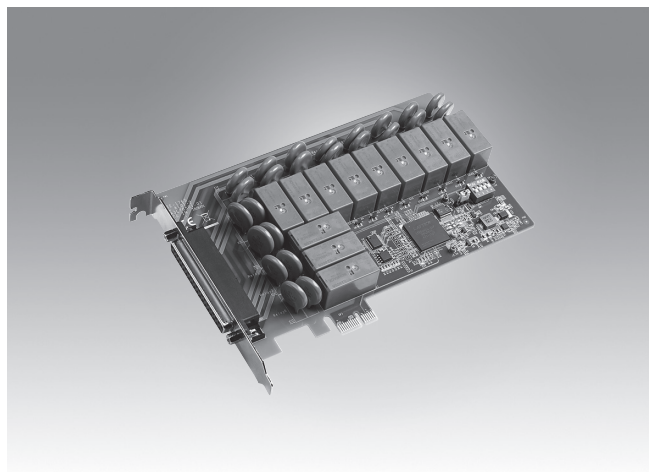


# PCIE-1765

## 12-ch Relay PCIe Card



### Features

- 12 relay output channels
- LED indicators to show activated relays
- 12 Form C-type relay output channels
- Output status read-back
- Keep relay output values after emergency reboot

### Introduction

The Advantech PCIE-1765 is a 12-channel relay actuator with contact rating up to 2A@30V<sub>DC</sub> current for the PCIe bus. Its 12 on-board SPDT relays are ideal for applications such as device ON/OFF control or small power switched. For easy monitoring, each relay is equipped with one red LED to show its ON/OFF status.

### Specifications

#### Relay Output

- **Channels** 12
- **Relay Type** SPDT , Form C
- **Contact Rating** 2A@250 V<sub>AC</sub> , 2A@30 V<sub>DC</sub>
- **Max. switching power** 500VA, 60W
- **Max. switching voltage** 400 V<sub>AC</sub>, 30 V<sub>DC</sub>
- **Breakdown voltage** 1000 V<sub>AC</sub>
- **Operate Time** Typical: 7ms
- **Release Time** Typical: 2ms
- **Resistance** Contact: 100m Ohm max.
- **Life Expectancy** 30 x 10<sup>6</sup> cycles min. @ 2A/250 V<sub>AC</sub>

#### General

- **I/O Connectors** 1 x DB37 female connector
- **Dimensions (L x H)** 168 x 100 mm (6.6" x 3.9")
- **Power Consumption** Typical: 3.3V @ 250mA  
Max. : 3.3V @ 2500mA
- **Operating Temperature** 0 ~ 60°C (32 ~ 140°F)
- **Storage Temperature** -20 ~ 70°C (-4 ~ 158°F)
- **Storage Humidity** 5 ~ 95 % RH, non-condensing

### Ordering Information

- **PCIE-1765-AE** 12-ch Relay PCIe Card

#### Accessories

- - **PCL-10137-1E** DB37 Cable, 1 m
- - **PCL-10137-2E** DB37 Cable, 2 m
- - **PCL-10137-3E** DB37 Cable, 3 m
- - **ADAM-3937-BE** DB37 DIN-rail Wiring Board