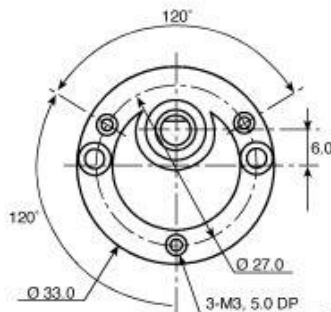
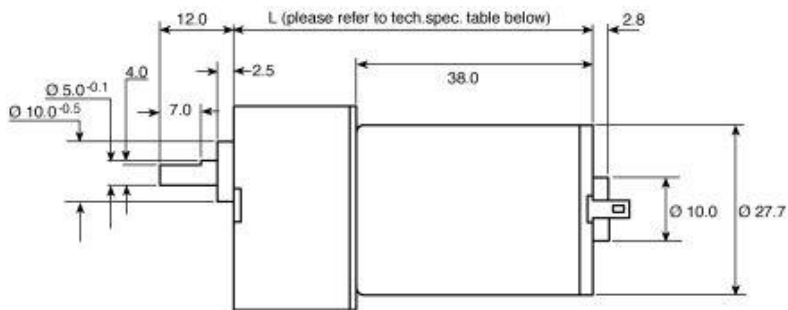


Datasheet

DC Geared Motor 24V 100nMn 190rpm Spur Gearhead Iron Core 5mm Diameter

RS Pro Stock No.: 2588293



All dimensions in millimetres



rnal



ENGLISH

Datasheet

DC Geared Motor 24V 100nMn 190rpm Spur Gearhead Iron Core 5mm Diameter

Description

The DC Geared motor is designed for low cost, high volume applications such as vending machines, magnetic card readers, printer mechanisms, actuators and all types of coin control systems.

Fitted with an all metal gearhead with sintered iron gears running on hardened steel shafts.

The output shaft runs in sintered bronze bearings.

Specifications

Brand RS Pro

DC Motor Type Geared

Shaft Diameter 5mm

Gearhead Type Spur

Width 27.7mm

Supply Voltage 24 V

Output Speed 190 rpm

Maximum Output Torque 10 Ncm

Length 57.8mm

Core Construction Iron Core