



Condensate Management

Condensate Purifiers | Condensate Drains

Quincy Condensate Purifiers

Environmentally Responsible Products

Compressed air is one of the most common and versatile utilities in use today. Raw compressed air, however, contains high concentrations of contaminated gasses, dirty water and various lubricants. If allowed to enter a compressed air distribution system, these pollutants will slow down production, ruin processes, and damage air operated equipment. To prevent these occurrences from causing unscheduled business interruptions, commonly referred to as "down time", most facilities employ such downstream air purification devices as aftercoolers, filters, and air dryers. The unavoidable by-product of such devices is a nasty brew of contaminate laced condensate. Oily, contaminated condensate is considered a hazardous material and should be handled and disposed of as such.

Over the years, commercial and industrial sites have struggled with how to properly dispose of this hazardous waste. Many have found that dumping condensate down the sewer, on to the ground, or into a lake, river or stream violates several environmental regulations and eventually results in significant penalties.

Section 309 of the Federal Water Pollution Control Act provides for fines of not less than \$2,500 per day to \$25,000 per day, or jail time, or both for first time violators. Such penalties can be assessed against the delinquent company and/or the person or persons responsible for plant operations and maintenance.

Quincy Condensate Purifiers use an environmentally responsible filtration process to remove contaminants from condensate. Contaminates are trapped in a special filter cartridge. The lightweight filter cartridge can be easily disposed of in accordance with local regulations.

Quincy Condensate Purifiers protect commercial and industrial sites and personnel from costly fines and penalties while helping to protect our waterways for future generations.

The Responsibility Is Yours!

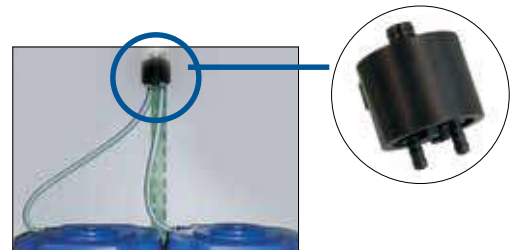


The Green Solution in a Black and White Industry

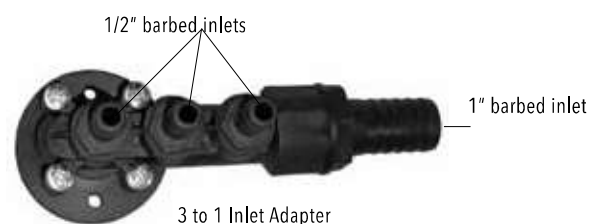
- Light weight
- Easy change cartridge
- Carbon free media
- Easy connect drain ports
- Versatility for multiple unit configuration
- Carbon Free Media
- Contains less than 40 PPM
- Capacities up to 1,600 hp
- Works with all compressor lubricants, including polyglycol
- Site glass on most models
- EPA safe disposal

Available Accessories

- Four Port Multiple Inlet Adaptors are standard on QCS 900, QCS 450, and QCS 1,600
- Additional Multiple Inlet Adaptors are available for applications where more than four inlets are required. Two Adaptors can be installed in series to accommodate up to seven



1 to 4 Flow Splitter



3 to 1 Inlet Adapter



Quality Comes in All Shapes and Sizes. But Just One Color.



The Quincy Promise

Quincy Compressor and its partnering distributors promise to provide you with uncompromising reliability in all Quincy equipment. This makes your compressed air system one less thing that you need to worry about, allowing you to focus on your company's productivity and profitability.

The Quincy Solution

Operating at peak efficiency and providing quality product is a priority for many of our customers. Quincy Compressor in partnership with our global network of authorized distributors strives to be your provider for all of your compressed air system needs. From the air compressor to filtration to dryers and storage solutions, Quincy Compressor is your single source provider for all of your compressed air system needs.

Air Compressors

Quincy Compressor is a premier provider of many different types of air compressors designed for a variety of applications using different compression technologies.

The Quincy QT is a Reciprocating Splash Lubricated compressor for tough everyday use. The Quincy QP is a reciprocating fully pressure lubricated compressor for a competitive advantage. The Quincy QR is a reciprocating compressor designed for the most demanding conditions. The Quincy QGS 5-30 HP is a heavy-duty belt driven rotary compressor at a competitive price. The Quincy QSI provides an industrial grade premium fixed speed rotary screw

air compressor. The Quincy QGV provides a premium variable speed rotary screw air compressor designed to optimize your energy efficiency.

Compressed Air Treatment

Quincy Compressor is your single-source provider of compressed air treatment products to complement your air compressor. Quincy provides refrigerated air dryers, desiccant air dryers, compressed air filtration from 5 to .01 micron, condensate drains, condensate management systems, storage solutions, and flow control valves. Quincy Compressor is truly a single-source provider for all of your compressed air needs.

Genuine Parts

Genuine Parts from Quincy Compressor keep your equipment running like new. When servicing your Quincy compressor, insist on Genuine Quincy parts. Not only will you save time and money, but you will gain the peace-of-mind from using only the highest quality parts worthy of the Quincy name.

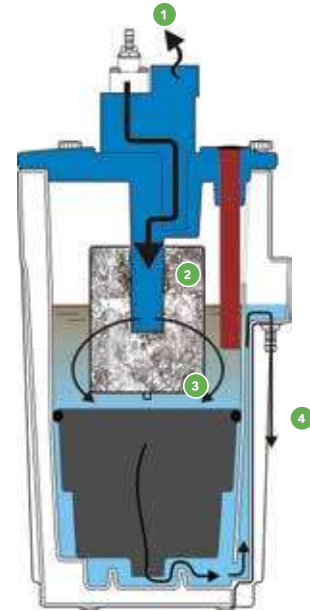
System Controls

Whether you have one air compressor or many air compressors from many different manufacturers, Quincy Compressor provides you with a way to control and monitor all of the components in your compressed air system in a way that maximizes your energy efficiency and decreases your energy costs. Whether you need to control your system on site or from half way around the world, Quincy Compressor is your source for reliable, efficient controls.

Quincy Condensate Purifiers

QCS Operation

1. Untreated condensate flows into the integrated pressure relief chamber
2. Condensate then flows into the 1st stage prefilter where bulk contaminants and oil are trapped in the oleophilic filter material
3. The prefiltered condensate is then directed into the polishing filter cartridge where the remaining contaminants are removed
4. Clean water exits the disposable cartridge rises to the outlet port and is discharged from the QCS purifier



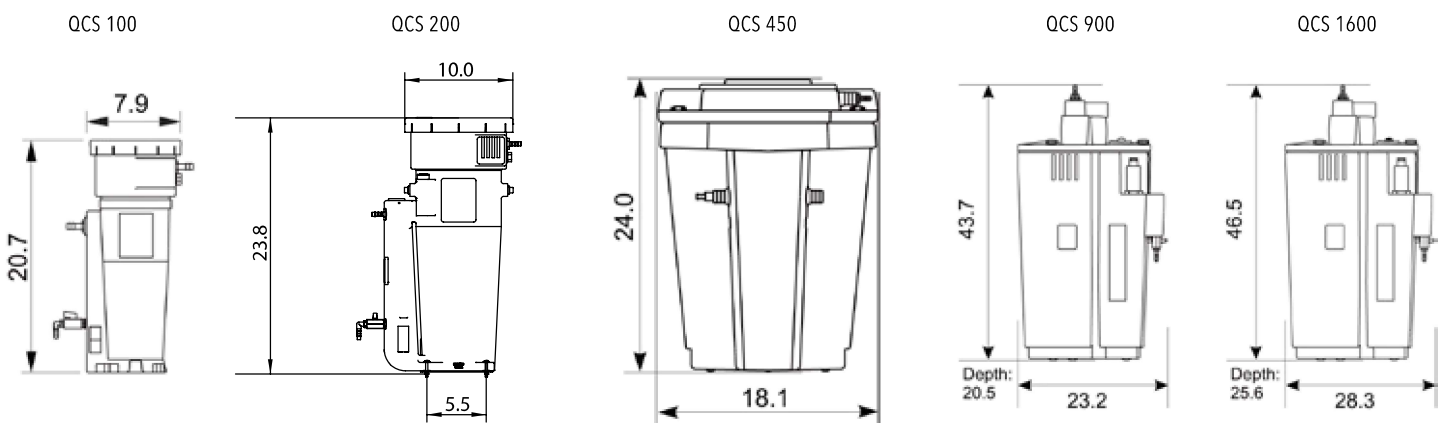
QCS 900-1600

QCS Engineering Data

Model	Tank Capacity (Gal)	Filling Capacity (Gal)	Condensate Inlet	Water Outlet	Weight Empty (lbs)	Min/Max Temp	Max Operating Pressure at Inlet (PSI)
QCS-100	2.64	1.14	(2) 1/2"	1/2"	7.70	41 to 140 °F	232
QCS-200	4.90	3.10	(2) 1/2"	1/2"	12.70	41 to 140 °F	232
QCS-450*	17.73	12.46	(1) 1/2" & (1) 1"	1"	19.50	41 to 140 °F	232
QCS-900*	30.51	19.15	(3) 1/2" & (1) 1"	1"	70.60	41 to 140 °F	232
QCS-1600*	60.34	36.24	(3) 1/2" & (1) 1"	1"	92.60	41 to 140 °F	232

* 1/2" inlet can be modified for 1" inlet

Capacity can be expanded by operating multiple units in parallel using flow splitter.
Oversize for polyglycol fluids.



Fluid Reference Chart

Quincy Fluids	Fluid Types	
	PAO/Diesters	Polyglycol/Synthetic
QuinSyn F	X	
QuinSyn Plus	X	
QuinSyn PG		X
QuinSyn XP		X
QuinSyn Flex	X	
QuinSyn Flush		X
QuinSyn FG46	X	
QuinSyn	X	
QuinSyn Edge	X	
QuinSyn Prime		X
QuinSyn Endura		X

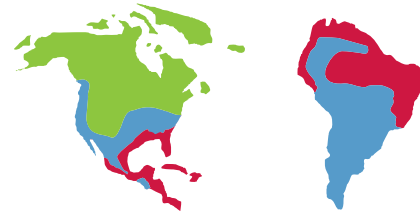
QCS Product Selector Chart

QCS Product Selector Chart	
1 Shift	10-14 months
2 Shifts	8-12 months
3 Shifts	5-9 months

* Ranges are approximate

Climate Zone Correction Factor

Cool / Mild	1.00
Medium / Arid	0.90
Hot / Tropical	0.70



Compressor HP	Compressor SCFM	Piston Compressor		Rotary Screw Compressor		
		Mineral Oils	Synthetic Oils	Mineral Oils	Pao/Diester Oils	Polyglycol Oils
10	45	100	100	100	100	100
15	60	100	100	100	100	100
20	90	100	200	100	100	200
25	113	200	200	100	200	200
35	158	200	450	200	200	450
40	180	200	450	200	450	450
50	225	450	450	200	450	450
60	270	450	900	450	450	900
75	338	450	900	450	450	900
100	450	900	900	450	900	900
100	495	900	1600	900	900	1600
130	585	900	1600	900	900	1600
175	788	1600	N/A	900	1600	1600
200	900	1600	N/A	900	1600	2x900
210	945	1600	N/A	1600	1600	2x1600
250	1125	1600	N/A	1600	2x900	2x1600
270	1215	N/A	N/A	1600	2x900	2x1600
350	1575	N/A	N/A	1600	2x1600	2x1600
400	1800	N/A	N/A	2x900	2x1600	3x1600
500	2250	N/A	N/A	2x1600	2x1600	3x1600
600	2700	N/A	N/A	2x1600	3x1600	4x1600
700	3150	N/A	N/A	2x1600	3x1600	4x1600
800	3600	N/A	N/A	3x1600	4x1600	4x1600
1000	4500	N/A	N/A	3x1600	4x1600	N/A
1300	5850	N/A	N/A	4x1600	4x1600	N/A
1600	7200	N/A	N/A	4x1600	N/A	N/A

To use the QCS Product Selector Chart, first locate either your compressor horsepower (for multiple compressors use the total system horsepower) or the net flow rate of your compressed air system. Follow the row to the right and locate the column with the appropriate compressor type and lubricant for your particular application (i.e piston compressor with synthetic lubricant) and you will instantly know the correct QCS model size for your compressor type. If you feel that the condensate emulsion for your given application, your regional location, total application volume or any other specific needs may have a significant impact on the application or installation, please consult your Quincy Compressor representative for details and sizing assistance.

Quincy Condensate Drains

Pneumatic No Air Loss Drains

Features/Benefits

- Saves Energy
- Operates on Demand
- No Wasted Air
- Versatile
- Low Profile
- See-Through Vessel
- 1/2" full port ball valve
- Ideal for use with Condensate Purifiers



Environmentally Responsible Products

Pneumatic No Loss Drains

Model	PSIG	Max Temperature (°F)	Pilot CFM at PSIG	Capacity			Dimensions			Approx. Weight (lbs)	Air Inlet Connection
				Aftercooler CFM	Dryer CFM	Filter CFM	Length (in)	Width (in)	Height (in)		
QDD-11T-120	250	180	80-120	2000	4000	13000	13.60	9.09	8.44	16.00	2x3/4" NPT
QDD-13-120	250	180	80-120	6500	13000	39000	30.50	9.09	8.44	16.00	2x3/4" NPT
High Pressure											
QDD-750-120 HP	750	180	80-120	2000	4000	13000	14.50	9.00	10.50	23.00	2x3/4" NPT

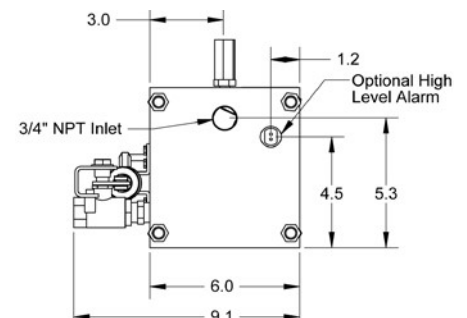
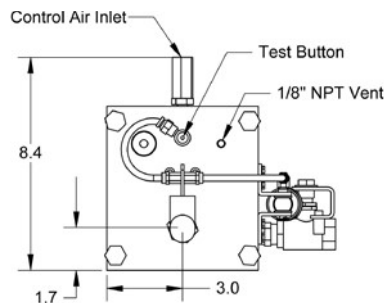
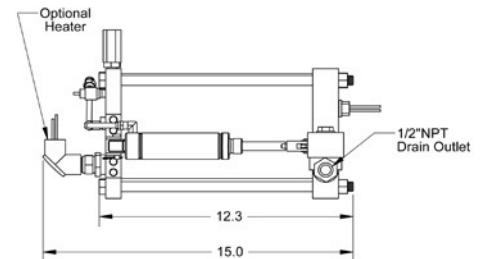
Electronic Timer Drains

Model	PSIG	°F	Max Temperature	CFM	Capacity			Air Inlet Connection
					Aftercooler CFM	Dryer CFM	Filter Orifice	
ETD-25	250	140	200	200	400	2000	7/6"	1/4" NPT
EDT-50	250	140	3500	3500	7000	35000	7/16"	1/2" NPT

Electronic Timer Drains

Features/Benefits

- Simple
- Reliable
- Affordable
- Adjustable Open Time
- Adjustable Cycle time



QMAT – Electronic, No Air Loss Drains

Features/Benefits

- Saves Energy
- Reliable and Robust
- Severe Duty
- Tolerates Dirt
- Low Maintenance
- Flexible

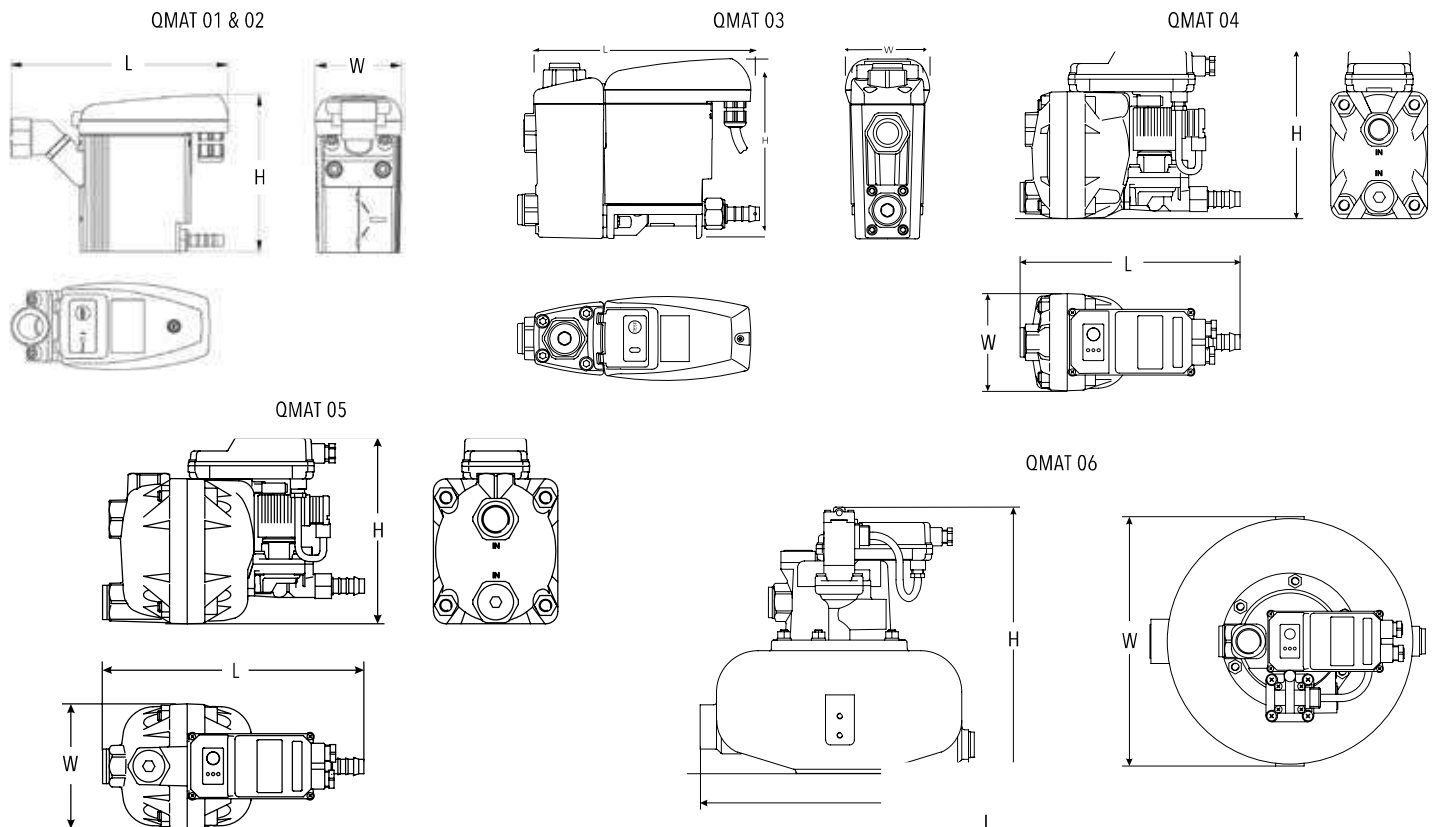
Engineered Component

- Control Board
 - Power On Light
 - Discharge Open Light
 - High Level Alarm
 - Push-To-Test Button
 - QMAT 1, 2, & 3 use replaceable cartridge.
- No seals or O rings are required



QMAT Specifications & Engineering Data

Model	Pressure Rating psig	Max Temperature (°F)	Capacity			Dimensions			Approx. Weight (lbs)	Air Inlet Connection
			Aftercooler CFM	Dryer CFM	Filter CFM	Length (inches)	Width (inches)	Height (inches)		
QMAT-01	282	140	100	200	1000	6.50	2.60	4.60	1.80	1/2" NPT
QMAT-02	282	140	225	450	2250	6.70	2.90	5.00	2.20	1/2" NPT
QMAT-03	282	140	500	1000	5000	8.30	2.50	6.20	1.80	1/2" NPT
QMAT-04	282	140	1300	2600	13000	8.40	3.70	6.40	4.40	1/2" NPT
QMAT-05	282	140	5400	10800	54000	9.90	4.70	7.10	6.40	3/4" NPT
QMAT-06	282	140	50000	100000	500000	11.00	10.20	11.00	14.00	1" NPT
High Pressure										
QMAT HP-1000	912	140	230	560	2800	6.20	2.50	5.80	2.00	1/2" NPT
QMAT HP-725	725	140	1300	2600	13000	8.30	3.40	6.40	4.40	1/2" NPT





Performance You Demand. Reliability You Trust.™

701 N. Dobson Avenue

Bay Minette, AL 36507

Phone 251.937.5900

Fax 251.937.0872

Email: info@quincycompressor.com

QuincyCompressor.com

©2017 Quincy Compressor. All rights reserved. Printed in U.S.A.
(QCM-005 01/17)