



## Product Compliance

[For compliance documentation, visit the product page on TE.com>](#)

EU RoHS Directive 2011/65/EU	Compliant
EU ELV Directive 2000/53/EC	Compliant
China RoHS 2 Directive MIIT Order No 32, 2016	No Restricted Materials Above Threshold
EU REACH Regulation (EC) No. 1907/2006	Current ECHA Candidate List: JAN 2022 (223) Candidate List Declared Against: JAN 2022 (223) Does not contain REACH SVHC
Halogen Content	Low Halogen - Br, Cl, F, I < 900 ppm per homogenous material. Also BFR/CFR/PVC Free
Solder Process Capability	Not applicable for solder process capability

### Product Compliance Disclaimer

This information is provided based on reasonable inquiry of our suppliers and represents our current actual knowledge based on the information they provided. This information is subject to change. The part numbers that TE has identified as EU RoHS compliant have a maximum concentration of 0.1% by weight in homogenous materials for lead, hexavalent chromium, mercury, PBB, PBDE, DBP, BBP, DEHP, DIBP, and 0.01% for cadmium, or qualify for an exemption to these limits as defined in the Annexes of Directive 2011/65/EU (RoHS2). Finished electrical and electronic equipment products will be CE marked as required by Directive 2011/65/EU. Components may not be CE marked. Additionally, the part numbers that TE has identified as EU ELV compliant have a maximum concentration of 0.1% by weight in homogenous materials for lead, hexavalent chromium, and mercury, and 0.01% for cadmium, or qualify for an exemption to these limits as defined in the Annexes of Directive 2000/53/EC (ELV). Regarding the REACH Regulation, the information TE provides on SVHC in articles for this part number is based on the latest European Chemicals Agency (ECHA) 'Guidance on requirements for substances in articles' posted at this URL: <https://echa.europa.eu/guidance-documents/guidance-on-reach>

## Compatible Parts



TE Part # 277774-000  
AE-900



TE Part # 547918-000  
AE-424



TE Part # 988208-000  
NAE-143-3

## Customers Also Bought



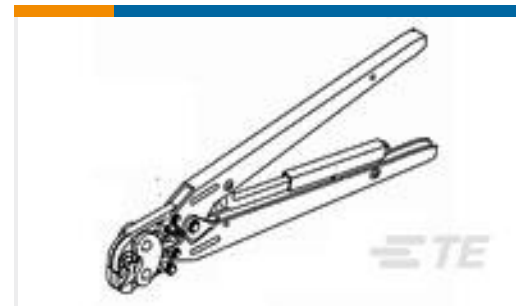
TE Part #991963-000  
PR-13-REFLECTOR



TE Part #281917-000  
AA-400-200-CE-SUPRHTR



TE Part #446549-1  
KIT,CONTACT,SOCKET,ARINC,SZ 1



TE Part #525693  
DAHT SOLIS 22-10 ASSY



TE Part #624513-000  
D-146-0208



TE Part #650145-000  
D-436-0081



TE Part #EG1116-000  
CV1981-ST-230V1600W-UK



TE Part #8650423007  
10614-9(100)



TE Part #A22723-000  
222D242-4/86-0-CS5623

## Documents

[Datasheets & Catalog Pages](#)

[Raychem Application Tooling](#)

English

[Agency Approvals](#)

[CE Technical File](#)

English