



Application Tooling &gt; Insertion &amp; Extraction Tools

Insertion & Extraction Tool Type: **Contact Extraction**

## Features

### Product Type Features

Insertion &amp; Extraction Tool Type

Contact Extraction

## Product Compliance

For compliance documentation, visit the product page on [TE.com](#)>

EU RoHS Directive 2011/65/EU

Compliant

EU ELV Directive 2000/53/EC

Out of Scope

China RoHS 2 Directive MIIT Order No 32, 2016

No Restricted Materials Above Threshold

EU REACH Regulation (EC) No. 1907/2006

Current ECHA Candidate List: JAN 2022 (223)  
 Candidate List Declared Against: JUN 2020 (209)  
 SVHC > Threshold:  
 Not Yet Reviewed

Halogen Content

Out of Scope - excluded from Halogen requirements

Solder Process Capability

Not applicable for solder process capability

### Product Compliance Disclaimer

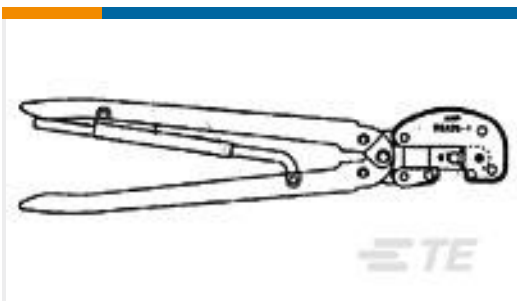
This information is provided based on reasonable inquiry of our suppliers and represents our current actual knowledge based on the information they provided. This information is subject to change. The part numbers that TE has identified as EU RoHS compliant have a maximum concentration of 0.1% by weight in homogenous materials for lead, hexavalent chromium, mercury, PBB, PBDE, DBP, BBP, DEHP, DIBP, and 0.01% for cadmium, or qualify for an exemption to these limits as defined in the Annexes of Directive 2011/65/EU (RoHS2). Finished electrical and electronic equipment products will be CE marked as required by Directive 2011/65/EU. Components may not be CE marked. Additionally, the part numbers that TE has identified as EU ELV compliant have a maximum concentration of 0.1% by weight in homogenous materials for lead, hexavalent chromium, and mercury, and 0.01% for cadmium, or qualify for an exemption to these limits as defined in the Annexes of Directive 2000/53/EC (ELV). Regarding the REACH Regulation, the information TE provides on SVHC in articles for this part number is based on the latest European Chemicals Agency (ECHA) 'Guidance on requirements for substances in articles' posted at this URL: <https://echa.europa.eu/guidance-documents/guidance-on-reach>

## Compatible Parts

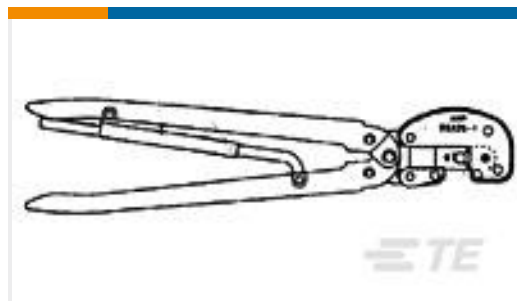


TE Part # CJ2087-000  
HL2010E-KIT-120V

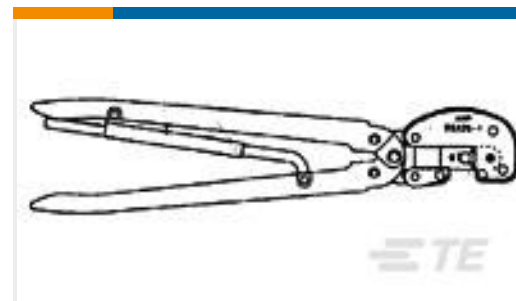
## Customers Also Bought



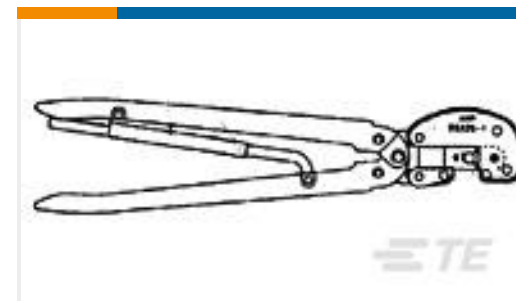
TE Part #576780  
HHT PIDG PEEK STRATO 18 ASSY



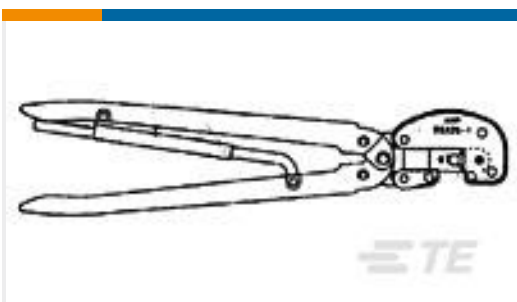
TE Part #576779  
HHT PIDG PEEK STRATO 20 ASSY



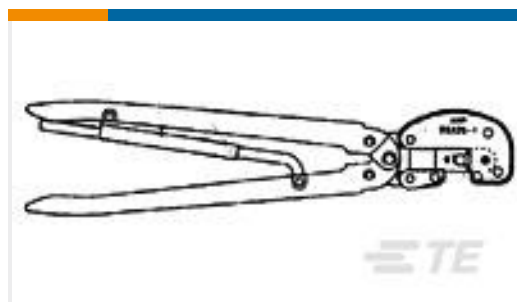
TE Part #576778  
HHT PIDG PEEK STRATO 24-22 ASSY



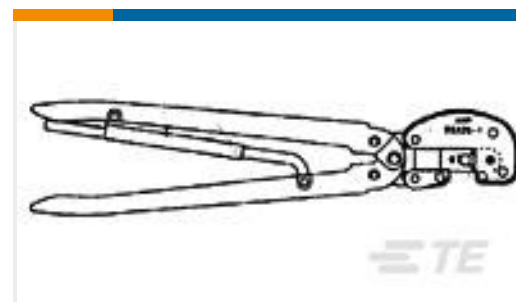
TE Part #576784  
HHT PIDG PEEK STRATO 10 ASSY



TE Part #576781  
HHT PIDG PEEK STRATO 16 ASSY



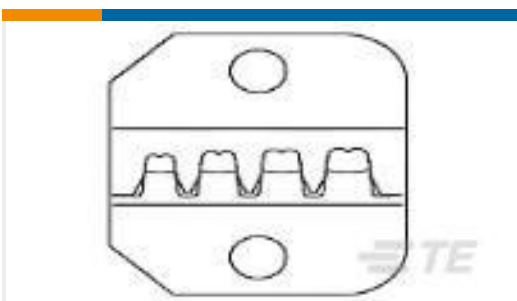
TE Part #576782  
HHT PIDG PEEK STRATO 14 ASSY



TE Part #576783  
HHT PIDG PEEK STRATO 12 ASSY



TE Part #91539-1  
CCII TYPE II SKT 22-14 2x18 ASSY



TE Part #91902-1  
PREM SDE DIE,N SERIES RG 141



TE Part #992008-000  
AD-1377-CRIMP-TOOL-3-CVTY

## Documents

### Product Drawings

[AD-1447-CONT-REMOVAL-TOOL](#)

English