

AD-1386-CALIBRATION-GAUGE ✓ ACTIVE

Raychem

TE Internal #: 992013-000

Portable Crimp Tools, Gauge

[View on TE.com >](#)



Application Tooling > Portable Crimp Tools



Tooling Type: **Gauge**

Features

Other

Tooling Type

Gauge

Product Compliance

[For compliance documentation, visit the product page on TE.com>](#)

EU RoHS Directive 2011/65/EU

Compliant

EU ELV Directive 2000/53/EC

Out of Scope

China RoHS 2 Directive MIIT Order No 32, 2016

No Restricted Materials Above Threshold

EU REACH Regulation (EC) No. 1907/2006

Current ECHA Candidate List: JAN 2022 (223)
Candidate List Declared Against: JUN 2020 (209)
SVHC > Threshold:
Not Yet Reviewed

Halogen Content

Out of Scope - excluded from Halogen requirements

Solder Process Capability

Not applicable for solder process capability

Product Compliance Disclaimer

This information is provided based on reasonable inquiry of our suppliers and represents our current actual knowledge based on the information they provided. This information is subject to change. The part numbers that TE has identified as EU RoHS compliant have a maximum concentration of 0.1% by weight in homogenous materials for lead, hexavalent chromium, mercury, PBB, PBDE, DBP, BBP, DEHP, DIBP, and 0.01% for cadmium, or qualify for an exemption to these limits as defined in the Annexes of Directive 2011/65/EU (RoHS2). Finished electrical and electronic equipment products will be CE marked as required by Directive 2011/65/EU. Components may not be CE marked. Additionally, the part numbers that TE has identified as EU ELV compliant have a maximum concentration of 0.1% by weight in homogenous materials for lead, hexavalent chromium, and mercury, and 0.01% for cadmium, or qualify for an exemption to these limits as defined in the Annexes of Directive 2000/53/EC (ELV). Regarding the REACH Regulation, the information TE provides on SVHC in articles for this part number is based on the latest European Chemicals Agency (ECHA) 'Guidance on requirements for substances in articles' posted at this URL: <https://echa.europa.eu/guidance-documents/guidance-on-reach>

Compatible Parts



TE Part # 959025-000
AD-1377-S-SPEC-CRIMP-TOOL

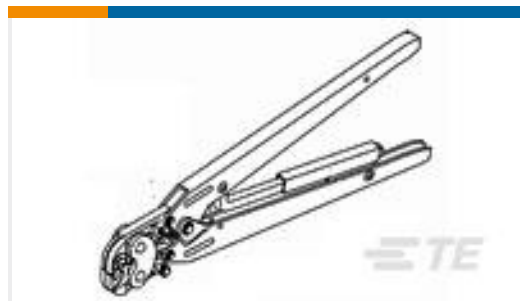


TE Part # CS1660-000
AD-1381-CRIMP-TOOL-3-CVTY

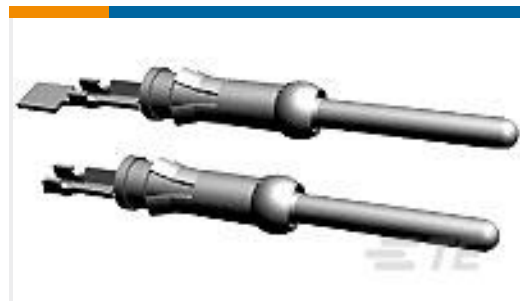
Customers Also Bought



TE Part #206151-1
23-37 RECEPT STD SEX



TE Part #46447
DAHT STRATO 22-10 ASSY



TE Part #1-66103-7
III+ PIN,24-20, 30AU/SN,SMPACK



TE Part #1-1721150-5
ORWH-SH-124D1F,000



TE Part #EC1062-000
Z-TYPE PUSH-ON MARKERS



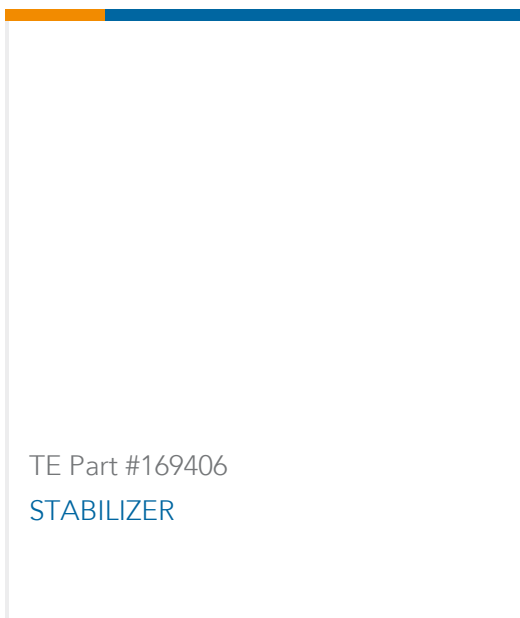
TE Part #YAFD50-22-21PNC012
RECP ASSY



TE Part #992008-000
AD-1377-CRIMP-TOOL-3-CVTY



TE Part #169403
LOCATOR



TE Part #169406
STABILIZER

Documents

Product Drawings

[AD-1386-CALIBRATION-GAUGE](#)

English

Datasheets & Catalog Pages

[Raychem Application Tooling](#)

English

