

SPECIFICATION OF MOTOR CONNECTOR

PIN No.	SIGNAL
1	U
2	V
3	W
4	F.G.

SPECIFICATION OF SENSOR CONNECTOR

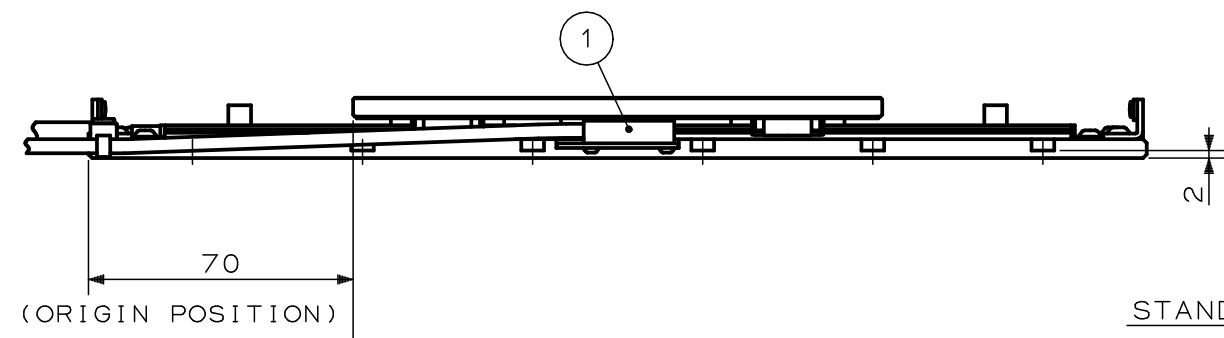
PIN No.	SIGNAL	PIN No.	SIGNAL
1		7	DC12V~24V±10%(PRE-ORIGIN)
2	PRE-ORIGIN	8	G N D(PRE-ORIGIN)
3	+ LIMIT	9	DC12V~24V±10%(+ LIMIT)
4	- LIMIT	10	G N D(+ LIMIT)
5		11	DC12V~24V±10%(- LIMIT)
6		12	G N D(- LIMIT)

TABLE SPECIFICATIONS.

MAXIMUM THRUST	36	N	*1
RATED THRUST	8	N	*2
MAXIMUM LOAD MASS	5	Kg	
STROKE LENGTH	120	mm	
RESOLUTION	0.5	μm	
MAXIMUM SPEED	1.3	m/s	
REPEATABILITY	±0.5	μm	*3
MASS OF THE MOVING PART	0.47	Kg	
TOTAL MASS	1.4	Kg	*4
AMBIENT TEMPERATURE AND HUMIDITY	0~40°C · 20~80%RH		
COEFFICIENT OF LINEAR EXPANSION FOR TAPE SCALE ATTACHMENT PART	11.6 × 10 ⁻⁶ /°C		

MEASURED ACCURACIES ARE ACCORDING TO IKO INTERNAL EVALUATION METHODS.

- *1 THE DURATION OF MAXIMUM THRUST IS UP TO 1 SECOND.
- *2 THIS IS BASED ON THE CASE OF MOUNTING ON A METAL MATING MEMBER MATERIAL AT AN AMBIENT TEMPERATURE OF 20°C.
- *3 WHEN THE TEMPERATURE OF THE PRODUCT IS CONSTANT.
- *4 MASS OF THE CORD IS NOT INCLUDED.



ORIGIN (ENCODER)

PRE-ORIGIN (APM-D3B1-017)	OFF	4
+ LIMIT (APM-D3B1-017)	OFF	
- LIMIT (APM-D3B1-017)	OFF	60
MECHANICAL STOPPER		(5.5)

SENSOR TIMING

STANDARD MAIN SPECIFICATION

- (a).THE SENSOR CONNECTOR OF THE OTHER SIDE (HOUSING 1625-12R1, TERMINAL 1854TL MADE BY MOLEX) IS NOT ATTACHED.
- (b).THE MOTOR CONNECTOR OF THE OTHER SIDE (HOUSING 172159-1, TERMINAL 170366-1 MADE BY AMP) IS NOT ATTACHED.

NO.	DESCRIPTION	Q'TY	REMARKS
4	SENSOR CONNECTOR	1	1625-12R1
		9	1855TL (MOLEX)
3	SENSOR	3	APM-D3B1-017 (AZBIL)
2	MOTOR CONNECTOR	1	172167-1
		4	170359-1 (AMP)
1	ENCODER HEAD	1	LIK41-M32-PZoR (JENA)

CUSTOMER					SCALE	CLASSN.	DATE	THEIR PART NO.	TITLE(PART NAME)
IKO International, Inc. (Irving, TX)					1:2 (mm)	—	19.Jan '22		PRECISION POSITIONING TABLE
REV	DESCRIPTION	DWN	APPD	DATE	DRAFTMAN	DRWG. NO.		PART NO.	
△					K. OKUYA	22791-0030-00D		NT80V120/5LSC1	
△					K. KATOH				
△					T. HAGIYA				

IKO NIPPON THOMPSON CO.,LTD.