

RSBT



3-phase scroll compressor soft starter



Benefits

- **Easy to use.** The RSBT is equipped with a self-learning algorithm that automatically adjusts the start parameters to reduce the compressor starting current.
- **Fast installation and set-up.** No settings are required.
- **Compact dimensions.** 16 - 32 Arms in 45 mm wide housing, 55 - 95 Arms in 120 mm wide housing.
- **Guided model selection.** Easy to use online selection tool to select the appropriate soft starter model depending on the compressor brand/model. Go to <http://www.productselection.net/SoftStarters/SoftStartersNew.php?LANG=UK>
- **Tamper proof.** No user adjustments are available. RSBT automatically adjusts its internal parameters to ensure optimal starting at any condition.
- **Adjusts to load requirements.** The built-in HP function ensures that the compressor starts in < 1 second even under high pressure difference during start.

Description

RSBT is an easy to use soft starter for scroll compressors up to 95 A nominal current.

The RSBT is equipped with a patented auto-adaptive algorithm that automatically adapts itself to the specific compressor it is controlling ensuring that an optimum inrush current reduction is achieved.

RSBT is a 3-phase controlled solution and is internally bypassed - resulting in less heat dissipation inside the panel.

Short Circuit and Overload protection are not provided with the controller and must be procured separately.

Applications

- Heat pumps, chillers, roof tops, refrigeration display cabinets

Main features

- Self-learning algorithm adjusts start parameters according to load
- No user adjustments required
- Limits starting current of 3 phase compressors

Order code

 **RSBT** **V**

Enter the code entering the corresponding option instead of .

Code	Option	Description	Comments
R	-		
S	-	Scroll compressor soft starter	
B	-		
T	-	Switching mode: 3 phase	
<input type="checkbox"/>	40	220 - 400 VAC + 10% - 15%	Operational voltage range
	48	220 - 480 VAC + 10% - 15%	
<input type="checkbox"/>	16	16 Arms	Rated operational current at 40°C
	25	25 Arms	
	32	32 Arms	
	55	55 Arms	
	70	70 Arms	
	95	95 Arms	
<input type="checkbox"/>	E	110 – 400 VAC, +10% -15%	Control voltage (Only for RSBT40 models)
	F	24 VAC/DC ±10%	Control voltage (Only for RSBT40 models)
	C	24 VAC/DC ±10% and 110 - 400 VAC +10% -15%	Control voltage (Only for RSBT48 models)
<input type="checkbox"/>	V11HP	DIN Mount	Only for RSBT40 Modbus
	V21HP	DIN Mount and relay output (RFPMV10 module)	
	VC1HP	RS485 MODBUS serial communication	Only for RSBT 40 models
	V0	Relay outputs	Only for RSBT 48 models
	VC	RS485 Modbus serial communication	


Selection guide - RSBT 45 mm

Operational voltage	Control voltage	Features	Rated operational current per pole @ 40°C		
			16 Arms	25 Arms	32 Arms
220 - 400 VAC	110 - 400 VAC	HP	RSBT4016EV11HP	RSBT4025EV11HP	RSBT4032EV11HP
		HP + Relay output	RSBT4016EV21HP	RSBT4025EV21HP	RSBT4032EV21HP
	24 VAC / DC	HP	RSBT4016FV11HP	RSBT4025FV11HP	RSBT4032FV11HP
		HP + Relay output	RSBT4016FV21HP	RSBT4025FV21HP	RSBT4032FV21HP
	110 - 400 VAC (or Modbus)	RS485 Modbus communication	RSBT4016EVC1HP	RSBT4025EVC1HP	RSBT4032EVC1HP
	24 VAC / DC (or Modbus)		RSBT4016FVC1HP	RSBT4025FVC1HP	RSBT4032FVC1HP

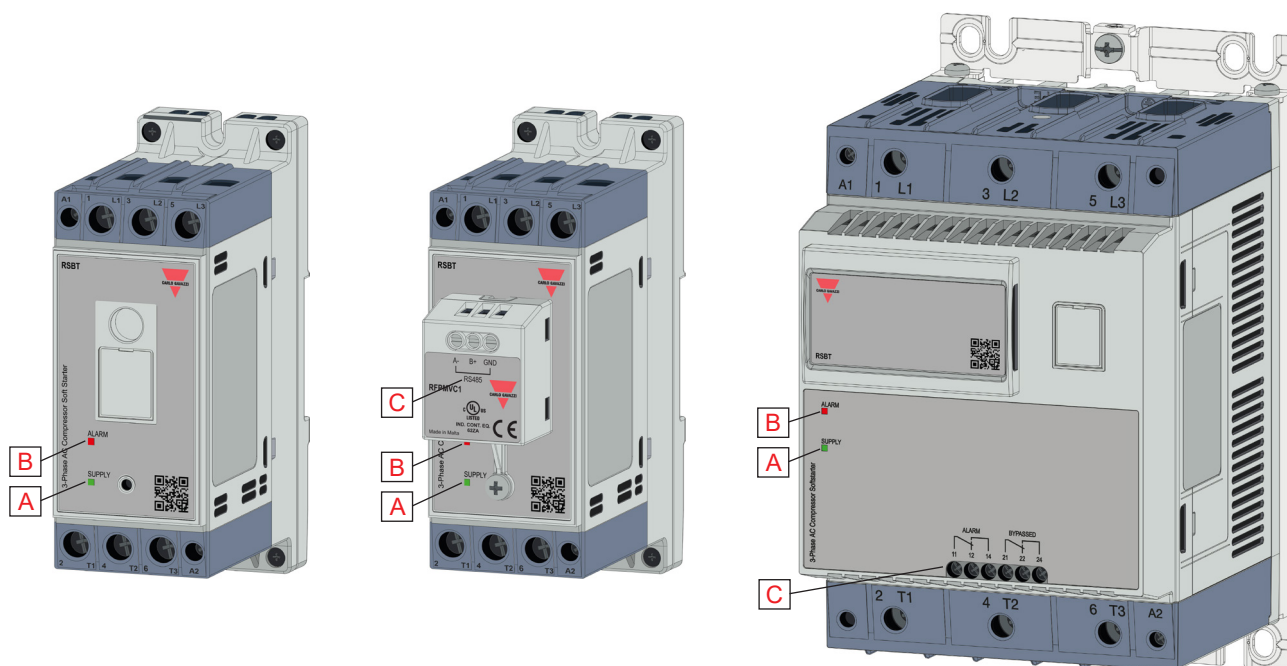
Selection guide - RSBT 120 mm

Operational voltage	Control voltage	Features	Rated operational current per pole @ 40°C		
			55 Arms	70 Arms	95 Arms
220 - 480 VAC	24 VAC/DC and 100 - 400 VAC	Relay outputs	RSBT4855CV0	RSBT4870CV0	RSBT4895CV0
	24 VAC/DC and 100 - 400 VAC (or Modbus)	RS485 + Relay outputs	RSBT4855CVC	RSBT4870CVC	RSBT4895CVC

Further reading

Information	Where to find it	QR
RSBT instruction manual	http://cga.pub/?8ed4cc	
RSBT troubleshooting guide	http://cga.pub/?a8d9de	
CAD drawings (45 mm)	http://cga.pub/?f98c30	
CAD drawings with module (45mm)	http://cga.pub/?d9bb77	
CAD drawings (120 mm)	http://cga.pub/?dbe689	
RSBT Monitor software	http://cga.pub/?cabe83	

Structure



Element	Component	Function	
A	LED indicators	Supply. Indicates that the RSBT supply is ON.	
B	LED indicators	Alarm. Indicates that the RSBT is in alarm. The number of flashes indicates the alarm type.	
C		RSBT 45 mm	RSBT 120 mm
	Digital outputs	Version: V21, 11, 12, 14: Changeover relay (NO, NC) for alarm indication	11, 12, 14: Changeover relay (NO, NC) for alarm indication. 21, 22, 24: Changeover relay (NO, NC) for top of ramp indication.
	Communication interface	Version VC1 A-, B+, GND: connection for Modbus (RS485)	Version CVC A-, B+, GND, T: connection for Modbus (RS485)

Mode of operation

Auto Adaptive Algorithm (Patented)

RSBT series of soft starters includes an innovative auto-adaptive algorithm (Patented) that limits the compressor starting current and minimises current unbalance. Appropriate parameters are automatically set by RSBT in order to achieve an optimum inrush current reduction whilst maintaining a ramp-up time < 1 sec. This feature is active at every compressor start to ensure that the RSBT adapts its parameters according to the load requirements at different operating conditions.

First start of RSBT

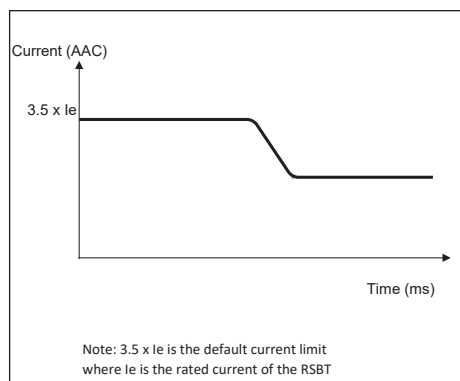
At the very first start, the RSBT will start the compressor with the default current limit setting.

Note: The default current limit is approximately $3.5 \times I_e$ (where I_e = soft starter rated current). Depending on the values of specific parameters, that are automatically measured by RSBT, it will adjust the current limit setting to a lower value. This new self-learned current limit setpoint will then be used by RSBT during the subsequent start.

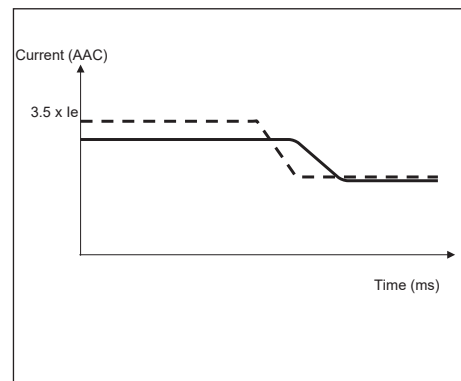
High pressure (HP) function

During the ramp-up sequence, the RSBT will check if the compressor is rotating. If the RSBT finds the compressor in locked rotor condition, it will trigger the HP function. During the HP sequence, the RSBT will gradually increase the current limit setpoint. The maximum value is $\leq 3.5 \times I_e$.

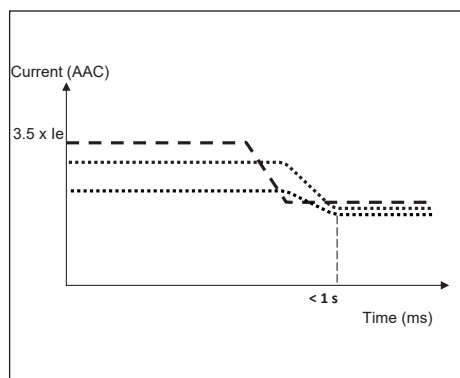
Note: Even during HP mode of operation the ramp-up time will be limited to a maximum of 1 sec. If the compressor does not reach full speed during a maximum of 1 sec, the RSBT will trigger the End of ramp alarm (5 flashes) and will go in alarm state.



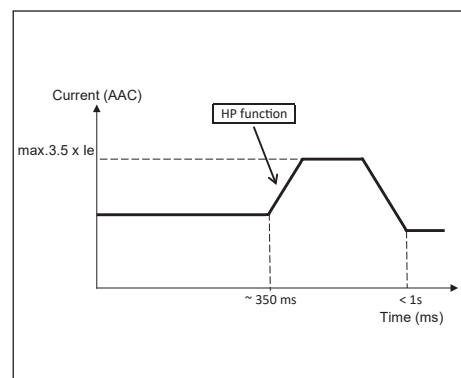
Start 1



Start 2



Start 3



Start 4

Features

General data

Material	PA66
Assembly	DIN or panel
Touch protection	IP20
Weight	RSBT..V11...: approx. 425 g RSBT..V21...: approx. 460 g RSBT4855...: approx. 2.8 kg RSBT4870...: approx. 2.8 kg RSBT4895...: approx. 3.0 kg
Overvoltage category	III

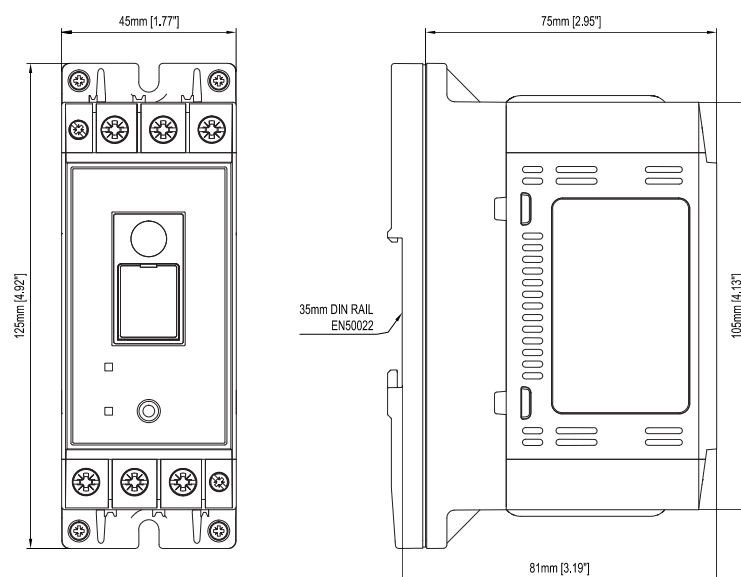


Fig. 1 RSBT..V11 HP versions

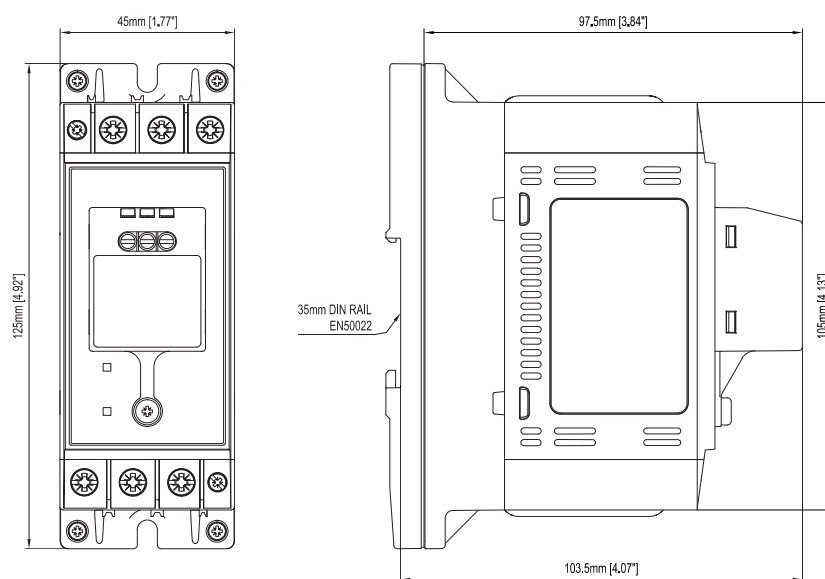


Fig. 2 RSBT..V21/C1 HP versions

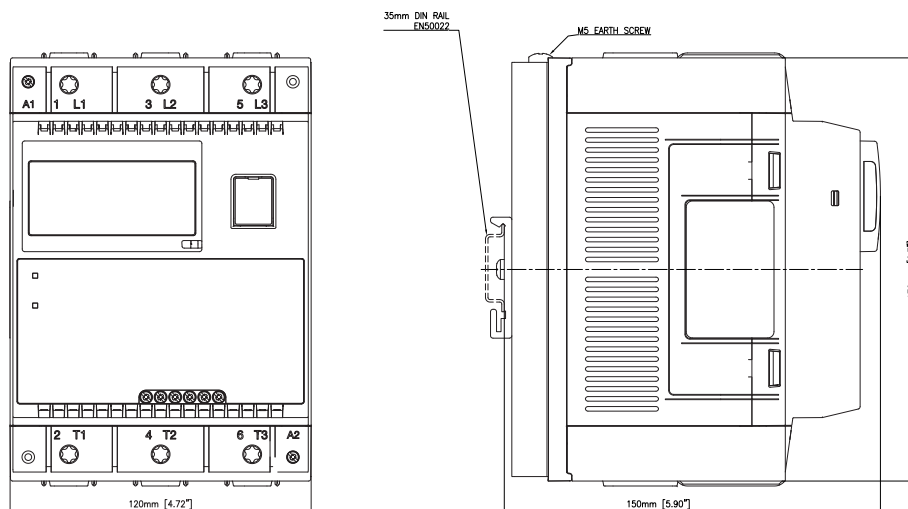


Fig. 3 RSBT48.. versions (DIN rail mount)

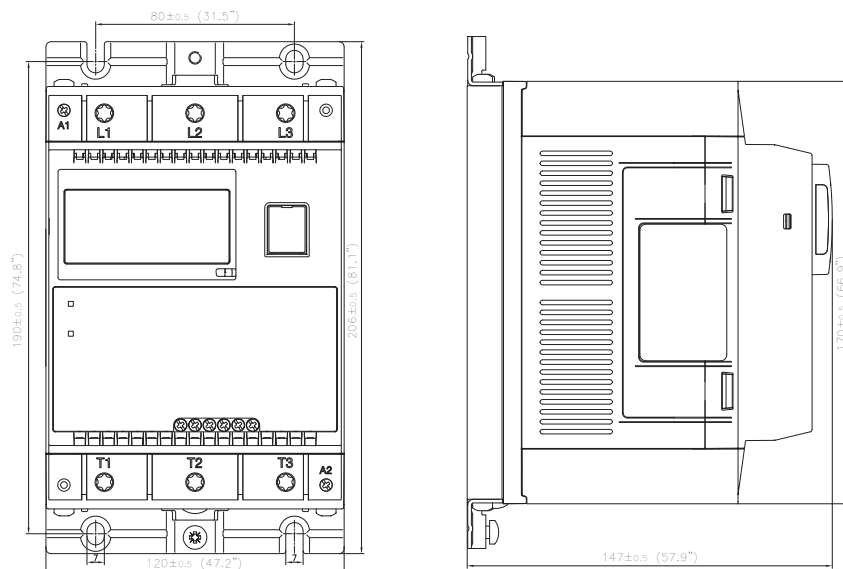


Fig. 4 RSBT48.. versions (Panel mount)

Settings

Ramp-up time	< 1s
Ramp-down time	Not applicable
Initial torque	Initial torque will vary indirectly through the variation of the current limit through the autoadaptive algorithm

Environmental

Working temperature	RSBT..16EV..: -20°C to +60°C (-4°F to +140°F) RSBT..25EV..: -20°C to +55°C (-4°F to +131°F) RSBT..32EV..: -20°C to +50°C (-4°F to +122°F) RSBT48...: -20°C to +60°C (-4°F to +140°F)
Storage temperature	RSBT40...: -40°C to +80°C (-40°F to 176°F) RSBT48...: -30°C to +85°C (-22°F to 185°F)
Relative humidity	<95% non condensing @ 40°C
Pollution degree	RSBT40...: 2 RSBT48...: 3
Installation category	III
Installation altitude	0 - 1000 m
Vibration resistance	2g / axis (2 - 100 Hz, IEC60068-2-6, EN50155, EN61373)
Impact resistance	15/11 g/ms (EN50155, EN61373)
EU RoHS compliant	Yes

Inputs






	RSBT..EV..	RSBT..FV...	RSBT..CV..
Control voltage (Uc)	A1 – A2: 110 – 400 VAC (+10%, -15%)	A1 - A2: 24VAC/DC (-10%, +10%)	A1 – A2: 24 VAC/DC (-10%, +10%) 110 - 400 VAC (-15%, + 10%)
Control voltage range (Uc)	93.5 – 440 VAC	21.6 - 26.4 VAC/DC	21.6 – 26.4 VAC/DC (applies to 24 VAC/DC supply) 93.5 - 440 VAC (applies to 110 - 400 VAC supply)
Maximum pick-up voltage	80 VAC	20.4 VAC/DC	20.4 VAC/DC (applies to 24 VAC/DC supply)
Minimum drop out voltage	20 VAC	5 VAC/DC	5 VAC/DC (applies to 24 VAC/DC supply)
Rated AC frequency	50/60 Hz		
Rated insulation voltage (Ui)	630 VAC		630 VAC
Overvoltage category	II		
Dielectric strength: Dielectric withstand voltage Rated impulse withstand voltage Input to heatsink	2 kVrms 4 kVrms Not applicable		Not applicable 6 kVrms 3.5 kVrms
Control input current	3...6 mAAC	0.4 mAAC, 0.8 mADC	0.4...5 mAAC
Input to output response time	< 100 ms	< 140 ms	< 300 ms
Integrated varistor	Yes		

▶ Outputs

	RSBT..16..	RSBT..25..	RSBT..32..	RSBT..55..	RSBT..70..	RSBT..95..
Overload cycle @ 40°C surrounding temperature (acc. to IEC/EN 60947-4-2)	AC53b:2.5-1:299	AC53b:3.6-1:299	AC53b:3.4-1:299	AC53b:3.5-1:299		
Maximum number of starts/hr @ rated overload cycle @ 40°C surrounding temperature	12					
Rated operational current @ 40°C	16 AAC	25 AAC	32 AAC	55 AAC	70 AAC	95 AAC
Rated operational current @ 50°C	16 AAC	25 AAC	25 AAC	50 AAC	62 AAC	87 AAC
Rated operational current @ 60°C	16 AAC	16 AAC	16 AAC	46 AAC	54 AAC	80 AAC
Minimum time between stop and start	1 s					
Minimum time between starts	299 s					
Minimum operational current	2 AAC			5 AAC		

Note: The overload cycle describes the switching capability of the soft starter at a surrounding temperature of 40°C as described in EN/IEC 60947-4-2. An overload cycle AC53b:3.5-1:299 means that the soft starter can handle a starting current of 3.5 \times le for 1 second followed by an OFF time of 299 seconds.

Compatibility and conformance

Conformance	IEC/EN 60947-4-2 UL Listed (E172877) cUL Listed (E172877) CCC VDE (applicable to RSBT..EV versions only): acc. to EN60335-1, EN60335-2-40 (Up to 15Arms load current)
Approvals	    
UL short circuit current rating	RSBT...16/25/32: 5kArms RSBT..55: 10 kArms (when protected with J class fuses up to 60A). RSBT..70: 10 kArms (when protected with J class fuses up to 70A). RSBT..95: 10 kArms (when protected with RK5 fuses up to 100A).

Electromagnetic compatibility (EMC) - immunity		
	RSBT40...	RSBT48...
Electrostatic discharge (ESD)	EN/IEC 61000-4-2 8 kV air discharge (PC2) 4 kV contact (PC2)	EN/IEC 61000-4-2 8 kV air discharge (PC1) 4 kV contact (PC2)
Radiated radio frequency	EN/IEC 61000-4-3 3 V/m, 80 MHz - 1GHz (PC1) 10 V/m, 1 - 2.7GHz - N/A	EN/IEC 61000-4-3 3 V/m, 80 MHz - 1GHz - N/A 10 V/m, 1 - 2.7GHz (PC1)
Electrical Fast Transient (Burst)	EN/IEC 61000-6-2 Output: 2 kV, 5 kHz, 100 kHz (PC1) Output: 4 kV (PC2) Input: 2 kV, 5kHz, 100 kHz (PC1)	EN/IEC 61000-6-2 Output: 2 kV (PC1) Output: 4 kV (PC2) Input: 1 kV (PC1)
Conducted Radio Frequency	EN/IEC 61000-4-6 10 V/m, from 0.15 to 80 MHz (PC1)	EN/IEC 61000-4-6 140 dBuV, Frequency Range (PC1)
Electrical Surge	EN/IEC 61000-4-5 Output, line to line: 1 kV (PC2) Output, line to earth: 2 kV (PC2) Input, line to line: 1 kV (PC1) Input, line to earth: 2 kV (PC2)	EN/IEC 61000-4-5 Output, line to line: 1 kV (PC1) Output, line to earth: 2 kV (PC1) Input, line to line: 1 kV (PC1) Input, line to earth: 1 kV (PC1)
Voltage Dips	EN/IEC 61000-6-2 0% for 20ms (PC1) 40% for 200ms (PC2) 70% for 500ms (PC2)	EN/IEC 61000-6-2 0% for 20ms (PC2) 40% for 200ms (PC2) 70% for 500ms (PC2)
Voltage interruptions	EN/IEC 61000-6-2 0% for 5000 ms (PC2)	EN/IEC 61000-6-2 0% for 5000 ms (PC2)
Harmonics	IEC/EN 61000-3-2 ¹ IEC/EN 61000-3-12 ¹	
Flicker	IEC/EN 61000-3-3 ¹ IEC/EN 61000-3-11 ¹	
Emission of Discontinuous Conducted (Click) RF noise	EN55014 Pass (exception 4) ¹	

Electromagnetic compatibility (EMC) - emissions		
	RSBT40...	RSBT48...
Radio Interference field emission (Radiated)	EN/IEC 55011 Class B: from 30 to 1000 MHz	EN/IEC 55011 Class A: from 30 to 1000 MHz
Radio interference field emissions (conducted)	EN/IEC 55011 Class B: from 0.15 to 30 MHz	EN/IEC 55011 Class A: from 0.15 to 30 MHz

1. Load conditions apply

Note:

- Performance Criteria 1 (PC1): No degradation of performance or loss of function is allowed when the product is operated as intended.
- Performance Criteria 2 (PC2): During the test, degradation of performance or partial loss of function is allowed. However when the test is complete the product should return operating as intended by itself.
- Performance Criteria 3 (PC3): Temporary loss of function is allowed, provided the function can be restored by manual operation of the controls.

▶ Modbus RTU

Type	Bi-directional (static and dynamic variables and parameters)
Functions	Configuration of device Start/Stop Modification of set-point parameters Monitoring of measured variables
Connection	2-wires Note: To reduce the noise use a shielded cable
Address	Default : 1 Selectable via software: range 1 – 247
Protocol	Modbus (RTU)
Factory defined data format	Data bits: 8 Parity: none Stop bit: 1 Selectable via software: parity: none (2 stop bits), odd (1 stop bit), even (1 stop bit)
Baud rate	Default: 9.6k bits/s Selectable via software: 9.6k, 19.2k, 38.4k bits/s

Performance

▶ Current / power ratings: kW and HP @ 40°C

Model	IEC rated current	220 - 240 VAC	380 - 415 VAC	440 - 480 VAC
RSBT4016EV...	16 Arms	4 kW / 5 HP	7.5 kW / 7.5 HP	-
RSBT4025EV...	25 Arms	5.5 kW / 7.5 HP	11 kW / 10 HP	-
RSBT4032EV...	32 Arms	9 kW / 10 HP	15 kW / 15 HP	-
RSBT4855CV..	55 Arms	15 kW / 20 HP	22 kW / 30 HP	30 kW / 40 HP
RSBT4870CV..	70 Arms	20 kW / 25 HP	30 kW / 40 HP	37 kW / 50 HP
RSBT4895CV..	95 Arms	22 kW / 30 HP	45 kW / 60 HP	55 kW / 75 HP

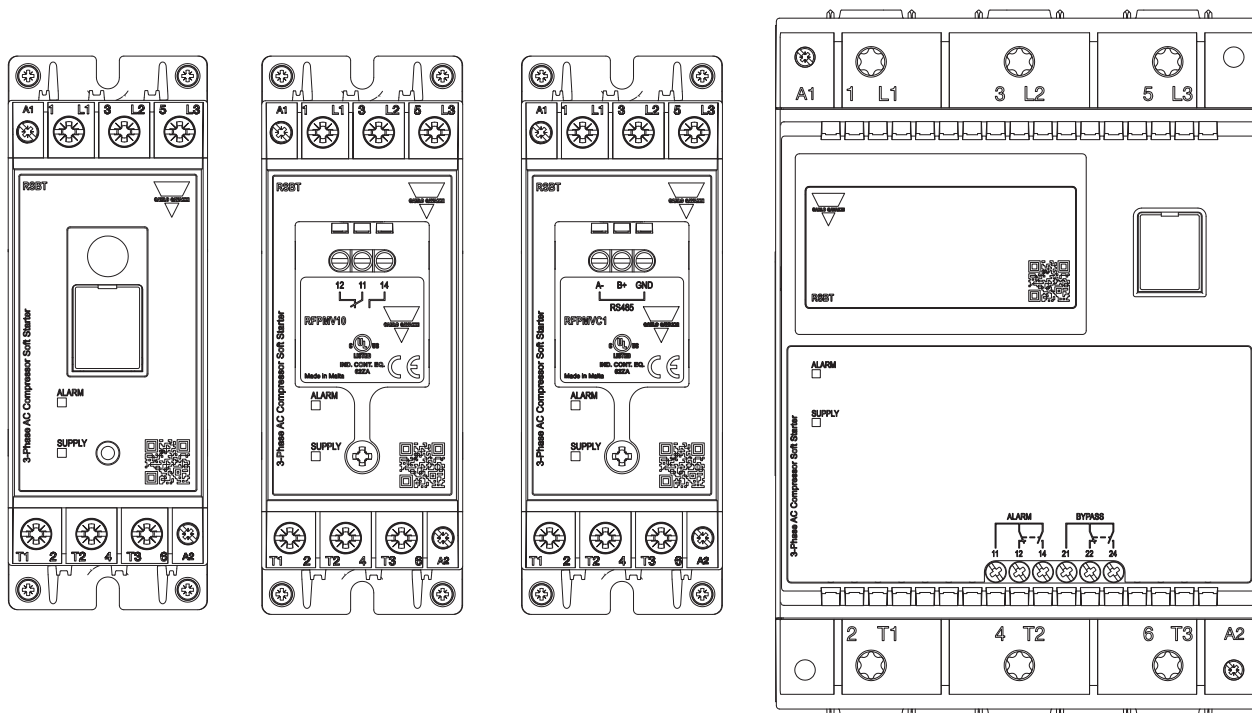
Ratings:

kW rating according to IEC/EN 60947-4-2

HP rating according to UL60947-4-2

Connection diagrams

▶ Connection configuration



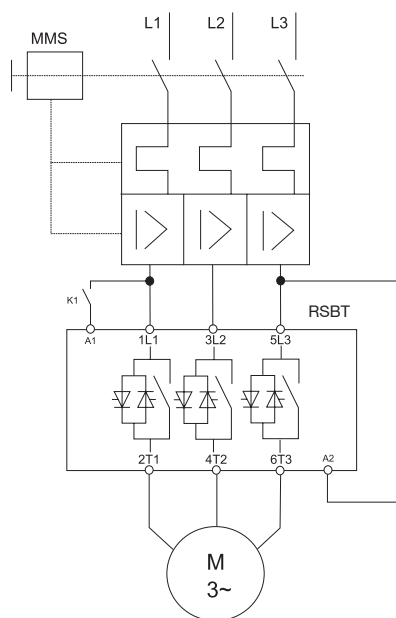
▶ Terminal markings

Marking	
1 L1, 3 L2, 5 L3	Line connections
2 T1, 4 T2, 6 T3	Load connections
A1, A2	Control voltage connections
11, 12, 14	Alarm indication
21, 22, 24	Top of ramp indication (applies to RSBT48 models only)
A (-), B (+), GND, T*	Serial communication connections

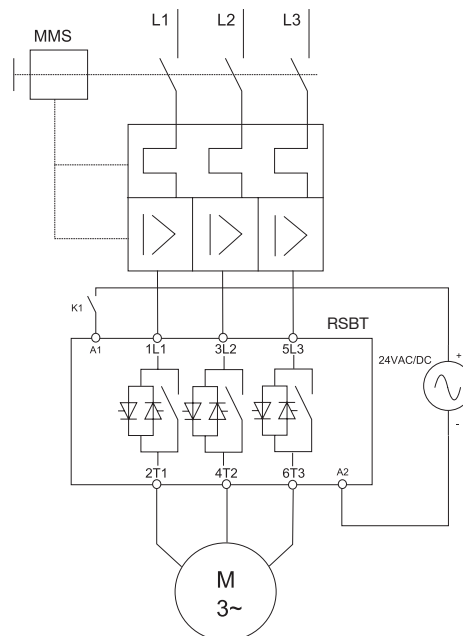
* Only for RSBT48 models

Wiring Diagrams

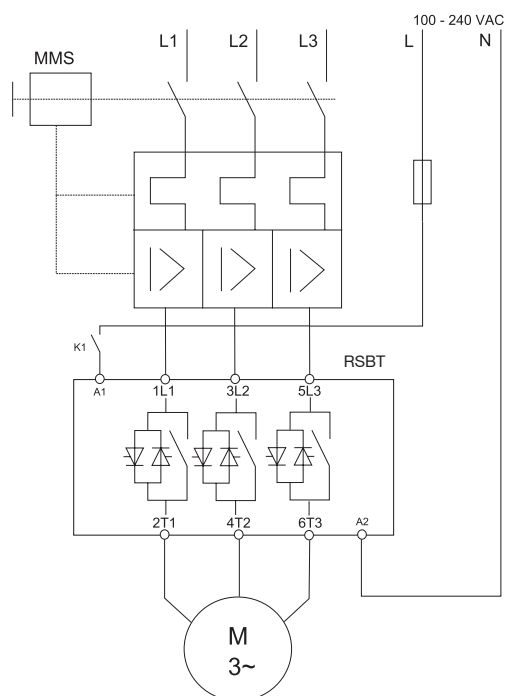
Valid up to 400 VAC



RSBT40..EV.. / RSBT48



RSBT40..FV.. / RSBT48



RSBT40..EV.. / RSBT48

Connection Specifications

Line conductors L1, L2, L3, T1, T2, T3 Acc. to EN60947-1		
	RSBT40..	RSBT48..
Flexible	2.5...10 mm ² 2.5...2 x 4 mm ²	2 x (10...50 mm ²)
Rigid (solid or stranded)	2.5...10 mm ²	2 x (10...50 mm ²)
Flexible with end sleeve (ferrule)	2.5...10 mm ²	2 x (10...50 mm ²)
UL/cUL rated data		
Rigid (stranded)	AWG 6...14	-
Rigid (solid)	AWG 10...14	-
Rigid (solid or stranded)	AWG 2x10...2x14	2 x (AWG 8...1/0)
Terminal screws	M4	M8
Maximum tightening torque	2.5 Nm (22 lb.in) with Posidrive bit 2	12 Nm (106 lb.in) with Torx TT40 bit
Stripping length	8 mm	20 mm

Secondary conductors A1, A2 Acc. to EN60998		
	RSBT40..	RSBT48..
Flexible	0.05...1.5 mm ²	0.05...1.5 mm ²
Rigid (solid or stranded)	0.05...2.5 mm ²	0.05...1.5 mm ²
Flexible with end sleeve (ferrule)	0.05...1.5 mm ²	0.05...2.5 mm ²
UL/cUL rated data		
Rigid (solid or stranded)	AWG 10...18	
Terminal screws	M3	
Maximum tightening torque	0.6Nm (5.3lb.in) with Posidrive bit 0	
Stripping length	6 mm	

Auxiliary conductors 11, 12, 21, 22, 24		
	RSBT40..	RSBT48..
Rigid (solid or stranded)	0.2...4 mm ²	0.05...2.5 mm ²
Flexible with end sleeve (ferrule)	0.2...2.5 mm ²	0.05...1.5 mm ²
UL/cUL rated data		
Rigid (solid or stranded)	AWG 24...12	AWG 30...12
Terminal screws	M2.5	M3
Maximum tightening torque	0.5 Nm (4.0 lb.in)	
Stripping length	6 mm	

Note: Use 75°C Copper (Cu) conductors

Troubleshooting

LED Status indications

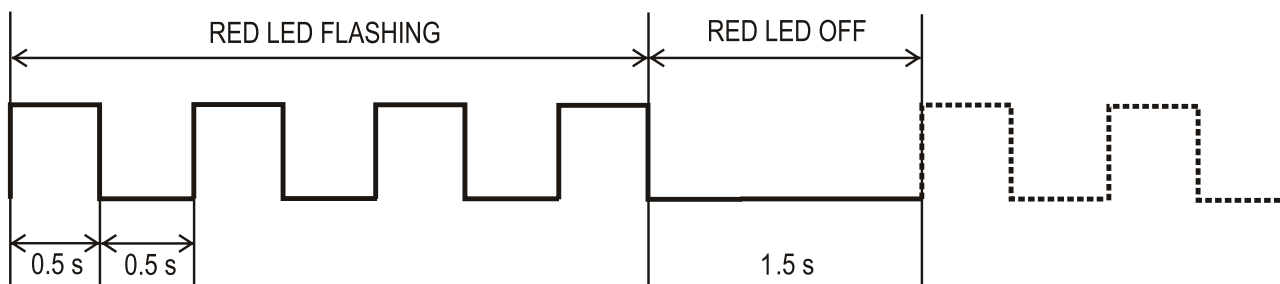
State	Supply (Green LED)	Alarm (Red LED)
Idle	ON	OFF
Ramping	ON	OFF
Bypass	ON	OFF
Alarm	ON	Flashing

Relay status indication

State	Relay contact position		
	RSBT40	RSBT48	
	Alarm (11, 12, 14)	Alarm (11, 12, 14)	Top of Ramp (21, 22, 24)
Idle	11, 14	11, 12	21, 22
Ramping	11, 14	11, 12	21, 22
Bypass	11, 14	11, 12	21, 24
Alarm	11, 12	11, 14	21, 22

Alarms

The RSBT includes a number of diagnostics and protection features each of which is signalled through a flashing sequence on the red LED.



Number of flashes	2
Alarm	Wrong phase sequence
Alarm description	If the connection to the soft starter is not done in the correct sequence (L1, L2, L3), the RSBT will trigger the wrong phase sequence alarm and the motor will not be started.
Alarm recovery period	N/A
Consecutive alarms for hard reset	1
Action to recover alarm	User intervention is required to change the wiring sequence to recover alarm.
Troubleshooting	<ul style="list-style-type: none"> • Check that wiring on L1, L2, L3 is in the correct sequence.

Number of flashes	3									
Alarm	Line voltage out of range									
Alarm description	<p>RSBT 48 models have fixed over-voltage and under voltage alarm limits. When the mains voltage is out of these limits for more than 5 seconds the line voltage out of range alarm will be triggered. RSBT40 models have auto-adjustable over-voltage and under-voltage alarm limits, that can be modified by user as well. Unless they are modified, they will automatically adjust according to the supply voltage. Once any or both are modified, the change/s will be retained until the user changes again any or both limits. When the mains voltage is out of these limits for more than 5 seconds the line voltage out of range alarm will be triggered.</p> <table border="1"> <thead> <tr> <th>Model</th> <th>Under-voltage limit</th> <th>Over-voltage limit</th> </tr> </thead> <tbody> <tr> <td>RSBT40</td> <td>187/330</td> <td>250/470</td> </tr> <tr> <td>RSBT48</td> <td>175</td> <td>560</td> </tr> </tbody> </table>	Model	Under-voltage limit	Over-voltage limit	RSBT40	187/330	250/470	RSBT48	175	560
Model	Under-voltage limit	Over-voltage limit								
RSBT40	187/330	250/470								
RSBT48	175	560								
Alarm recovery period	5 minutes									
Consecutive alarms for hard reset	4									
Action to recover alarm	The alarm will self-recover after 5 minutes from when the supply voltage is within limits.									
Troubleshooting	<ul style="list-style-type: none"> • Check supply voltage level across L1, L2, L3 terminals. • Make sure that you are not using a RSBT40 model on a supply voltage > 440 VAC. 									

Number of flashes	4
Alarm	Frequency out of range
Alarm description	If the frequency measured by the RSBT is >66.5Hz and <44.5Hz for at least 1 second, this alarm will trigger.
Alarm recovery period	5 minutes
Consecutive alarms for hard reset	N/A
Action to recover alarm	Check for any disturbance on the voltage network. The voltage waveform may be disrupted when unfiltered variable frequency drives are used.
Troubleshooting	<ul style="list-style-type: none"> • In the case where variable frequency drives are present, ensure that proper EMI filters are installed.

Number of flashes	5
Alarm	Locked rotor condition (during ramp)
Alarm description	If a current $\geq 4 \cdot I_e$ for 100 msec is detected, the RSBT will issue the locked rotor alarm.
Alarm recovery period	5 minutes
Consecutive alarms for hard reset	2
Action to recover alarm	The alarm will self-recover after 5 minutes. If the soft starter remains in alarm for more than 5 minutes (due to consecutive alarms) then a power reset (reset of L1, L2, L3) is required.
Troubleshooting	<ul style="list-style-type: none"> • Check that the RSBT model is suitably rated for the motor. • Check motor windings resistance to check if motor is damaged.

Number of flashes	6
Alarm	Ramp-up time (> 1sec)
Alarm description	The RSBT will trigger this alarm if the compressor does not reach full speed within 1 second. This alarm protects the bypass relays from switching a high current.
Alarm recovery period	5 minutes
Consecutive alarms for hard reset	2
Action to recover alarm	The alarm will self-recover after a period of 5 minutes. If the alarm is triggered twice consecutively, then the user must switch OFF and then ON the mains (L1, L2, L3) to perform a hard reset. This will reset the alarm.
Troubleshooting	<ul style="list-style-type: none"> • Check that the correct model of RSBT is being used • Check that the connections to the compressor are correct • Check for any mechanical blockage on the compressor

Number of flashes	7
Alarm	Over-temperature
Alarm description	The RSBT constantly measures the heatsink and thyristors (SCRs) temperature. If the maximum internal temperature is exceeded (for a minimum of 0.5 sec) an over-temperature alarm is triggered. This condition can be triggered by too many starts per hour, an over-load condition during starting and/or stopping or a high surrounding temperature.
Alarm recovery period	Depends on the cooling period. The RSBT will only recover if the internal temperature is within safe limits.
Consecutive alarms for hard reset	4
Action to recover alarm	The alarm will self-recover - the recovery period will depend on the cooling time required by RSBT. The higher the surrounding temperature, the longer the cooling period.
Troubleshooting	<ul style="list-style-type: none"> • Check that the specified number of starts/hr are not exceeded. • Check that the surrounding temperature around the soft starter is within limits.

Number of flashes	8
Alarm	Current not normal (during bypass)
Alarm description	The RSBT measures the current during bypass state. If the current is $>1.15 \cdot I_e$ for at least 1 second, the RSBT will trigger this alarm and switch OFF the output. This condition can result in case of an overload condition or because the RSBT model under-rated for the load it is controlling.
Alarm recovery period	5 minutes
Consecutive alarms for hard reset	2
Action to recover alarm	The alarm will self-recover after a period of 5 minutes. If the alarm is triggered twice consecutively, then the user must switch OFF and then ON the mains (L1, L2, L3) to perform a hard reset. This will reset the alarm.
Troubleshooting	<ul style="list-style-type: none"> • Check that the correct model of RSBT is being used. • Check that the connections to the compressor are correct. • Measure the current with a clamp meter on any of L1, L2, L3 phases and check if the current is within the expected levels. If the current is higher than the RSBT rated current, change the RSBT to a larger model.

Number of flashes	9
Alarm	Supply voltage unbalance
Alarm description	The RSBT monitors the voltage levels on all the phases and if it measures a difference of at least 10% between any of L1, L2, L3 for at least 5 seconds, the alarm 9 will be triggered. When the alarm is triggered the RSBT will switch OFF the output.
Alarm recovery period	5 minutes (from the moment the %voltage unbalance between all the phases is < 10%)
Consecutive alarms for hard reset	N/A
Action to recover alarm	The alarm will start a self-recovery of 5 minutes from the moment the voltages on L1, L2, L3 are within 10% of each other. If the voltage unbalance remains >10%, the RSBT will remain in alarm state.
Troubleshooting	<ul style="list-style-type: none"> • Check for any loose connections on the mains and load side. • Check voltage across L1 - L2, L2 - L3, L1 - L3 and see if there is any unbalance. • Check resistance on motor windings to see if any of the coils are damaged.

Short circuit protection

Protection Co-ordination, Type 1 vs Type 2:

Type 1 protection implies that after a short circuit, the device under test will no longer be in a functioning state. In Type 2 co-ordination the device under test will still be functional after the short circuit. In both cases, however the short circuit has to be interrupted. The fuse between enclosure and supply shall not open. The door or cover of the enclosure shall not be blown open. There shall be no damage to conductors or terminals and the conductors shall not separate from terminals. there shall be no breakage or cracking of insulating bases to the extent that the integrity of the mounting of live parts is impaired. Discharge of parts or any risk of fire shall not occur.

The product variants listed in the table hereunder are suitable for use on a circuit capable of delivering not more than 5,000 (RSBT 45mm) and 10,000 (RSBT 120mm) Symmetrical Amperes, 415 Volts (RSBT 45mm) and 480 Volts (RSBT 120mm) maximum when protected by fuses. Tests at 5,000 Arms (RSBT 45mm) and 10,000 Arms (RSBT 120mm) were performed with Class RK5 or J fuses, fast acting; please refer to the table below for maximum allowed ampere rating of the fuse. Use fuses only.

Protection co-ordination Type 1 according to UL 60947-4-2				
Part No.	Prospective short circuit current [kArms]	Max fuse size [A]	Class	Voltage [VAC]
RSBT..16....	5	40	RK5	400
RSBT..25...				
RSBT..32...				
RSBT4855CV..	10	60	J	480
RSBT4870CV..		70		
RSBT4895CV..		100	RK5	

Protection co-ordination Type 2				
Part No.	Prospective short circuit current [kArms]	Ferraz Shawmut (Mersen)		Voltage [VAC]
		Max fuse size [A]	Part number	
RSBT4855CV..	10	100	6.900CP URD22 x 58 / 100	480
RSBT4870CV..			160Ac660VAC 27 x 601 / 6.9xxCPURQ 27 x 60 / 160	
RSBT4895CV..		160		

Note: xx = 00 or 21



COPYRIGHT ©2019
Content subject to change. Download the PDF: www.gavazziautomation.com