

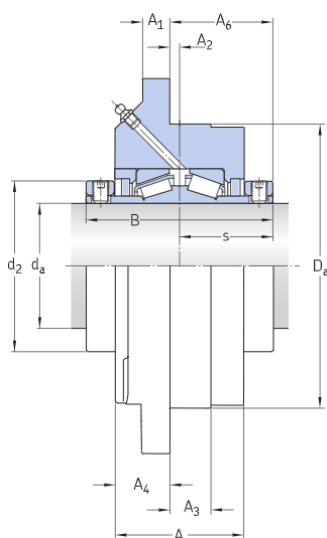
F6BRPE 115M-TRB-STH

Piloted flanged roller bearing units

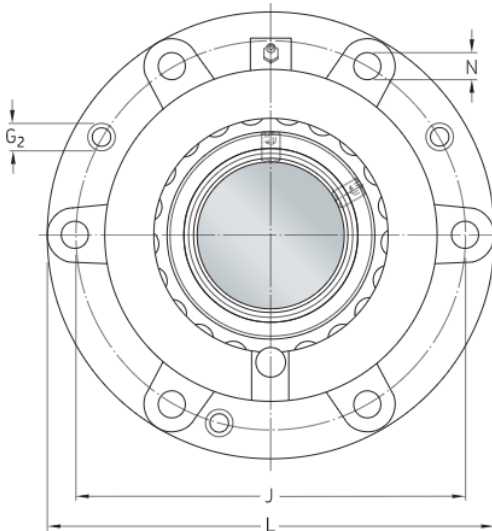
Technical specification

Metric/inch shaft	Inch
Bearing type	Tapered roller bearing
Bearing position	Locating
Locking method	Set screws
Sealing solution	Heavy-duty seals

DIMENSIONS



d_a	115 mm	Shaft diameter
d_2	155.575 mm	Collar outside diameter
D_a	260.35 mm	Hub diameter
A	117.475 mm	Housing height
A_1	25.4 mm	Housing flange height
A_2	9.525 mm	Centre line of free bearing
A_3	38.1 mm	Hub height
A_4	49.213 mm	Housing flange to machined flange face
A_6	76.2 mm	Flange face to inner ring face
B	171.45 mm	Inner ring width
J	298.45 mm	Bolt pitch diameter
L	342.9 mm	Housing outside diameter



N	20.638 mm	Bolt hole diameter
s	85.725 mm	Centre line unit to side face of inner ring
T	171.45 mm	Overall unit width

CALCULATION DATA

Basic dynamic load rating	C	454 kN
Basic static load rating	C_0	735 kN
Fatigue load limit	P_u	76.5 kN
Comparative radial load rating	C_F	125 kN
Limiting speed		1 300 r/min
Limiting value	e	0.52
Axial load factor	Y_1	1.3
Axial load factor	Y_2	1.9
Axial load factor	Y_0	1.3
Bearing mean diameter	d_m	145.113 mm
Axial holding force of the locking mechanism	P_a	31.1 kN

MASS

Mass bearing unit	41.9 kg
-------------------	---------

MOUNTING INFORMATION

Attachment bolt diameter	G	19.05 mm
Set screws		4 x 5/8-11
Tightening torque for set screws		148.58 Nm
Grease quantity for relubrication		28.3 g

Tapped hole for push-out bolt

G₂

3/4-10

Terms and conditions

By accessing and using this website / app owned and published by AB SKF (publ.) (556007-3495 · Gothenburg) ("SKF"), you agree to the following terms and conditions:

Warranty Disclaimer and Limitation of Liability

Although every care has been taken to assure the accuracy of the information on this website / app, SKF provides this information "AS IS" and DISCLAIMS ALL WARRANTIES, EXPRESS OR IMPLIED, INCLUDING, BUT NOT LIMITED TO, IMPLIED WARRANTIES OF MERCHANTABILITY AND FITNESS FOR A PARTICULAR PURPOSE. You acknowledge that your use of this website / app is at your sole risk, that you assume full responsibility for all costs associated with use of this website / app, and that SKF shall not be liable for any direct, incidental, consequential, or indirect damages of any kind arising out of your access to, or use of the information or software made available on this website / app. Any warranties and representations in this website / app for SKF products or services that you purchase or use will be subject to the agreed upon terms and conditions in the contract for such product or service. Further, for non-SKF websites / apps that are referenced in our website / app or where a hyperlink appears, SKF makes no warranties concerning the accuracy or reliability of the information in these websites / apps and assumes no responsibility for material created or published by third parties contained therein. In addition, SKF does not warrant that this website / app or these other linked websites / apps are free from viruses or other harmful elements.

Copyright

Copyright in this website / app copyright of the information and software made available on this website / app rest with SKF or its licensors. All rights are reserved. All licensed material will reference the licensor that has granted SKF the right to use the material. The information and software made available on this website / app may not be reproduced, duplicated, copied, transferred, distributed, stored, modified, downloaded or otherwise exploited for any commercial use without the prior written approval of SKF. However, it may be reproduced, stored and downloaded for use by individuals without prior written approval of SKF. Under no circumstances may this information or software be supplied to third parties.

This website /app includes certain images used under license from Shutterstock, Inc.

Trademarks and Patents

All trademarks, brand names, and corporate logos displayed on the website / app are the property of SKF or its licensors, and may not be used in any way without prior written approval by SKF. All licensed trademarks published on this website / app reference the licensor that has granted SKF the right to use the trademark. Access to this website / app does not grant to the user any license under any patents owned by or licensed to SKF.

Changes

SKF reserves the right to make changes or additions to this website / app at any time.