

## Cable Reels

### Heavy Duty Industrial Weatherproof Reels

# HUBBELL

#### Features

- Ratchet lock can be disengaged in field
- Optional pivot base allows 340° rotation of reel
- Multi-position roller guide can be mounted in four different positions

#### Ordering Information

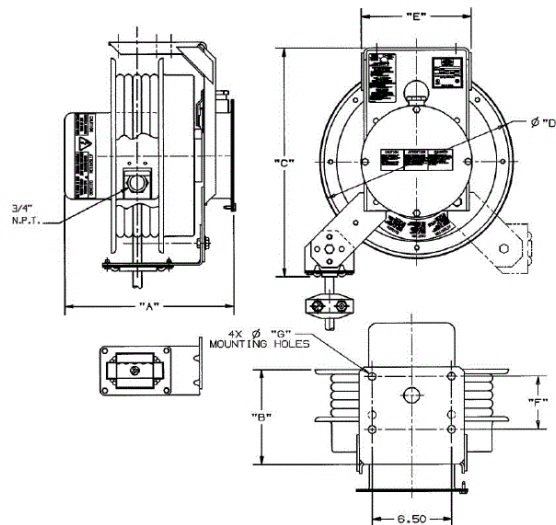
Description	Color	UPC Number	Catalog Number
16" yellow weatherproof reel	Yellow	783585209203	HBL501242W

#### Listings

UL 355 and CSA  
C22.2 No. 308

#### Specifications

Amperage	16
Volts AC	600
Cable Length Feet (m)	50 (15.2)
Cable Type	12/4 SOW-A
Weight Lbs. (kg)	86 (39.0)



#### Online Resources

Customer Sales Drawings  
eCatalog  
Installation Instructions

Dimensions in Inches (mm)

Hubbell Wiring Device-Kellems • Hubbell Incorporated (Delaware) • 40 Waterview Drive • Shelton, CT 06484

Phone (800) 288-6000 • Fax (800) 255-1031 • Specifications subject to change without notice.

