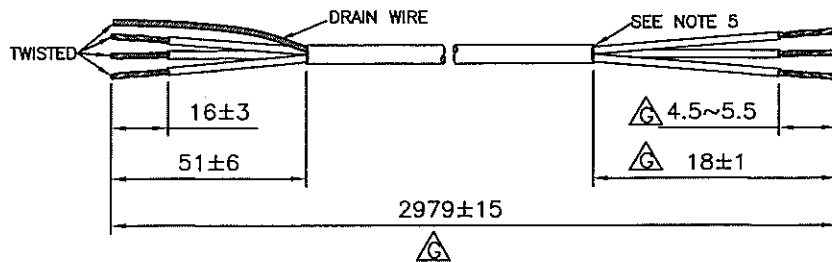


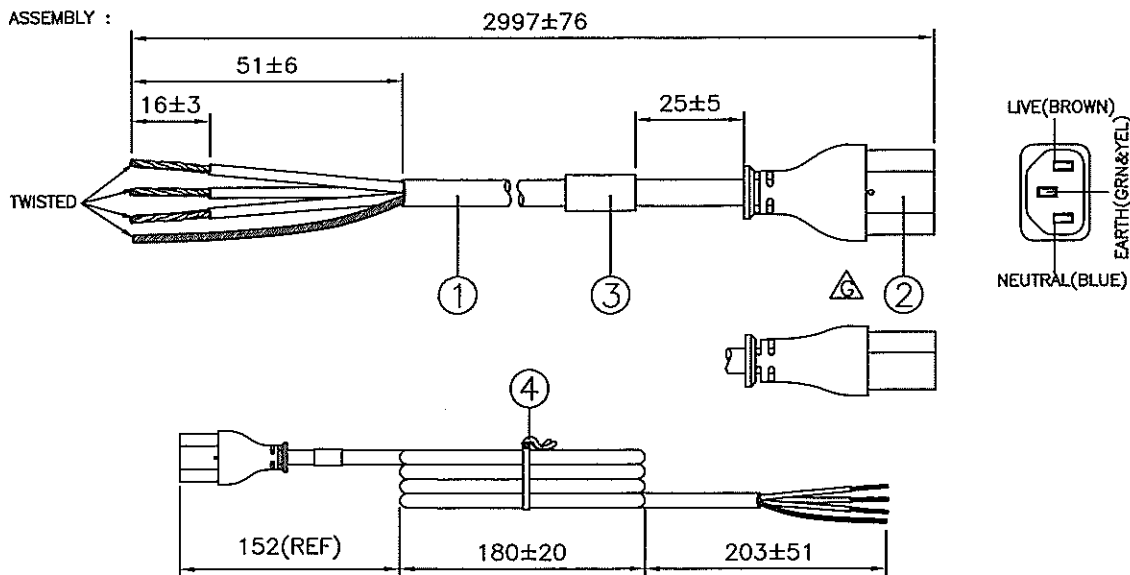
DRAWING NUMBER: 1103463
 REVISION: G

CABLE CUTTING
 CABLE SOURCE :

- 1. BAO HING(SHENZHEN).



ASSEMBLY :



Notes :

1. ALL DIMENSIONS IN mm.
2. CONNECTOR MARKING : REFER TO MARKING DRAWING NO. : VC-1704.
3. CONNECTOR DETAILS : REFER TO PRODUCT DRAWING NO. : C-0362.
4. LABEL DETAILS : REFER TO LABEL DWG. NO. : VL-0234.
5. DRAIN WIRE OR SHIELD WIRE MUSTN'T TO BE CONNECTED TO ANY CONNECOTR POLE, BUT ON CORDEND SAME LENGTH DIMENSION AS THE OTHER CONDUCTORS.
6. CARTON BOX MUST HAVE A LABEL/STAMP SAYING : "THIS PACKAGE CONTAINS CORDS HAVING GROUNDING CONDUCTOR WITH GREEN/YELLOW COLOUR INSULATION, NEUTRAL CONDUCTOR WITH BLUE COLOUR INSULATION AND LIVE CONDUCTOR WITH BROWN COLOUR INSULATION".
7. THIS PART CAN BE MANUFACTURED AT ANY LOCATION WHICH HAS SAFETY APPROVAL.
8. THIS PART ONLY HAS UL/C-UL APPROVAL.

REV.	ECR REF. NO.	DESCRIPTION	DATE
F	180657	ADD IN EPE FOAM '904335' AS AN ALTERNATE MATERIAL ON PAGE 2.	28/11/18
G	210142	PER ECN005-20 CHANGE THE CONNECTOR AND PVC ITEM NO. FROM '386A & 4100098' TO 'VNBC13S-4 & 4100017' ON PAGE 1. UPDATE THE STRIPPING DIMENSIONS OF CONNECTOR AS SHOWN ON PAGE 1. UPDATE PRODUCT DRAWING AND MARKING NO. FROM 'C-0230 & VC-0157' TO 'C-0362 & VC-1704' AT NOTE 2 & 3 ON PAGE 1. REMOVED CABLE SOURCE OF VOLEX-JEM, AND TONGYUAN ON PAGE 1. ADD NOTE 8 ON PAGE 1. CHANGE THE OVERALL CUTTING LENGTH FROM '2977±15' TO '2979±15' ON PAGE 1. CHANGE TITLE FROM 'RoHS COMPLIANT' TO 'CS-LF0001' ON PAGE 1.	29/03/21

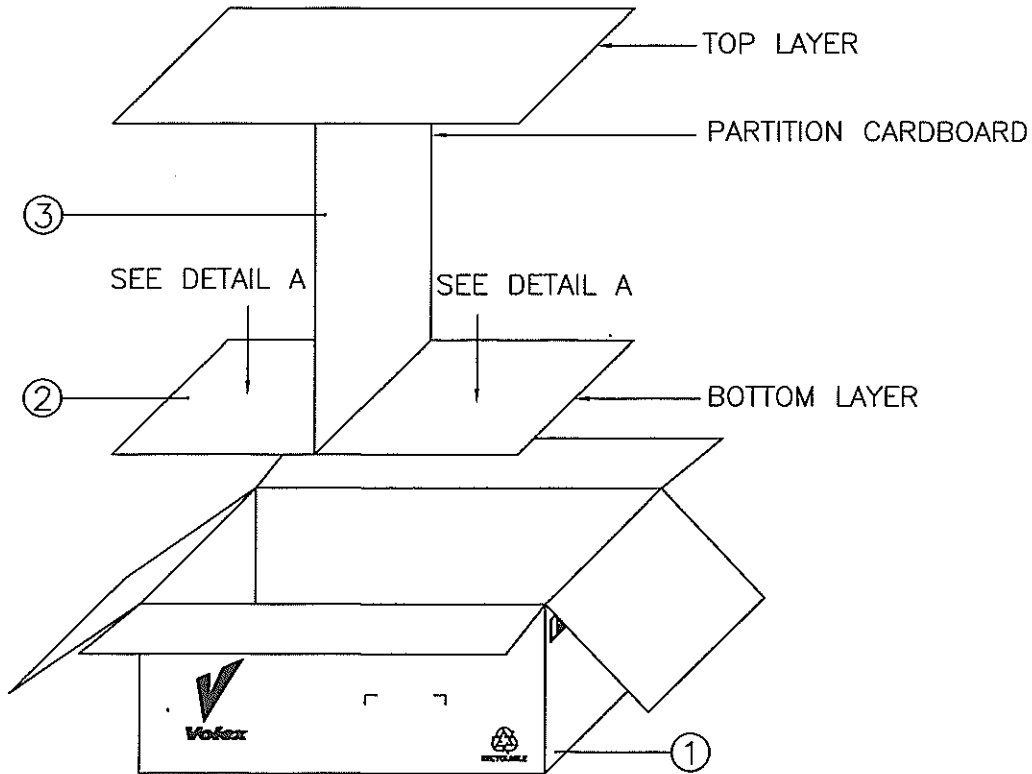
4	8" PE TIE BLK	6310062	1
3	PRINTED LABEL	VL-0234	1
	IP40G NL792B BLK	4100017	-
2	MOLDED CONNECTOR VNBC13S (13A 250V)	VNBC13S-4	1
1	SJT 16/3 60°C BBGY BLK LF (AL/MY)	1910227	2.979M

S/N	DESCRIPTION	ITEM NUMBER	QTY
TITLE : NORTH-AMERICAN WIRING HARNESS (CS-LF0001)		PAGE : 1/2	
CUSTOMER : VIS/VOLEX INC		HG09-140-05	
CUSTOMER PART NUMBER : 17621 1Ø B1		DWG. TYPE	
F/G CODE : 17621 1Ø B1		SPEC NO.:	OED

SALES : N.A.	QA : N.A.	ENGRG : <i>Peng</i>	CHECKED BY : <i>fam/ian</i>	DRAWN BY : <i>FAN LIAN</i>	Volex (Asia) Pte Ltd <small>Confidential property of Volex. Information contained herein shall not be disclosed to others, reproduced or used for any other purposes except as authorized in writing by an authorized official of Volex Asia</small>
DATE : N.A.	DATE : N.A.	DATE : 7/4/21	DATE : 07/04/21	DATE : 29/03/21	

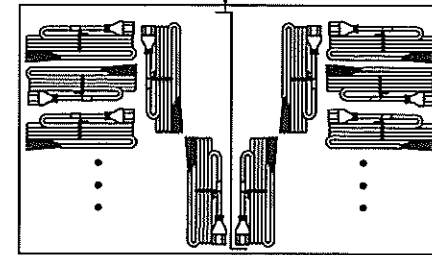
DRAWING NUMBER :

1103463



PACKAGING INSTRUCTION

1. 2 COMPARTMENTS PER CARTON, 25 PCS PER COMPARTMENT.
2. PLUG'S DIRECTION TO BE IN ALTERNATE ARRANGEMENT WHEN PACKING.
3. PACKAGING : 50 PCS PER CARTON.



DETAIL A

3	CARTON PAPER 415X245MM	901023	0.02
2	EPE FOAM 550X315X3MM	904335	OR
	CARTON PAPER 550X305MM	901024	0.04
1	LONG CARTON 560X330X250MM	901011	0.02
S/N	DESCRIPTION	ITEM NUMBER	QTY

REVISION	G	TITLE : PACKAGING SPEC.
PAGE	2/2	
SCALE	N.T.S.	

REFERENCE :	<i>Volex (Asia) Pte Ltd</i>
DESCRIPTION : LONG CARTON	
<small>Confidential property of Volex. Information contained herein shall not be disclosed to others, reproduced or used for any other purposes except as authorized in writing by an authorized official of Volex Asia.</small>	

NOTE :

- 1.) ALL DIMENSIONS IN mm.