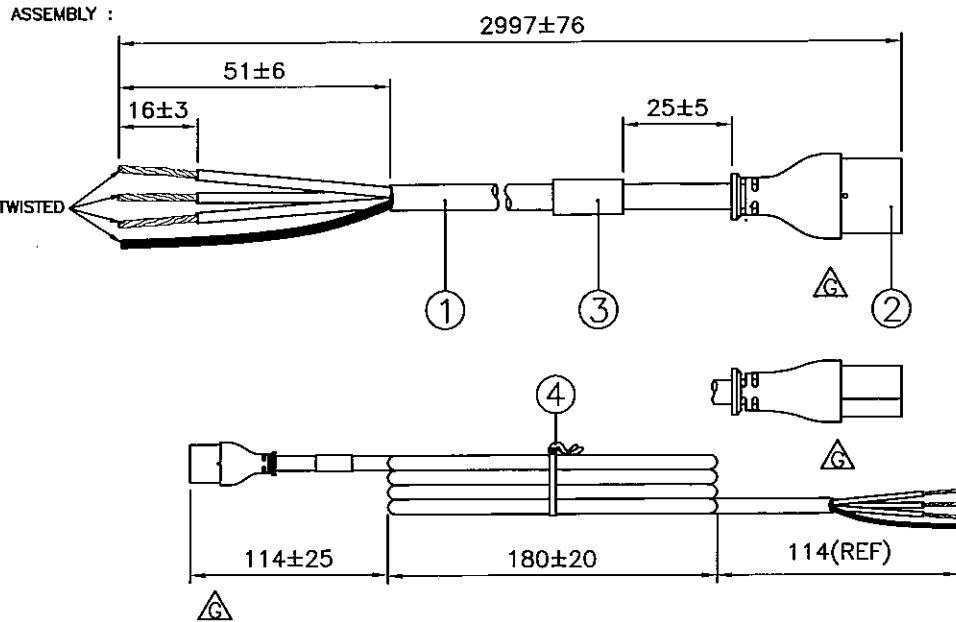
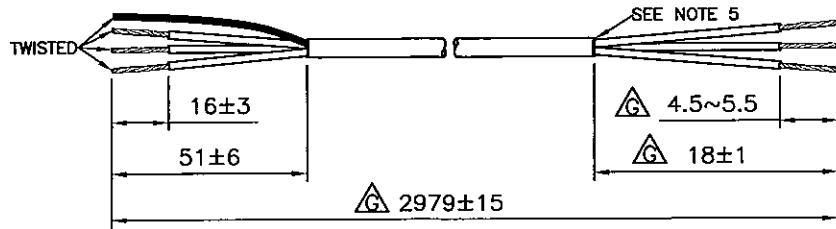


DRAWING NUMBER: 1103357  
 REVISION: G

CABLE CUTTING  
 CABLE SOURCE :  
 1. VOLEX(TA HSING).  
 2. BAO HING(SHENZHEN).



Notes :

1. ALL DIMENSIONS IN mm.
2. CONNECTOR MARKING : REFER TO MARKING DRAWING NO. : VC-1704.
3. CONNECTOR DETAILS : REFER TO PRODUCT DRAWING NO. : C-0362.
4. LABEL DETAILS : REFER TO LABEL DWG. NO. : VL-0234.
5. DRAIN WIRE OR SHIELD WIRE MUSTN'T TO BE CONNECTED TO ANY CONNECTOR POLE.
6. CARTON BOX MUST HAVE A LABEL/STAMP SAYING : " THIS PACKAGE CONTAINS CORDS HAVING : GROUNDING CONDUCTOR WITH GREEN/YELLOW COLOUR INSULATION, NEUTRAL CONDUCTOR WITH BLUE COLOUR INSULATION AND LIVE CONDUCTOR WITH BROWN COLOUR INSULATION ".
7. THIS PART CAN BE MANUFACTURED AT ANY LOCATION WHICH HAS SAFETY APPROVAL.
8. THIS PART ONLY HAS UL/C-UL APPROVAL.

REV.	ECR REF. NO.	DESCRIPTION	DATE
F	180657	ADD IN EPE FOAM '904335' AS ALTERNATE MATERIAL FOR THE TOP AND BOTTOM LAYER PADS ON PAGE 2.	03/12/18
G	210142	CHANGE ITEM NO. FROM '386A & 4100098' TO VNBC13S-4 & 4100017' ON PAGE 1. UPDATE PRODUCT DRAWING AND MARKING NO. FROM 'C-0230 & VC-0157' TO 'C-0362 & VC-1704' IN NOTE 2 & NOTE 3 AND ADD NOTE 8 ON PAGE 1. CHANGE CUTTING LENGTH DIMENSIONS FM. '6~7 & 17~20 & 2977±15' TO '4.5~5.5, 18±1 & 2979±15' ON PAGE 1. CHANGE S/N 1 QTY FROM '2.977M' TO '2.979M' ON PAGE 1. REMOVE CABLE SOURCE VOLEX-J & TY ON PAGE 1. ADD VOLEX (TA HSING) CABLE SOURCE ON PAGE 1. UPDATE BINDING DWG. AS SHOWN ON PAGE 1 & 2.	14/04/21

4	8" PE TIE BLK	6310062	1
3	PRINTED LABEL	VL-0234	1
2	IP40G NL792B BLK	4100017	-
2	MOLDED CONNECTOR VNBC13S (10A 250V)	VNBC13S-4	1
1	SVT 18/3 60°C BBGY NM-ABS BLK		
1	AL/MY PVC LEAD FREE	1810196	2.979M
S/N	DESCRIPTION	ITEM NUMBER	QTY

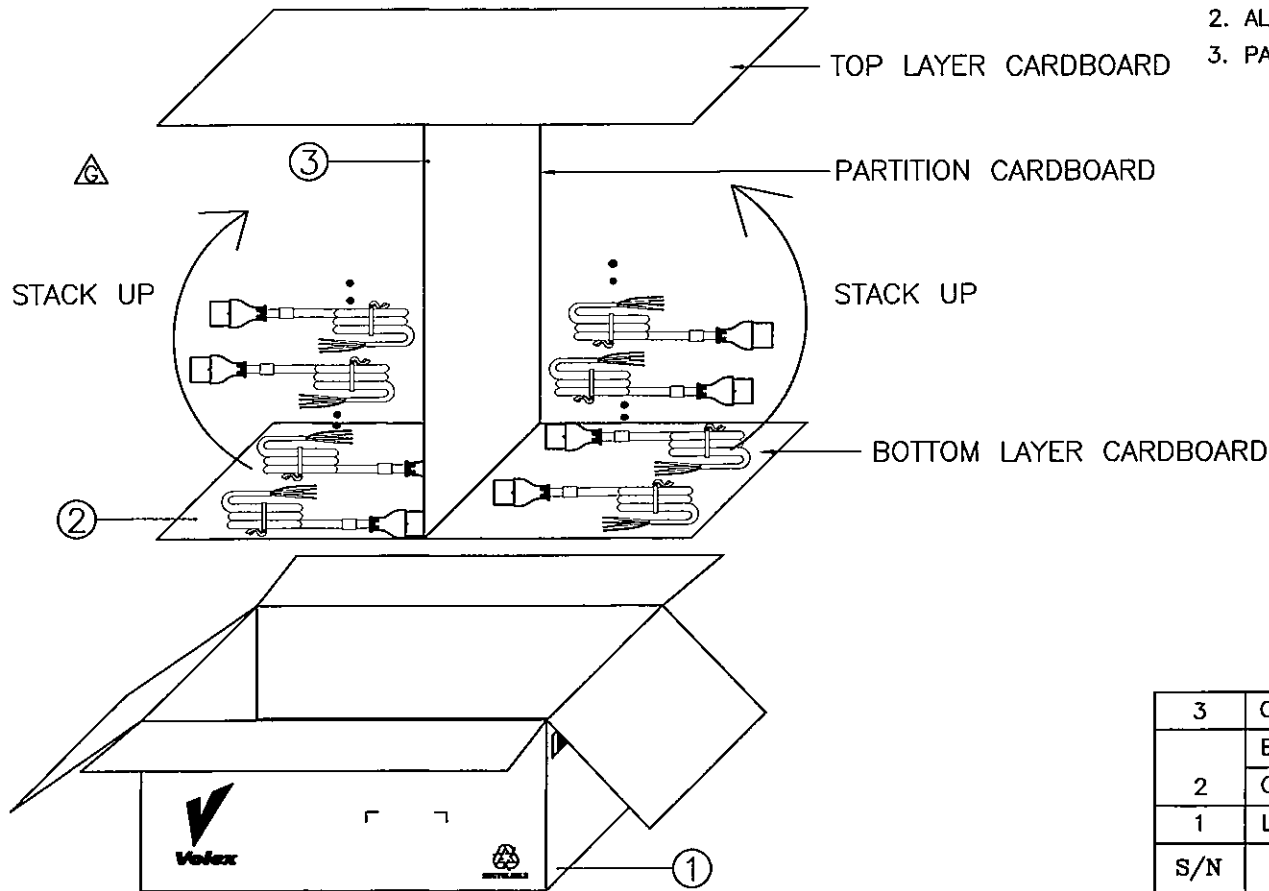
TITLE : NORTH-AMERICAN WIRING HARNESS (CS-LF0001)		PAGE : 1/2	
CUSTOMER : VIS/VOLEX INC		HG09-048-05	
CUSTOMER PART NUMBER : 17750 10 B1		DWG. TYPE	
F/G CODE : 17750 10 B1		SPEC NO.: ---	
OED			
SALES : N.A.	QA : N.A.	ENGRG : <i>Ceng Ivan</i>	CHECKED BY : <i>Ivan</i>
DATE : N.A.	DATE : N.A.	DATE : 15/4/21	DATE : 14/04/21
DRAWN BY : IVAN		DATE : 14/04/21	
<b>Volex (Asia) Pte Ltd</b>			
Confidential property of Volex. Information contained herein shall not be disclosed to others, reproduced or used for any other purposes except as authorized in writing by an authorized official of Volex Asia.			

DRAWING NUMBER :

1103357

**PACKAGING INSTRUCTION**

1. 2 COMPARTMENTS PER CARTON, 40 PCS PER COMPARTMENT.
2. ALL CORDS LAYOUT AS SHOWN.
3. PACKAGING : 80 PCS PER CARTON.



**NOTE :**

- 1.) ALL DIMENSIONS IN mm.

3	CARTON PAPER 415X245MM	901023	0.0125
	EPE FOAM 550X315X3MM	904335	OR
2	CARTON PAPER 550X305MM	901024	0.025
1	LONG CARTON 560X330X250MM	901011	0.0125
S/N	DESCRIPTION	ITEM NUMBER	QTY

REVISION	G	TITLE : <b>PACKAGING SPEC.</b>
PAGE	2/2	
SCALE	N.T.S.	
REFERENCE : <b>DESCRIPTION : CARTON BOX</b>		<b>Volex (Asia) Pte Ltd</b> <small>Confidential property of Volex. Information contained herein shall not be disclosed to others, reproduced or used for any other purposes except as authorized in writing by an authorized official of Volex Asia.</small>