



# ESSENTIAL SERIES

GENERAL PURPOSE LED BULBS

## KT-LED7MR16-NS-9XX

REPLACEMENT LAMP

### DESCRIPTION

7W MR16 Lamp | 2700–5000K |  $\geq 90$  CRI | Narrow Spot Light



<b>LAMP TYPE:</b> MR16
<b>BASE TYPE:</b> GU5.3
<b>WATTAGE:</b> 7W
<b>COLOR TEMPERATURE:</b> 2700–5000K
<b>COLOR RENDERING INDEX (CRI):</b> $\geq 90$
<b>WARRANTY:</b> 3 Years
<b>RATED LIFE:</b> L70 (25,000 Hours)



### TYPICAL APPLICATIONS

- Track-lighting
- Display
- Under-cabinet
- Outdoor landscaping (with suitable protection from the elements)

### PRODUCT FEATURES

- Energy efficient, 80%+ energy savings over legacy equivalents
- Lower heat generation than legacy equivalents
- Smooth, uniform dimming
- Precision-crafted, full-face optics for precise beam angle control
- Durable plastic housing lowers the risk of breakage
- HiCRI LEDs offer enhanced color rendering vs. 80 CRI LEDs, providing ideal clarity, representation, uniformity of illuminated area/objects
- Long life minimizes replacement and maintenance costs
- Compatible with Keystone low voltage transformers
- Suitable for damp locations
- Operating temperature range  $-4^{\circ}\text{F}/-20^{\circ}\text{C}$  to  $95^{\circ}\text{F}/35^{\circ}\text{C}$
- PF > 0.90
- Rated for open, recessed, and enclosed fixtures
- ANSI compliant construction ensures fitment for intended applications
- UL Listed
- Meets Energy Star requirements
- Complies with Part 15 of FCC
- Title 20 compliant
- Title 24 JA8 compliant (excluding 4000K and 5000K lamps)

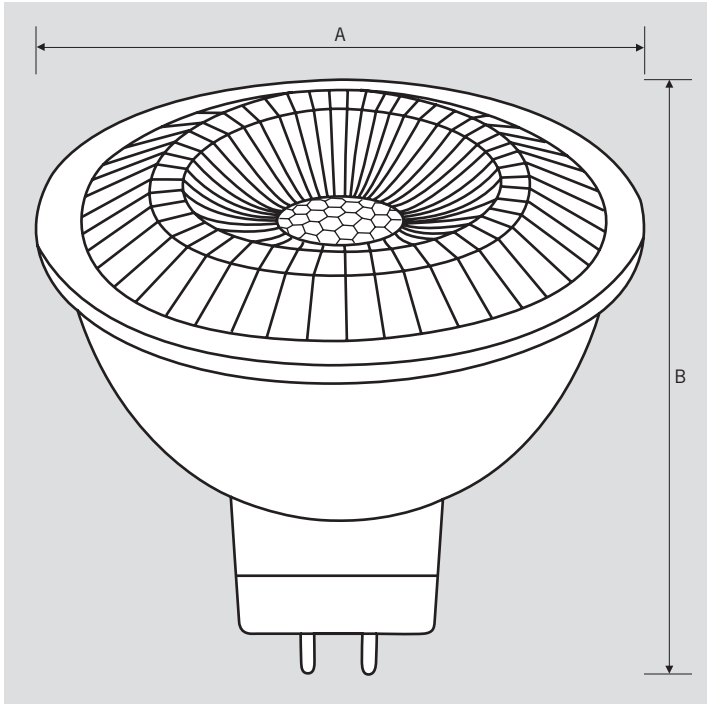
### ELECTRICAL AND PERFORMANCE SPECIFICATIONS

Keystone Catalog Number	Description	Color Temp	Input Voltage	Rated Lamp Wattage	Legacy Equivalent Wattage	Lumens	Efficacy	CRI	Base Type	Beam Angle	Dimmable
KT-LED7MR16-NS-927	MR16 bulb; Narrow spot light; Dimmable	2700K	12V	7W	50W halogen	500 lm	71 lm/W	$\geq 90$	GU5.3	25°	Yes
KT-LED7MR16-NS-930	MR16 bulb; Narrow spot light; Dimmable	3000K	12V	7W	50W halogen	500 lm	71 lm/W	$\geq 90$	GU5.3	25°	Yes
KT-LED7MR16-NS-940	MR16 bulb; Narrow spot light; Dimmable	4000K	12V	7W	50W halogen	500 lm	71 lm/W	$\geq 90$	GU5.3	25°	Yes
KT-LED7MR16-NS-950	MR16 bulb; Narrow spot light; Dimmable	5000K	12V	7W	50W halogen	500 lm	71 lm/W	$\geq 90$	GU5.3	25°	Yes

## KT-LED7MR16-NS-9XX

### REPLACEMENT LAMP

#### PHYSICAL CHARACTERISTICS



#### LAMP DIMENSIONS

A (Diameter)	1.97"
B (Length)	1.91"

BASE TYPE: GU5.3

#### RATED LIFE

L70 (Hours)	25,000
-------------	--------

#### PACKAGING

Carton Quantity	60 pcs
Carton Dimensions	12.95" × 10.91" × 6.54"
Carton Weight	8.6 lbs

#### ORDERING INFORMATION

ORDER CODE	CARTON QUANTITY	ITEM STATUS
KT-LED7MR16-NS-927	60 pcs	Active
KT-LED7MR16-NS-930	60 pcs	Active
KT-LED7MR16-NS-940	60 pcs	Active
KT-LED7MR16-NS-950	60 pcs	Active

#### CATALOG NUMBER BREAKDOWN

# KT-LED7MR16-NS-9XX

1 2 3 4 5 6 7 8

- 1 Keystone Technologies
- 2 LED Lamp
- 3 Wattage
- 4 Multi-Faceted Reflector
- 5 Lamp Diameter (16/8")
- 6 Narrow Spot Light
- 7 900 Series
- 8 Color Temperature