



ESSENTIAL SERIES

GENERAL PURPOSE LED BULBS

KT-LED7MR16-VNS-9XX

REPLACEMENT LAMP

DESCRIPTION

7W MR16 Lamp | 2700–5000K | ≥ 90 CRI | Very Narrow Spot Light



LAMP TYPE: MR16
BASE TYPE: GU5.3
WATTAGE: 7W
COLOR TEMPERATURE: 2700–5000K
COLOR RENDERING INDEX (CRI): ≥ 90
WARRANTY: 3 Years
RATED LIFE: L70 (25,000 Hours)



TYPICAL APPLICATIONS

- Track-lighting
- Display
- Under-cabinet
- Outdoor landscaping (with suitable protection from the elements)

PRODUCT FEATURES

- Energy efficient, 80%+ energy savings over legacy equivalents
- Lower heat generation than legacy equivalents
- Smooth, uniform dimming
- Precision-crafted, full-face optics for precise beam angle control
- Durable plastic housing lowers the risk of breakage
- HiCRI LEDs offer enhanced color rendering vs. 80 CRI LEDs, providing ideal clarity, representation, uniformity of illuminated area/objects
- Long life minimizes replacement and maintenance costs
- Compatible with Keystone low voltage transformers
- Suitable for damp locations
- Operating temperature range $-4^{\circ}\text{F}/-20^{\circ}\text{C}$ to $95^{\circ}\text{F}/35^{\circ}\text{C}$
- PF > 0.90
- Rated for open, recessed, and enclosed fixtures
- ANSI compliant construction ensures fitment for intended applications
- UL Listed
- Meets Energy Star requirements
- Complies with Part 15 of FCC
- Title 20 compliant
- Title 24 JA8 compliant (excluding 4000K and 5000K lamps)

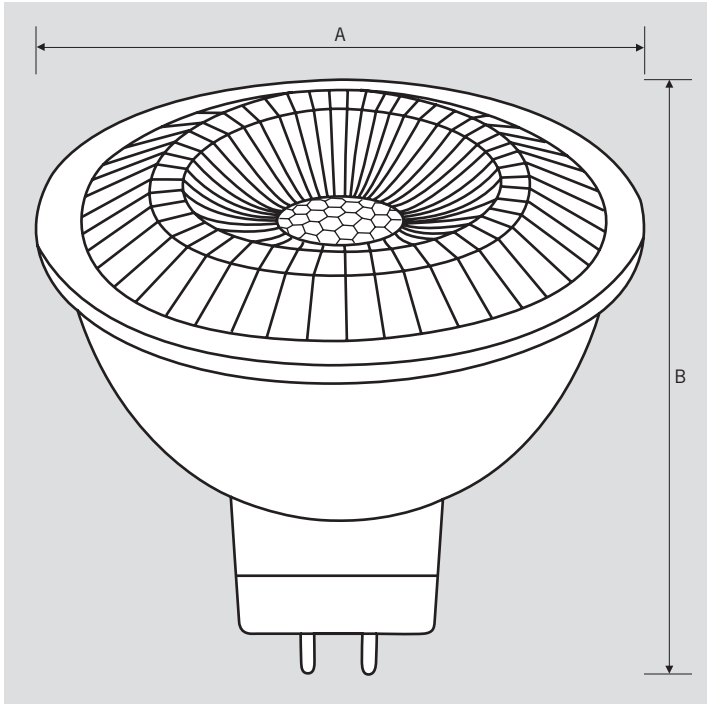
ELECTRICAL AND PERFORMANCE SPECIFICATIONS

Keystone Catalog Number	Description	Color Temp	Input Voltage	Rated Lamp Wattage	Legacy Equivalent Wattage	Lumens	Efficacy	CRI	Base Type	Beam Angle	Dimmable
KT-LED7MR16-VNS-927	MR16 bulb; Very narrow spot light; Dimmable	2700K	12V	7W	50W halogen	500 lm	71 lm/W	≥ 90	GU5.3	15°	Yes
KT-LED7MR16-VNS-930	MR16 bulb; Very narrow spot light; Dimmable	3000K	12V	7W	50W halogen	500 lm	71 lm/W	≥ 90	GU5.3	15°	Yes
KT-LED7MR16-VNS-940	MR16 bulb; Very narrow spot light; Dimmable	4000K	12V	7W	50W halogen	500 lm	71 lm/W	≥ 90	GU5.3	15°	Yes
KT-LED7MR16-VNS-950	MR16 bulb; Very narrow spot light; Dimmable	5000K	12V	7W	50W halogen	500 lm	71 lm/W	≥ 90	GU5.3	15°	Yes

KT-LED7MR16-VNS-9XX

REPLACEMENT LAMP

PHYSICAL CHARACTERISTICS



LAMP DIMENSIONS

A (Diameter)	1.97"
B (Length)	1.91"

BASE TYPE: GU5.3

RATED LIFE

L70 (Hours)	25,000
-------------	--------

PACKAGING

Carton Quantity	60 pcs
Carton Dimensions	12.95" × 10.91" × 6.54"
Carton Weight	8.6 lbs

ORDERING INFORMATION

ORDER CODE	CARTON QUANTITY	ITEM STATUS
KT-LED7MR16-VNS-927	60 pcs	Active
KT-LED7MR16-VNS-930	60 pcs	Active
KT-LED7MR16-VNS-940	60 pcs	Active
KT-LED7MR16-VNS-950	60 pcs	Active

CATALOG NUMBER BREAKDOWN

KT-LED7MR16-VNS-9XX

1 2 3 4 5 6 7 8

- 1 Keystone Technologies
- 2 LED Lamp
- 3 Wattage
- 4 Multi-Faceted Reflector
- 5 Lamp Diameter (16/8")
- 6 Very Narrow Spot Light
- 7 900 Series
- 8 Color Temperature