

ROTARY UNION

9000 SERIES

GENERAL PURPOSE



**MODELS
ADDED**

Operating Parameters

MEDIA
Steam, Hot Oil, Water
PRESSURE*
250 psi (Water), 175 psi (Steam), 100 psi (Hot Oil)
TEMPERATURE*
600° F (Hot Oil), 378° F (Steam)
SPEED*
700 RPM
THREADS
<ul style="list-style-type: none"> • 1/4 Inch to 3 Inch NPT • BSP Threads Available • Flanged
MATERIAL
<ul style="list-style-type: none"> • Cast Iron Housing with Stainless Steel or Plated Sleeve • Steel Shaft
CONFIGURATION OPTIONS
Mono Flow and Dual Flow Configurations Available

* See Performance Charts For Details

FEATURES & BENEFITS

Advanced Sealing System

- The Bellows Sealing System provides superior sealing performance throughout the wear life of the Rotary Union.

Superior Alignment

- Dual bearings available in all sizes over 1 1/4" to provide superior alignment.

Resists Debris Build-Up

- Compared to seals utilizing springs, the 9000 series bellows sealing system is more resistant to debris in contaminated media, which reduces clogging.

Easy Mounting

- The flange attaches directly to the machine journal, providing inherently concentric mounting, minimizing overhang, and partially relieving bearing load to increase service life.

Part Numbers - 9000 Series Rotary Unions • Mono Flow

Nominal Pipe Size	Shaft Thread (A)	Right Hand Thread			Left Hand Thread		
		Part Number	Description	Repair Cartridge	Part Number	Description	Repair Cartridge
1/4	1/4 NPT	730432C	R030P	441647C	730431C	L030P	441646C
	9/16-18 MT	730434C	R024P	441647C	730433C	L024P	441648C
3/8		730436C	R024P	441651C	730435C	L024P	441650C
	3/8 NPT	730444C	R100P	441659C	730443C	L100P	441658C
	5/8-18 MP	730446C	R100P	441661C	730445C	L124P	441660C
1/2	1/2 NPT	730396C	R200P	441630C	730395C	L200P	441629C
	3/4-16 MT	730402C	R224P	441634C	730401C	L224P	441633C
	7/8-14 MT	730410C	R224P	441636C	730409C	L224P	441635C
	3/4-14 MT	730639C	R224P	441632C	730638C	L224P	441631C
3/4	7/8-16 MT	730641C	R224P	441709C	730640C	L224P	441708C
	3/4 NPT	730332C	R300P	441597C	730331C	L300P	441596C
1	1-14 MT	730338C	R324P	441599C	730337C	L324P	441598C
	1 NPT	730303C	R400P	441579C	730302C	L400P	441578C
1-1/4	1-1/4-12 MT	730309C	R424P	441581C	730308C	L424P	441580C
	1-1/4 NPT	440320C	R9500P	471460C	440319C	L9500P	471459C
	1-5/8-8 MT	440326C	R9524P-3	471462C	440325C	L9524P-3	471461C
	1-5/8-12 MT	440324C	R9524P-2	471464C	440323C	L9524P-2	471463C
1-1/2	1-1/2 NPT	440144C	R9600P	471364C	440143C	L9600P	471363C
	2-8 MT	440148C	R9624P-3	471368C	440147C	L9624P-3	471367C
	2-12 MT	440152C	R9624P-2	471374C	440151C	L96240P-2	471373C
2	2 NPT	440465C	R97004P	471554C	440464C	L9700P	471553C
2-1/2	2-1/2 NPT	440535C	R9800P	471556C	440534C	L9800P	471555C
3	3 NPT	440493C	R9900P	471558C	440492C	L9900P	471557C
	3-1/2-8 MT	440499C	R9924P-3	471644C	440498C	L9924P-3	471643C

Part Numbers - 9000 Series Rotary Unions • Dual Flow

Nominal Pipe Size	Shaft Thread (A)	Right Hand Thread			Left Hand Thread		
		Part Number	Description	Repair Cartridge	Part Number	Description	Repair Cartridge
1/2	1/2 NPT	730398C	R200S	441630C	730397C	L200S	441629C
	3/4-16 MT	730404C	R224S	441634C	730403C	L224S	441633C
	7/8-14 MT	730412C	R224S	441636C	730411C	L224S	441635C
3/4	3/4 NPT	730334C	R300S	441597C	730333C	L300S	441596C
	1-14 MT	730340C	R324S	441599C	730339C	L324S	441598C
1	1 NPT	730305C	R400S	441579C	730304C	L400S	441578C
	1-1/4-12 MT	730311C	R424S	441581C	730310C	L424S	441580C
1-1/4	1-1/4 NPT	440322C	R9500S	471460C	440321C	L9500S	471459C
	1-5/8-8 MT	440330C	R9524S-3	471462C	440329C	L9524S-3	471461C
	1-5/8-12 MT	440328C	R9524S-2	471464C	440327C	L9524S-2	471463C
1-1/2	1-1/2 NPT	440146C	R9600S	471364C	440145C	L9600S	471363C
	2-8 MT	440150C	R9624S-3	471368C	440149C	L9624S-3	471367C
	2-12 MT	440154C	R9624S-2	471374C	440153C	L96240S-2	471373C
2	2 NPT	440467C	R9700S	471554C	440466C	L9700S	471553C
2-1/2	2-1/2 NPT	440575C	R9800S	471556C	440574C	L9800S	471555C
3	3 NPT	440495C	R9900S	471558C	440494C	L9900S	471557C

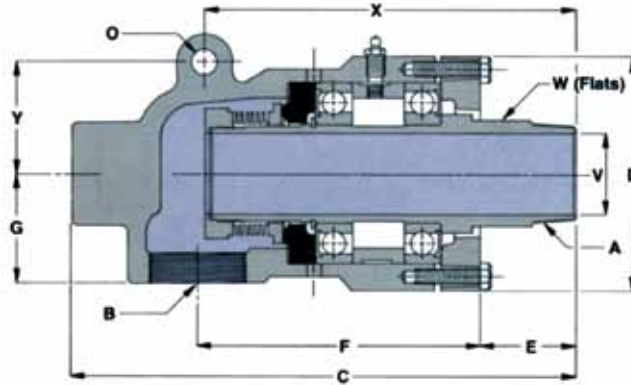
Part Numbers - 9000 Series Rotary Unions • Dual Flow Rotating Siphon

Nominal Pipe Size	Shaft Thread (A)	Right Hand Thread			Left Hand Thread		
		Part Number	Description	Repair Cartridge	Part Number	Description	Repair Cartridge
1/2	1/2 NPT	730400C	R225-4	441630C	730399C	L225-4	441629C
	3/4-14	730406C	XR225-4	441632C	730405C	XL225-4	441631C
	3/4-16	730408C	XR225-4	441634C	730407C	XL225-4	441633C
	7/8-14	730414C	XR225-4	441636C	730413C	XL225-4	441635C
	7/8-16	730644C	XR225-4	441709C	730643C	XL225-4	441708C
3/4	3/4-14	730336C	R325-2	441597C	730335C	L325-2	441596C
	1-14	730342C	XR325-2	441599C	730341C	XL325-2	441598C
1	1 NPT	730307C	R425-10	441579C	730306C	L425-10	441578C
	1-1/2-12	730315C	XR425-10	441583C	730314C	XL425-10	441582C
	1-1/4-12	730313C	XR425-10	441581C	730312C	XL425-10	441580C
1-1/4	1-1/4 NPT	440334C	R9525-20	471460C	440333C	L9525-20	471459C
	1-5/8-12 MT	440336C	XR9525-20	471464C	440335C	XL9525-20	471463C
1-1/2	1-1/2 NPT	440251C	R9625-30	471364C	440250C	L9625-30	471363C
	2-12 MT	440438C	XR9625-30	471374C	440437C	XL9625-30	471373C
	2-8 MT	440449C	XR9625-30	471368C	440448C	XL9625-30	471367C
2	2 NPT	440475C	R9725-30	471554C	440474C	L9725-30	471553C
2-1/2	2-1/2 NPT	440585C	R9825-40	471556C	440584C	L9825-40	471555C
3	3 NPT	440587C	R9925-50	471558C	440586C	L9925-50	471557C

ROTARY UNION

9000 SERIES

GENERAL PURPOSE

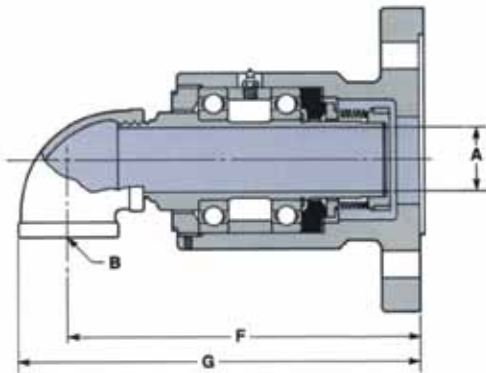


Dimensions - 9000 Series Rotary Unions • Mono Flow (Inch)

Nominal Pipe Size	Thread (A)	Inlet B (NPT)	C	D	E	F	G	V	W	O	Y	X
1/4	1/4 NPT	1/4	4-3/8	1-3/4	1-1/8	2-9/16	1-1/16	1/4	5/8	—	—	—
	9/16-18 MT											
	5/8-18 MT											
3/8	3/8 NPT	3/8	4-3/8	1-3/4	1-1/8	2-9/16	1-1/16	3/8	11/16	—	—	—
	5/8-18 MT											
1/2	1/2 NPT	1/2	5	2-3/8	1-1/2	2-3/4	1-1/4	1/2	15/16	—	—	—
	3/4-16 MT											
	7/8-14 MT											
	3/4-14 MT											
3/4	3/4 NPT	3/4	5-1/2	2-1/2	1-5/8	3	1-7/16	3/4	1-3/4	—	—	—
	1-14 MT											
1	1 NPT	1	6-1/8	3	1-3/4	3-3/8	1-3/4	1	1-11/32	—	—	—
	1-1/4-12 MT											
1-1/4	1-1/4 NPT	1-1/4	9-1/16	3-3/4	2-1/16	4-13/16	2-3/16	1-1/4	1-11/16	5/8	2	6-7/8
	1-5/8-8 MT		8-15/16		1-15/16							6-3/4
	1-5/8-12 MT											
1-1/2	1-1/2 NPT	1-1/2	9-11/16	4/18	2-3/16	5-1/4	2-3/16	1-1/2	1-15/16	5/8	2-1/4	7-3/4
	2-8 MT		10-1/4		2-3/4							7-15/16
	2-12 MT											
2	2 NPT	2	11-3/4	5-7/8	2-7/16	6-7/8	2-5/8	2	2-9/16	5/8	2-3/4	8-9/16
2-1/2	2-1/2 NPT	2-1/2	13-7/8	6-1/2	3-1/2	7-3/16	3-3/8	2-1/2	3	—	—	—
	3 NPT		15-3/8	7-1/8	3-1/2	8-5/16	3-7/8	3	3-5/8	—	—	—
3	3 NPT	3	15-3/8	7-1/8	3-1/2	8-5/16	3-7/8	3	3-5/8	—	—	—
	3-1/2-8 MT		15-3/4		3-7/8					—	—	—

Dimensions - Mono Flow (Inch) • Flanged

Nominal Pipe Size	Shaft ID (A)	Part Number	Description	Repair Cartridge
1-1/4	1-1/4	Consult Factory	570P-1-U	Consult Factory
1-1/2	1-1/2		670P-1-U	
2	2		770P-1-U	
2-1/2	2-3/8		870P-1-U	
3	2-7/8		970P-1-U	
4	4	1070-P-U		
5	5	1170-P-U		




Models
Added

Dimensions - Mono Flow (Inch) • Flanged

Nominal Pipe Size	Inlet (B)	F	G
1-1/4	1-1/4 NPT	8-7/16	9-1/2
1-1/2	1-1/2 NPT	8-13/16	10-1/8
2	2 NPT	10-5/8	12-1/16
2-1/2	2-1/2 NPT	12	13-13/16
3	3 NPT	14-1/16	16-1/4
4	4 Flange	438 mm	Consult Factory
5	5 Flange	545 mm	