

ROTARY UNION

9000 SERIES

GENERAL PURPOSE



**MODELS
ADDED**

Operating Parameters

| MEDIA |
|--|
| Steam, Hot Oil, Water |
| PRESSURE* |
| 250 psi (Water), 175 psi (Steam), 100 psi (Hot Oil) |
| TEMPERATURE* |
| 600° F (Hot Oil), 378° F (Steam) |
| SPEED* |
| 700 RPM |
| THREADS |
| <ul style="list-style-type: none"> • 1/4 Inch to 3 Inch NPT • BSP Threads Available • Flanged |
| MATERIAL |
| <ul style="list-style-type: none"> • Cast Iron Housing with Stainless Steel or Plated Sleeve • Steel Shaft |
| CONFIGURATION OPTIONS |
| Mono Flow and Dual Flow Configurations Available |

* See Performance Charts For Details

FEATURES & BENEFITS

Advanced Sealing System

- The Bellows Sealing System provides superior sealing performance throughout the wear life of the Rotary Union.

Superior Alignment

- Dual bearings available in all sizes over 1 1/4" to provide superior alignment.

Resists Debris Build-Up

- Compared to seals utilizing springs, the 9000 series bellows sealing system is more resistant to debris in contaminated media, which reduces clogging.

Easy Mounting

- The flange attaches directly to the machine journal, providing inherently concentric mounting, minimizing overhang, and partially relieving bearing load to increase service life.

Part Numbers - 9000 Series Rotary Unions • Mono Flow

| Nominal Pipe Size | Shaft Thread (A) | Right Hand Thread | | | Left Hand Thread | | |
|-------------------|------------------|-------------------|-------------|------------------|------------------|-------------|------------------|
| | | Part Number | Description | Repair Cartridge | Part Number | Description | Repair Cartridge |
| 1/4 | 1/4 NPT | 730432C | R030P | 441647C | 730431C | L030P | 441646C |
| | 9/16-18 MT | 730434C | R024P | 441647C | 730433C | L024P | 441648C |
| 3/8 | 3/8 NPT | 730444C | R100P | 441659C | 730443C | L100P | 441658C |
| | 5/8-18 MP | 730446C | R100P | 441661C | 730445C | L124P | 441660C |
| 1/2 | 1/2 NPT | 730396C | R200P | 441630C | 730395C | L200P | 441629C |
| | 3/4-16 MT | 730402C | R224P | 441634C | 730401C | L224P | 441633C |
| | 7/8-14 MT | 730410C | R224P | 441636C | 730409C | L224P | 441635C |
| | 3/4-14 MT | 730639C | R224P | 441632C | 730638C | L224P | 441631C |
| 3/4 | 7/8-16 MT | 730641C | R224P | 441709C | 730640C | L224P | 441708C |
| | 3/4 NPT | 730332C | R300P | 441597C | 730331C | L300P | 441596C |
| 1 | 1-14 MT | 730338C | R324P | 441599C | 730337C | L324P | 441598C |
| | 1 NPT | 730303C | R400P | 441579C | 730302C | L400P | 441578C |
| 1-1/4 | 1-1/4-12 MT | 730309C | R424P | 441581C | 730308C | L424P | 441580C |
| | 1-1/4 NPT | 440320C | R9500P | 471460C | 440319C | L9500P | 471459C |
| | 1-5/8-8 MT | 440326C | R9524P-3 | 471462C | 440325C | L9524P-3 | 471461C |
| | 1-5/8-12 MT | 440324C | R9524P-2 | 471464C | 440323C | L9524P-2 | 471463C |
| 1-1/2 | 1-1/2 NPT | 440144C | R9600P | 471364C | 440143C | L9600P | 471363C |
| | 2-8 MT | 440148C | R9624P-3 | 471368C | 440147C | L9624P-3 | 471367C |
| | 2-12 MT | 440152C | R9624P-2 | 471374C | 440151C | L96240P-2 | 471373C |
| 2 | 2 NPT | 440465C | R97004P | 471554C | 440464C | L9700P | 471553C |
| 2-1/2 | 2-1/2 NPT | 440535C | R9800P | 471556C | 440534C | L9800P | 471555C |
| 3 | 3 NPT | 440493C | R9900P | 471558C | 440492C | L9900P | 471557C |
| | 3-1/2-8 MT | 440499C | R9924P-3 | 471644C | 440498C | L9924P-3 | 471643C |

Part Numbers - 9000 Series Rotary Unions • Dual Flow

| Nominal Pipe Size | Shaft Thread (A) | Right Hand Thread | | | Left Hand Thread | | |
|-------------------|------------------|-------------------|-------------|------------------|------------------|-------------|------------------|
| | | Part Number | Description | Repair Cartridge | Part Number | Description | Repair Cartridge |
| 1/2 | 1/2 NPT | 730398C | R200S | 441630C | 730397C | L200S | 441629C |
| | 3/4-16 MT | 730404C | R224S | 441634C | 730403C | L224S | 441633C |
| | 7/8-14 MT | 730412C | R224S | 441636C | 730411C | L224S | 441635C |
| 3/4 | 3/4 NPT | 730334C | R300S | 441597C | 730333C | L300S | 441596C |
| | 1-14 MT | 730340C | R324S | 441599C | 730339C | L324S | 441598C |
| 1 | 1 NPT | 730305C | R400S | 441579C | 730304C | L400S | 441578C |
| | 1-1/4-12 MT | 730311C | R424S | 441581C | 730310C | L424S | 441580C |
| 1-1/4 | 1-1/4 NPT | 440322C | R9500S | 471460C | 440321C | L9500S | 471459C |
| | 1-5/8-8 MT | 440330C | R9524S-3 | 471462C | 440329C | L9524S-3 | 471461C |
| | 1-5/8-12 MT | 440328C | R9524S-2 | 471464C | 440327C | L9524S-2 | 471463C |
| 1-1/2 | 1-1/2 NPT | 440146C | R9600S | 471364C | 440145C | L9600S | 471363C |
| | 2-8 MT | 440150C | R9624S-3 | 471368C | 440149C | L9624S-3 | 471367C |
| | 2-12 MT | 440154C | R9624S-2 | 471374C | 440153C | L96240S-2 | 471373C |
| 2 | 2 NPT | 440467C | R9700S | 471554C | 440466C | L9700S | 471553C |
| 2-1/2 | 2-1/2 NPT | 440575C | R9800S | 471556C | 440574C | L9800S | 471555C |
| 3 | 3 NPT | 440495C | R9900S | 471558C | 440494C | L9900S | 471557C |

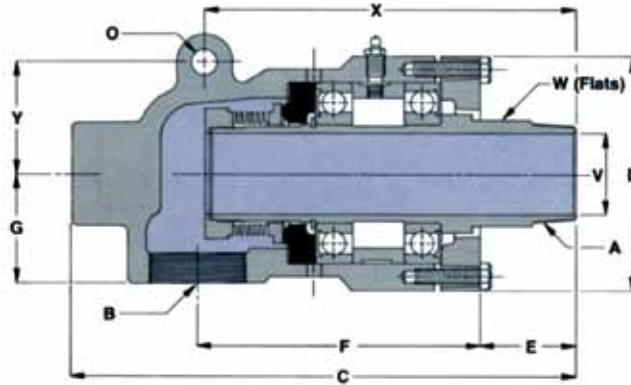
Part Numbers - 9000 Series Rotary Unions • Dual Flow Rotating Siphon

| Nominal Pipe Size | Shaft Thread (A) | Right Hand Thread | | | Left Hand Thread | | |
|-------------------|------------------|-------------------|-------------|------------------|------------------|-------------|------------------|
| | | Part Number | Description | Repair Cartridge | Part Number | Description | Repair Cartridge |
| 1/2 | 1/2 NPT | 730400C | R225-4 | 441630C | 730399C | L225-4 | 441629C |
| | 3/4-14 | 730406C | XR225-4 | 441632C | 730405C | XL225-4 | 441631C |
| | 3/4-16 | 730408C | XR225-4 | 441634C | 730407C | XL225-4 | 441633C |
| | 7/8-14 | 730414C | XR225-4 | 441636C | 730413C | XL225-4 | 441635C |
| | 7/8-16 | 730644C | XR225-4 | 441709C | 730643C | XL225-4 | 441708C |
| 3/4 | 3/4-14 | 730336C | R325-2 | 441597C | 730335C | L325-2 | 441596C |
| | 1-14 | 730342C | XR325-2 | 441599C | 730341C | XL325-2 | 441598C |
| 1 | 1 NPT | 730307C | R425-10 | 441579C | 730306C | L425-10 | 441578C |
| | 1-1/2-12 | 730315C | XR425-10 | 441583C | 730314C | XL425-10 | 441582C |
| | 1-1/4-12 | 730313C | XR425-10 | 441581C | 730312C | XL425-10 | 441580C |
| 1-1/4 | 1-1/4 NPT | 440334C | R9525-20 | 471460C | 440333C | L9525-20 | 471459C |
| | 1-5/8-12 MT | 440336C | XR9525-20 | 471464C | 440335C | XL9525-20 | 471463C |
| 1-1/2 | 1-1/2 NPT | 440251C | R9625-30 | 471364C | 440250C | L9625-30 | 471363C |
| | 2-12 MT | 440438C | XR9625-30 | 471374C | 440437C | XL9625-30 | 471373C |
| | 2-8 MT | 440449C | XR9625-30 | 471368C | 440448C | XL9625-30 | 471367C |
| 2 | 2 NPT | 440475C | R9725-30 | 471554C | 440474C | L9725-30 | 471553C |
| 2-1/2 | 2-1/2 NPT | 440585C | R9825-40 | 471556C | 440584C | L9825-40 | 471555C |
| 3 | 3 NPT | 440587C | R9925-50 | 471558C | 440586C | L9925-50 | 471557C |

ROTARY UNION

9000 SERIES

GENERAL PURPOSE

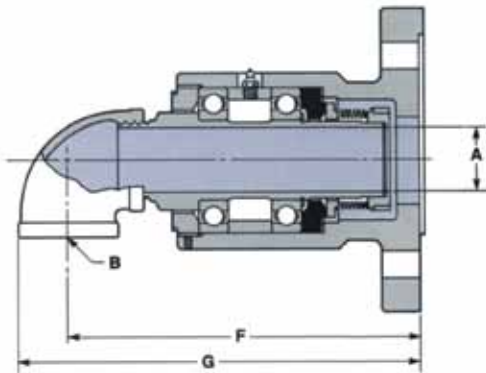


Dimensions - 9000 Series Rotary Unions • Mono Flow (Inch)

| Nominal Pipe Size | Thread (A) | Inlet B (NPT) | C | D | E | F | G | V | W | O | Y | X |
|-------------------|-------------|---------------|---------|-------|---------|---------|--------|-------|---------|-----|-------|---------|
| 1/4 | 1/4 NPT | 1/4 | 4-3/8 | 1-3/4 | 1-1/8 | 2-9/16 | 1-1/16 | 1/4 | 5/8 | — | — | — |
| | 9/16-18 MT | | | | | | | | | | | |
| | 5/8-18 MT | | | | | | | | | | | |
| 3/8 | 3/8 NPT | 3/8 | 4-3/8 | 1-3/4 | 1-1/8 | 2-9/16 | 1-1/16 | 3/8 | 11/16 | — | — | — |
| | 5/8-18 MT | | | | | | | | | | | |
| 1/2 | 1/2 NPT | 1/2 | 5 | 2-3/8 | 1-1/2 | 2-3/4 | 1-1/4 | 1/2 | 15/16 | — | — | — |
| | 3/4-16 MT | | | | | | | | | | | |
| | 7/8-14 MT | | | | | | | | | | | |
| | 3/4-14 MT | | | | | | | | | | | |
| 3/4 | 3/4 NPT | 3/4 | 5-1/2 | 2-1/2 | 1-5/8 | 3 | 1-7/16 | 3/4 | 1-3/4 | — | — | — |
| | 1-14 MT | | | | | | | | | | | |
| 1 | 1 NPT | 1 | 6-1/8 | 3 | 1-3/4 | 3-3/8 | 1-3/4 | 1 | 1-11/32 | — | — | — |
| | 1-1/4-12 MT | | | | | | | | | | | |
| 1-1/4 | 1-1/4 NPT | 1-1/4 | 9-1/16 | 3-3/4 | 2-1/16 | 4-13/16 | 2-3/16 | 1-1/4 | 1-11/16 | 5/8 | 2 | 6-7/8 |
| | 1-5/8-8 MT | | 8-15/16 | | 1-15/16 | | | | | | | 6-3/4 |
| | 1-5/8-12 MT | | | | | | | | | | | |
| 1-1/2 | 1-1/2 NPT | 1-1/2 | 9-11/16 | 4/18 | 2-3/16 | 5-1/4 | 2-3/16 | 1-1/2 | 1-15/16 | 5/8 | 2-1/4 | 7-3/4 |
| | 2-8 MT | | 10-1/4 | | 2-3/4 | | | | | | | 7-15/16 |
| | 2-12 MT | | | | | | | | | | | |
| 2 | 2 NPT | 2 | 11-3/4 | 5-7/8 | 2-7/16 | 6-7/8 | 2-5/8 | 2 | 2-9/16 | 5/8 | 2-3/4 | 8-9/16 |
| 2-1/2 | 2-1/2 NPT | 2-1/2 | 13-7/8 | 6-1/2 | 3-1/2 | 7-3/16 | 3-3/8 | 2-1/2 | 3 | — | — | — |
| | 3 NPT | | 15-3/8 | 7-1/8 | 3-1/2 | 8-5/16 | 3-7/8 | 3 | 3-5/8 | — | — | — |
| 3 | 3 NPT | 3 | 15-3/8 | 7-1/8 | 3-1/2 | 8-5/16 | 3-7/8 | 3 | 3-5/8 | — | — | — |
| | 3-1/2-8 MT | | 15-3/4 | | 3-7/8 | | | | | — | — | — |

Dimensions - Mono Flow (Inch) • Flanged

| Nominal Pipe Size | Shaft ID (A) | Part Number | Description | Repair Cartridge |
|-------------------|--------------|-----------------|-------------|------------------|
| 1-1/4 | 1-1/4 | Consult Factory | 570P-1-U | Consult Factory |
| 1-1/2 | 1-1/2 | | 670P-1-U | |
| 2 | 2 | | 770P-1-U | |
| 2-1/2 | 2-3/8 | | 870P-1-U | |
| 3 | 2-7/8 | | 970P-1-U | |
| 4 | 4 | 1070-P-U | | |
| 5 | 5 | 1170-P-U | | |



Models Added

Dimensions - Mono Flow (Inch) • Flanged

| Nominal Pipe Size | Inlet (B) | F | G |
|-------------------|-----------|---------|-----------------|
| 1-1/4 | 1-1/4 NPT | 8-7/16 | 9-1/2 |
| 1-1/2 | 1-1/2 NPT | 8-13/16 | 10-1/8 |
| 2 | 2 NPT | 10-5/8 | 12-1/16 |
| 2-1/2 | 2-1/2 NPT | 12 | 13-13/16 |
| 3 | 3 NPT | 14-1/16 | 16-1/4 |
| 4 | 4 Flange | 438 mm | Consult Factory |
| 5 | 5 Flange | 545 mm | |