



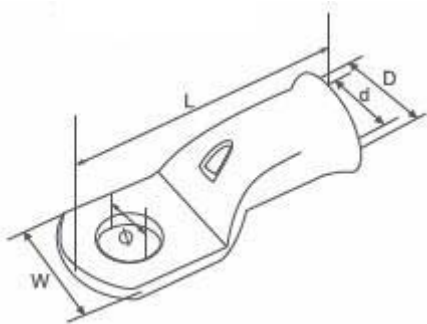
Professionally approved products.

Product Datasheet

FLARED ENTRY COPPER TUBE TERMINALS

EN



Specification
MATERIAL: HIGH CONDUCTIVITY COPPER TO BS2871
PURITY: >99.9%
COATING: TIN
Features: FLARED ENTRY
Dimensions


| RS CODE | SIZE | STUD | Φ | D | d | W | L |
|---------|-------------------|------|------|------|------|------|------|
| | (mm) ² | | | | | | |
| 8417601 | 10 | 5 | 5.3 | 6.6 | 4.5 | 11 | 30 |
| 8417605 | | 6 | 6.5 | 6.6 | | 11 | 30 |
| 8417614 | | 8 | 8.3 | 6.6 | | 12.5 | 30 |
| 8417617 | 16 | 6 | 6.5 | 7.5 | 5.5 | 11 | 30.7 |
| 8417611 | | 8 | 8.3 | 7.5 | | 12.5 | 30.7 |
| 8417620 | 25 | 6 | 6.5 | 9.1 | 6.7 | 13 | 32.2 |
| 8417623 | | 8 | 8.3 | | | 13 | 32.2 |
| 8417627 | | 10 | 10.3 | | | 16 | 36.9 |
| 8417636 | 35 | 8 | 8.3 | 11 | 8.6 | 16 | 37.6 |
| 8417639 | | 10 | 10.3 | | | 17 | 41.5 |
| 8417633 | 50 | 10 | 10.3 | 12.4 | 9.5 | 18 | 44 |
| 8417642 | | 12 | 12.7 | | | 19 | 44 |
| 8417645 | 70 | 10 | 10.3 | 15 | 12 | 22.5 | 52.4 |
| 8417649 | | 12 | 12.7 | | | 22.5 | 52.4 |
| 8417658 | 95 | 10 | 10.3 | 17 | 13.4 | 25 | 54.7 |
| 8417651 | | 12 | 12.7 | | | 25 | 54.7 |
| 8417655 | 120 | 10 | 10.3 | 19 | 15 | 27.5 | 60 |
| 8417664 | | 12 | 12.7 | | | 27.5 | 60 |
| 8417667 | 150 | 10 | 10.3 | 21.2 | 16.5 | 30.8 | 67 |
| 8417661 | | 12 | 12.7 | | | 30.8 | 67 |